

Thank you for purchasing LS Variable Frequency Drives!

SAFETY INSTRUCTIONS

To prevent injury and property damage, follow these instructions during the installation and operation of the inverter.

Incorrect operation due to ignoring these instructions may cause harm or damage. The following symbols are used throughout the manual to highlight important information.



DANGER

This symbol indicates death or serious injury can occur if you do not follow instructions.



WARNING

This symbol indicates the possibility of death or serious injury.



CAUTION

This symbol indicates the possibility of damage to the inverter or other components.

■ The meaning of each symbol in this manual and on your equipment is as follows.



This is the safety alert symbol.

Read and follow instructions carefully to avoid a dangerous situation.



This symbol alerts the user to the presence of “dangerous voltage” inside the product that might cause bodily harm or electric shock.

■ This manual should be placed in a location where it can be accessed by users.

■ This manual should be given to the person who actually uses the inverter and is responsible for its maintenance.



WARNING

- **Do not remove the cover while power is applied or the unit is in operation.**
Otherwise, electric shock could occur.
- **Do not operate the inverter with the front cover removed.**
Otherwise, electric shock can occur due to the exposed terminals and bus bars.
- **Do not remove the cover except for periodic inspections or wiring, even if the input power is not applied.**
Otherwise, electric shock can occur due to accessing capacitor banks.
- **Wiring and periodic inspections should be performed at least 10 minutes after disconnecting the input power and after checking the DC link voltage is discharged with a meter (below 30VDC).**
Otherwise, electric shock could occur.
- **Operate the switches with dry hands.**
Otherwise, electric shock could occur.
- **Do not use the cable when its insulating tube is damaged.**
Otherwise, electric shock could occur.
- **Do not subject the cables to scratches, excessive stress, heavy loads or pinching.**
Otherwise, electric shock could occur.



CAUTION

- **Install the inverter on a non-flammable surface. Do not place flammable materials nearby.**
Otherwise, fire could occur.
- **Disconnect the input power if the inverter has been damaged.**
Otherwise, it could result in a secondary accident and fire.
- **Do not touch the inverter after shutting down or disconnecting it. It will remain hot for a couple of minutes.**
Otherwise, bodily injuries such as skin-burn or damage could occur.
- **Do not apply power to a damaged inverter or to an inverter with parts missing even if the installation is complete.**
Otherwise, electric shock could occur.

Do not allow lint, paper, wood chips, dust, metallic chips or other foreign material into the drive.

Otherwise, fire or accident could occur.

- **Equipment is intended for installation in closed electrical operating areas only**
- **On User’s Manual it shall be made clear that maintenance adjustments should be made by qualified personnel.**

OPERATING PRECAUTIONS

(1) Handling and installation

- The iP5A series inverter can be heavy. Lift according to the weight of the product. Use a hoist or crane to move and install the iP5A series inverter if necessary. Failure to do so may result in personal injury or damage to the inverter.
- Do not stack the inverter boxes higher than the number recommended.
- Install the inverter according to instructions specified in this manual.
- Do not open the cover during delivery.
- Do not place heavy items on the inverter.
- Check that the inverter mounting orientation is correct.
- Do not drop the inverter, or subject it to hard impact.
- Verify the ground impedance 100ohm or less for 230 V Class inverters and 10ohm or less for 460V class inverters.
- Take protective measures against ESD (Electrostatic Discharge) before touching the pcb boards during inspection, installation or repair.
- The inverter is designed for use under the following environmental conditions:

Environment	Ambient temp.	- 10 ~ 50 °C (14°F ~ 122°F) Decrease 2% of rated current for every 1 °C increase in above 40 °C.
	Relative humidity	90% Relative Humidity or less (non-condensing)
	Storage temp.	- 20 ~ 65 °C (-4°F ~ 149°F)
	Location	Protected from corrosive gas, combustible gas, oil mist or dust (Pollution Degree 2 Environment)
	Altitude, Vibration	Max. 1,000m (3,300ft) above sea level, Max. 5.9m/sec ² (0.6G) or less
	Atmospheric pressure	70 ~ 106 kPa (20.67 in Hg ~ 31.3 in Hg)

(2) Wiring

- Do not connect power factor correction capacitors, surge suppressors, or RFI filter to the output of the inverter.
- The connection orientation of the motor output cables U, V, W will affect the direction of rotation of the motor. Verify correct wiring before starting inverter.
- Incorrect terminal wiring could result in inverter and/or equipment damage.
- Reversing the polarity (+/-) of the terminals could damage the inverter.
- Only authorized personnel familiar with LS inverter should perform wiring and inspections.

- Always install the inverter before wiring. Otherwise, electric shock or bodily injury can occur.
- Wire insulation recommended for main power circuits.(Refer to Appendix A)

(3) Trial run

- Check all parameters during operation. Parameter values might require adjustment depending on the application.
- Always apply voltage within the permissible range of each terminal as indicated in this manual. Otherwise, inverter damage may result.

(4) Operation precautions

- When the Auto restart function is selected, the inverter will restart after a fault has occurred.
- The Stop key on the keypad can only be used to stop the inverter when keypad control is enabled. Install a separate emergency stop switch if necessary.
- If a fault reset is made with the run command and /or reference signal present, a sudden start will occur. Check that the run command and /or reference signal is turned off in advance of resetting any faults. Otherwise an accident could occur.
- Do not modify the inverter.
- Depending on the motor specifications and user ETH overload settings, the motor may not be protected by electronic thermal function of inverter.
- The operation of the inverter is intended to be controlled by either keypad command or control input signals. Do not use a magnetic contactor or any other device that routinely disconnects the inverter and reconnects the inverter to the input supply power for the purpose of starting and stopping the motor.
- A noise filter may be installed to reduce the effect of electromagnetic interference. Otherwise nearby electronic equipment may be affected.
- In cases with input voltage unbalances, install an AC input reactor.
- Power Factor capacitors and generators may become overheated and damaged due to harmonics created by the inverter.
- Use an insulation-rectified motor or take measures to suppress the micro surge voltage when driving 460V class motor with inverter. A micro surge voltage attributable to wiring constant is generated at motor terminals, and may deteriorate insulation and damage motor.
- Before operating unit and prior to user programming, reset user parameters to default settings.
- The Inverter can be set to operate a motor at high-speeds. Verify the speed capability of motor and machinery prior to operating inverter.
- Holding torque is not produced when using the DC-Brake function. Install separate equipment when holding torque is required.

(5) Fault prevention precautions

- If required, provide a safety backup such as an emergency mechanical brake to prevent any hazardous conditions if the inverter fails during operation.

(6) Maintenance, inspection and parts replacement

- Do not megger (hi-pot or insulation resistance) test the power or control circuit of the inverter.
- Refer to Chapter 8 for periodic inspection and parts replacement details.

(7) Disposal

- Handle the inverter as an industrial waste when disposing of it.

(8) General instructions

Many of the diagrams and drawings in this instruction manual show the inverter without a cover. Prior to operating the unit, be sure to restore covers and circuit protection according to specifications.

(9) Protective requirements

The accessible connections and parts listed below are of protective class 0, it means that the protection of these circuits relies only upon basic insulation and becomes hazardous in the event of a failure of the basic insulation. Therefore, devices connected to these circuits must provide electrical-shock protection as if the device was connected to supply mains voltage. In addition, during installation these parts must be considered, in relation with electrical-shock, as supply mains voltage circuits.

This applies to the following circuits :

STARTING CONTACT FUNCTION SELECT

M1, M2, M3, FX [M7], RX [M8], JOG [M6], BX [M5], RST [M4], CM, 24

ANALOG FREQUENCY SETTING

V+, V-, I, A0, B0, 5G (~30kW), CM(37kW~)

EXTERNAL MOTOR THERMAL DETECTION

NT (~30kW), ET (37kw ~), 5G

BUILT-IN RS485 TERMINAL

C+, C-, CM

ANALOG OUTPUT

S0, S1, 5G

CONTACT

3A, 3C, 3B, "A1~4, C1~4"

CONSOLE PORT

FAN CIRCUITS

Table of Contents

CHAPTER 1 - BASIC INFORMATION	1-1
1.1 INSPECTION.....	1-1
1.2 BASIC CONFIGURATION	1-2
CHAPTER 2 - SPECIFICATION	2-1
2.1 200~230V CLASS (0.75~30kW / 1~40HP).....	2-1
2.2 380~480V CLASS (0.75~30kW / 1~40HP)	2-1
2.3 525~600V CLASS (5.5~30kW / 7.5~40HP).....	2-2
2.4 380 ~ 480V CLASS (37~90kW / 50~125HP)	2-2
2.5 525 ~ 600V CLASS (37~90kW / 50~150HP)	2-3
380 ~ 480V CLASS (110~450kW / 150~600HP)	2-3
2.6 COMMON SPECIFICATIONS	2-4
2.7 DIMENSIONS.....	2-6
CHAPTER 3 - INSTALLATION.....	3-1
3.1 INSTALLATION PRECAUTIONS	3-1
3.2 WIRING	3-4
CHAPTER 4 - OPERATION.....	4-1
4.1 PROGRAMMING KEYPADS	4-1
1.1 SET.....	4-2
4.2 OPERATING EXAMPLE	4-7
4.3 VARIOUS FUNCTION SETTING & DESCRIPTION	4-12
4.4 OPERATION EXAMPLE	4-18
CHAPTER 5 - PARAMETER LIST	5-1
5.1 PARAMETER GROUPS	5-1
5.2 PARAMETER LIST	5-2
CHAPTER 6 - PARAMETER DESCRIPTION.....	6-1
6.1 DRIVE GROUP [DRV]	6-1
6.2 FUNCTION 1 GROUP [FU1].....	6-8
6.3 FUNCTION 2 GROUP [FU2].....	6-21
6.4 INPUT/OUTPUT GROUP [I/O]	6-33
6.5 APPLICATION GROUP [APP]	6-51
CHAPTER 7 - TROUBLESHOOTING & MAINTENANCE	7-1
7.1 FAULT DISPLAY	7-1
7.2 TROUBLESHOOTING	7-5
7.3 HOW TO CHECK POWER COMPONENTS	7-6
7.4 MAINTENANCE.....	7-8
CHAPTER 8 - OPTIONS	8-1
8.1 OPTION LIST	8-1
8.2 EXTERNAL OPTIONS	8-2
CHAPTER 9 - RS485 COMMUNICATION	9-1
9.1 INTRODUCTION.....	9-1
9.2 SPECIFICATION.....	9-2

9.3 OPERATION.....	9-3
9.4 COMMUNICATION PROTOCOL (RS485).....	9-4
9.5 PARAMETER CODE LIST	9-7
9.6 TROUBLESHOOTING	9-11
9.7 ASCII CODE LIST.....	9-13
CHAPTER 10 - APPLYING DRIVES TO SINGLE-PHASE INPUT APPLICATION.....	10-1
10.1 INTRODUCTION	10-1
10.2 POWER(HP), INPUT CURRENT AND OUTPUT CURRENT	10- 2
10.3 INPUT FREQUENCY AND VOLTAGE TOLERANCE	10- 2
10.4 WIRING AND PERIPHERAL DEVICE	10- 3
10.5 CONSIDERATIONS WHEN USING A THREE-PHASE DRIVE WITH SINGLE-PHASE INPUT.....	10- 4
APPENDIX A- UL MARKING.....	I
APPENDIX B- PERIPHERAL DEVICES.....	V
APPENDIX C- RELATED PARAMETERS	VIII
EMI / RFI POWER LINE FILTERS	X

CHAPTER 1 - BASIC INFORMATION

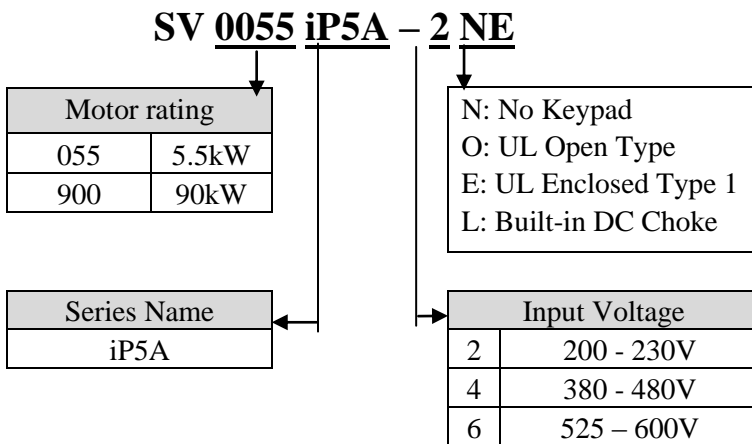
Read and understand this manual before installing, operating or servicing this inverter. The inverter must be installed according to this manual. The following conventions are used to indicate safety messages in this manual Failure to heed these messages could result in serious or possibly even fatal injury or damage to the products or to related equipment and systems.

1.1 Inspection

- Remove the inverter from its packing and inspect its exterior for shipping damage. If damage is apparent notify the shipping agent and your LSIS sales representative.
- Remove the cover and inspect the inverter for any apparent damage or foreign objects. Ensure that all mounting hardware and terminal connection hardware is properly seated, securely fastened, and undamaged.
- Check the nameplate on the iP5A inverter. Verify that the inverter unit is the correct horsepower and input voltage for the application.
- Inverter control is applied for AC asynchronous (Induction Motor) Synchronous motor is excluded.

1.1.1 Inverter model number

The numbering system of the inverter is as shown below.



* UL Open type : UL Open type product must be mounted on the panel in a house.

* UL Enclosed type 1 : UL Enclosed type1 product can be mounted without the panel in a house.

1.1.2 Installation

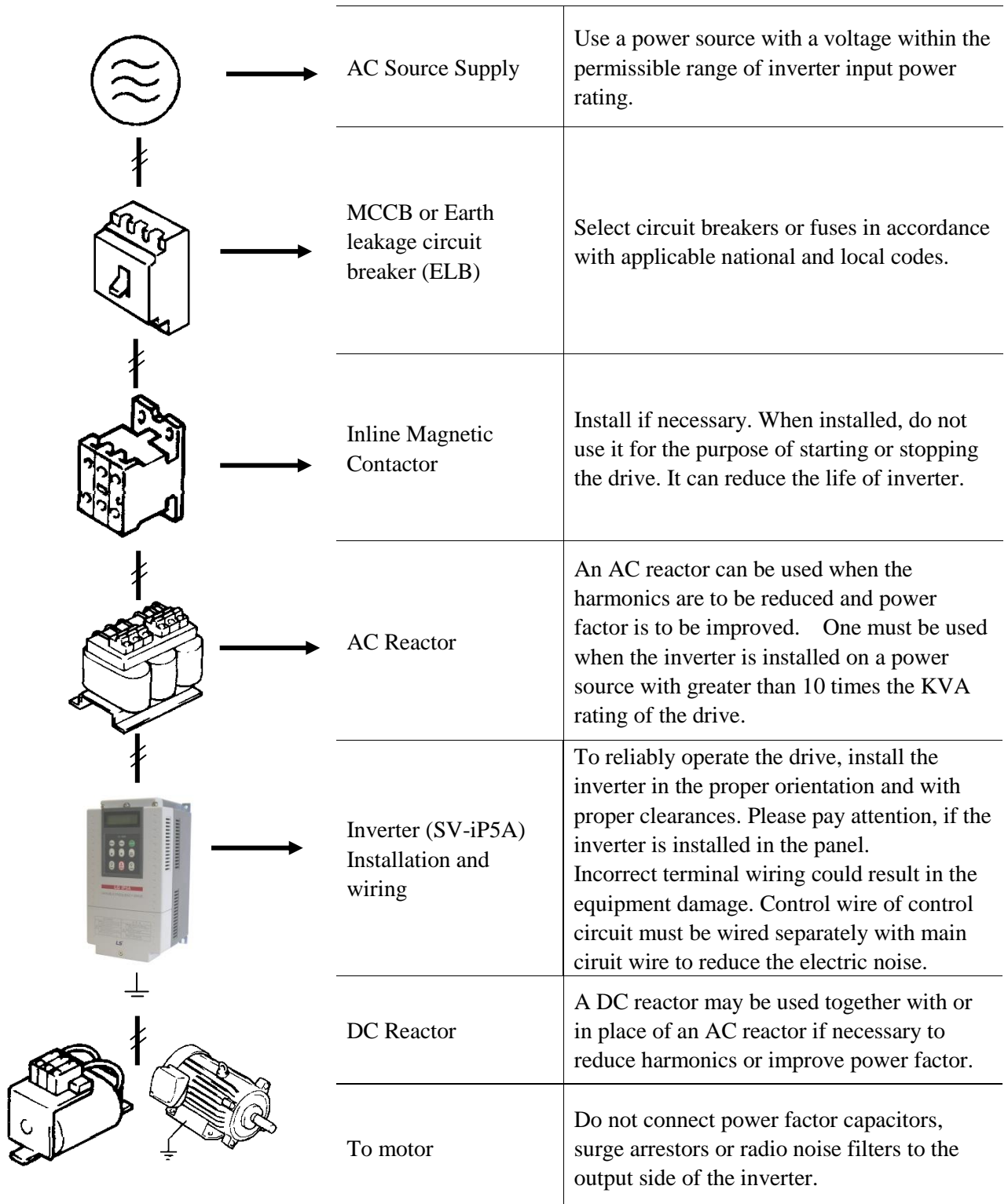
To operate the inverter reliably, install the inverter in a proper place with the correct direction and with the proper clearances.

1.1.3 Wiring

Connect the power supply, motor and operation signals (control signals) to the terminal block. Note that incorrect connection may damage the inverter and peripheral devices.

1.2 Basic configuration

The following devices are required to operate the inverter. Proper peripheral devices must be selected and correct connections made to ensure proper operation. An incorrectly applied or installed inverter can result in system malfunction or reduction in product life as well as component damage. You must read and understand this manual thoroughly before proceeding.



CHAPTER 2 - SPECIFICATION

2.1 200~230V Class (0.75~30kW / 1~40HP)

Model Number (SVxxxIP5A-2)				008	015	022	037	055	075	110	150	185	220	300	
Capacity [kVA] ⁽¹⁾				1.9	3.0	4.6	6.1	9.1	12.2	17.5	22.9	28.2	33.5	43.8	
Output ratings	Fan or pump load	motor rating ⁽²⁾	HP	1	2	3	5	7.5	10	15	20	25	30	40	
			kW	0.75	1.5	2.2	3.7	5.5	7.5	11	15	18.5	22	30	
		Current[A]		5	8	12	16	24	32	46	60	74	88	115	110% 1Minute (Normal Duty)
	General load	motor rating ⁽²⁾	HP	0.5	1	2	3	5	7.5	10	15	20	25	30	
			kW	0.4	0.75	1.5	2.2	3.7	5.5	7.5	11	15	18.5	22	
		Current[A]		2.5	5	8	12	17	23	33	44	54	68	84	150% 1 Minute (Heavy Duty)
	Frequency		0.01 ~ 120 Hz												
Voltage		200 ~ 230 V ⁽³⁾													
Input ratings	Voltage		3φ 200 ~ 230 V (-15% ~ +10 %)												
	Frequency		50/60 Hz (± 5 %)												
Protection degree				IP20 / UL Type1						IP00 / UL Open ⁽³⁾					
Weight [kg (lbs.)]				4.1 (9.0)	4.2 (9.3)	4.2 (9.3)	4.9 (10.8)	4.9 (10.8)	6 (13.2)	6 (13.2)	13 (28.7)	13.5 (29.8)	20 (44.1)	20 (44.1)	

2.2 380~480V Class (0.75~30kW / 1~40HP)

Model Number (SVxxxIP5A-4)				008	015	022	037	055	075	110	150	185	220	300	
Capacity [kVA] ⁽¹⁾				2.0	3.2	4.8	6.4	9.6	12.7	19.1	23.9	31.1	35.9	48.6	
Output ratings	Fan or pump load	motor rating ⁽²⁾	HP	1	2	3	5	7.5	10	15	20	25	30	40	
			kW	0.75	1.5	2.2	3.7	5.5	7.5	11	15	18.5	22	30	
		Current[A]		2.5	4	6	8	12	16	24	30	39	45	61	110% 1Minute (Normal Duty)
	General load	motor rating ⁽²⁾	HP	0.5	1	2	3	5.5	7.5	10	15	20	25	30	
			kW	0.4	0.75	1.5	2.2	3.7	5.5	7.5	11	15	18.5	22	
		Current[A] /Built-in DCR Type		1.25	2.5	4	6	8.8	12	16	22/24	28/30	34/39	44/45	150% 1 Minute (Heavy Duty)
	Frequency		0.01 ~ 120 Hz												
Voltage		380 ~ 480 V ⁽³⁾													
Input ratings	Voltage		3φ 380 ~ 480 V (-15% ~ +10 %)												
	Frequency		50/60 Hz (± 5 %)												
Protection degree				IP20 / UL Type1						IP00 / UL Open ⁽³⁾					
Weight [kg (lbs.)]	Standard Type			4.1 (9.04)	4.2 (9.26)	4.2 (9.26)	4.9 (10.8)	4.9 (10.8)	6 (13.2)	6 (13.2)	12.5 (27.6)	13 (28.7)	20 (44.1)	20 (44.1)	
	Built-in DCL Type			-	-	-	-	-	-	-	19.5 (42.9)	19.5 (42.9)	26.5 (58.3)	26.5 (58.3)	

2.3 525~600V Class (5.5~30kW /7.5~40HP)

Model Number (SVxxxiP5A-6)				055	075	110	150	185	220	300	
Capacity [kVA] ⁽¹⁾				9.6	12.7	19.1	23.9	31.1	35.9	48.6	
Output ratings	Fan or pump load	motor rating ⁽²⁾	HP	7.5	10	15	20	25	30	40	
			kW	5.5	7.5	11	15	18.5	22	30	
		Current [A] (110% overload)		9	12	17	23	27	34	43	110% 1Minute (Normal Duty)
	General load	motor rating ⁽²⁾	HP	5.5	7.5	10	15	20	25	30	
			kW	3.7	5.5	7.5	11	15	18.5	22	
		Current [A] (150% overload)		6.1	9	12	17	23	27	34	150% 1 Minute (Heavy Duty)
	Frequency				0.01 ~ 120 Hz						
	Voltage				525 ~ 600 V ⁽³⁾						
Input ratings	Voltage				3φ 525 ~ 600 V (-15% ~ +10 %)						
	Frequency				50/60 Hz (± 5 %)						
Protection degree				IP20 / UL Type1			IP00 / UL Open ⁽³⁾				
Weight [kg (lbs.)]		Standard Type		6.5 (14.4)	7.0 (15.5)	7.0 (15.5)	11.7 (25.8)	11.7 (25.8)	18.9 (41.7)	18.9 (41.7)	

2.4 380 ~ 480V Class (37~90kW / 50~125HP)

Model Number (SVxxxiP5A-4)				370	450	550	750	900	
Capacity [kVA] ⁽¹⁾				59.8	72.5	87.6	121.1	145.8	
Output ratings	Fan or pump load	motor rating ⁽²⁾	HP	50	60	75	100	125	
			kW	37	45	55	75	90	
		Current[A] (110% overload)		75	91	110	152	183	110% 1 Minute (Normal Duty)
	General load	motor rating ⁽²⁾	HP	40	50	60	75	100	
			kW	30	37	45	55	75	
		Current[A] (150% overload)		61	75	91	110	152	150% 1 Minute (Heavy Duty)
	Frequency				0.01 ~ 120 Hz				
	Voltage				380 ~ 480 V ⁽³⁾				
Input ratings	Voltage				2φ/3φ 380 ~ 480 V (-15% ~ +10 %)				
	Frequency				50/60 Hz (± 5 %)				
Protection degree				IP00 / UL Open ⁽³⁾					
Weight [kg (lbs.)]		Standard Type		27(59.5)	27(59.5)	29(64)	42(92.6)	43(94.8)	
		Built-in DCL Type		39(86)	40(88.2)	42(92.6)	67(147.4)	68(149.9)	

2.5 525 ~ 600V Class (37~90kW / 50~150HP)

Model Number (SVxxxIP5A-6)				0370	0450	0550	0750	0900	1100	
Capacity [kVA] ⁽¹⁾				59.8	72.5	87.6	121.1	145.8	178	
Output ratings	Fan or pump load	motor rating ⁽²⁾	HP	50	60	75	100	125	150	
			kW	37	45	55	75	90	110	
		Current [A] (110% overload)		55	64	80	104	128	150	110% 1 Minute (Normal Duty)
	General load	motor rating ⁽²⁾	HP	40	50	60	75	100	125	
			kW	30	37	45	55	75	90	
		Current [A] (150% overload)		43	55	64	80	104	128	150% 1 Minute (Heavy Duty)
	Frequency				0.01 ~ 120 Hz					
Voltage				525 ~ 600 V ⁽³⁾						
Input ratings	Voltage			3 ϕ 525 ~ 600 V (-15% ~ +10 %)						
	Frequency			50/60 Hz (\pm 5 %)						
Protection degree				IP00 / UL Open ⁽³⁾						
Weight [kg (lbs.)]		Standard Type		32(70.65)	32(70.65)	32(70.65)	46(101.5)	46(101.5)	101(223)	

380 ~ 480V Class (110~450kW / 150~600HP)

Model Number (SVxxxIP5A-4)				1100	1320	1600	2200	2800	3150	3750	4500	
Capacity [kVA] ⁽¹⁾				178	210	259	344	436	488	582	699	
Output ratings	Fan or pump load	motor rating ⁽²⁾	HP	150	200	250	300	350	400	500	600	
			kW	110	132	160	220	280	315	375	450	
		Current[A] (110% overload)		223	264	325	432	547	613	731	877	110% 1 Minute (Normal Duty)
	General load	motor rating ⁽²⁾	HP	125	150	200	250	300	350	400	500	
			kW	90	110	132	160	220	280	315	375	
		Current[A] (150% overload)		183	223	264	325	432	547	613	731	150% 1 Minute (Heavy Duty)
	Frequency				0.01 ~ 120 Hz							
Voltage				380 ~ 480 V ⁽³⁾								
Input ratings	Voltage			2 ϕ /3 ϕ 380 ~ 480 V (-15% ~ +10 %)								
	Frequency			50/60 Hz (\pm 5 %)								
Protection degree				IP00 / UL Open ⁽⁴⁾								
DCL (DC Choke)				Built-in				External Option				
Weight [kg (lbs.)]				101 (222.7)	101 (222.7)	114 (251.3)	200 (441.9)	200 (441.9)	243 (535.7)	380 (837.7)	380 (837.7)	

2.6 Common Specifications

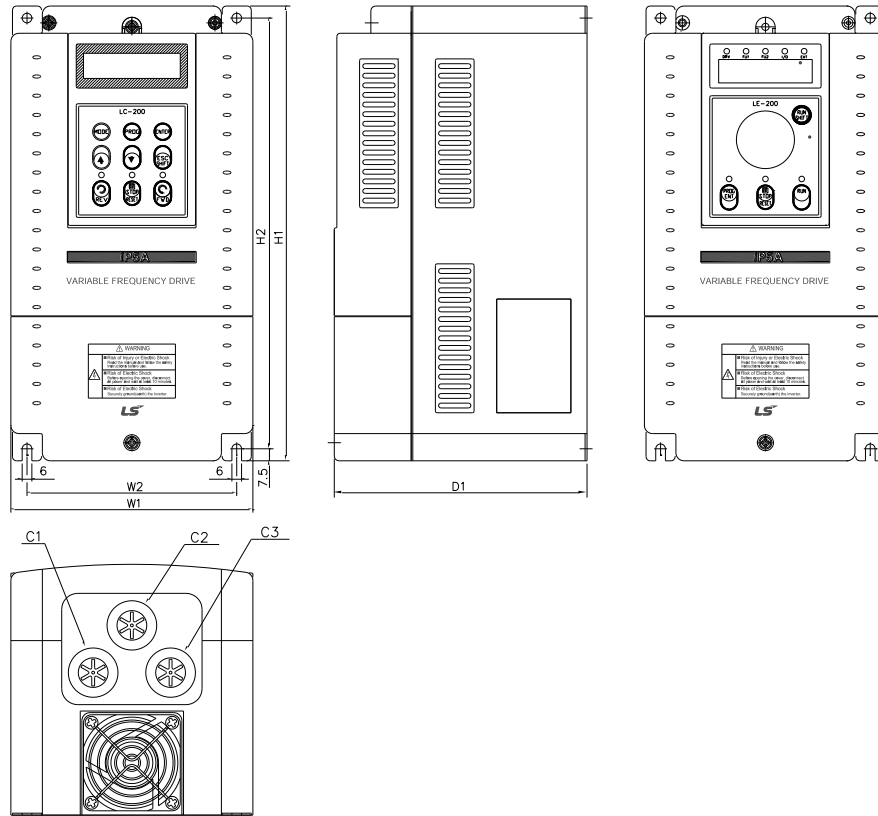
Cooling method		Forced air cooling (Self-cooling for below 1.5kW-2, 2.2kW-4)	
Short Circuit Rating		65kA, suitable for use on a circuit capable of delivering not more than 100,000 RMS Symmetrical amperes, 240 (or 480V) volts maximum	
Agency Approvals		UL and cUL listed, CE marked	
CONTROL	Control Method	V/F, Sensorless Vector, Slip Compensation, Easy Start Selectable	
	Frequency Setting Resolution	Digital Reference: 0.01 Hz (Below 100 Hz), 0.1 Hz (Over 100 Hz) Analog Reference: 0.01 Hz / 60 Hz	
	Frequency Accuracy	Digital: 0.01 % of Max. Output Frequency Analog: 0.1 % of Max. Output Frequency	
	V/F Ratio	Linear, Squared Pattern, User V/F	
	Overload Capacity	110 % per 1 min, 120% per 1 min ⁽⁵⁾	
	Torque Boost	Manual Torque Boost (0 ~ 15 % settable), Auto Torque Boost	
OPERATION	Operation Method	Keypad / Terminal / Communication Operation	
	Frequency Setting	Analog: 0 ~ 12V / -12V ~ 12V / 4 ~ 20mA or 0~20mA/ Pulse / Ext-PID Digital: Keypad	
	Input Signal	Start Signal	Forward, Reverse
		Multi-Step	Up to 18 Speeds can be set including Jog (Use Programmable Digital Input Terminal, Including Jog/Dwell)
		Multi Step Accel/Decel Time	0.1~ 6,000 sec, Max 4 types can be set via Multi- Function Terminal. Accel/Decel Pattern: Linear, U-Curve, S-Curve Selectable
		Emergency Stop	Interrupts the Output of Inverter
		Jog	Jog Operation
		Fault Reset	Trip Status is Reset when Protection Function is Active
	Output signal	Operating Status	Frequency Detection Level, Overload Alarm, Stalling, Over Voltage, Low Voltage, Inverter Overheating/ Running/ Stopping/ Constant running, Inverter By-Pass, Speed Searching
		Fault Output	Contact Output (3A, 3C, 3B) – AC 250V 1A, DC 30V 1A
		Indicator	Choose 2 from Output Frequency, Output Current, Output Voltage, DC Link Voltage (Output Voltage: 0 ~ 10V)
Operation Function	DC Braking, Frequency Limit, Frequency Jump, 2 nd Function, Slip Compensation, Reverse Rotation Prevention, Auto Restart, Inverter By-Pass, Auto-Tuning, PID Control, Flying Start, Safety Stop, Flux Braking, Low leakage, Pre-PID, Dual-PID, MMC, Easy Start, Pre-heater		
PROTECTION	Inverter Trip	Over Voltage, Low Voltage, Over Current, Ground Fault, Inverter Overheat, Motor Overheat, Output Phase Open, Overload Protection, External Fault 1, 2, Communication Error, Loss of Speed Command, Hardware Fault, Option Fault etc	
	Inverter Alarm	Stall Prevention, Overload Alarm, Thermal Sensor Fault	

DISPLAY	Keypad	Operation Information	Output Frequency, Output Current, Output Voltage, Frequency Set Value, Operating Speed, DC Voltage, Integrating Wattmeter, Fan ON time, Run-time, Last Trip Time
		Trip Information	Trips Indication when the Protection Function activates. Max. 5 Faults are saved. Last Trip Time.
ENVIRONMENT	Ambient Temperature	- 10 ~ 50 °C (14°F ~ 122°F) Decrease 2% of rated current for every 1 °C increase in above 40 °C.	
	Storage Temperature	-20 °C ~ 65 °C (14°F ~ 149°F)	
	Ambient Humidity	Less Than 90 % RH Max. (Non-Condensing)	
	Altitude – Vibration	Below 1,000m (3,300ft), Below 5.9m/sec ² (0.6g)	
	Application Site	Pollution degree 2, No Corrosive Gas, Combustible Gas, Oil Mist, or Dust	

- (1) Rated capacity ($\sqrt{3} \times V \times I$) is based on 220V for 200V class and 460V for 400V class.
- (2) Indicates the maximum applicable capacity when using a 4-Pole standard motor.
- (3) IP20 or UL Enclosed Type1 can be provided by the option.
- (4) IP20 or UL Enclosed Type1 is not provided.
- (5) Overload rating 120%, 1 min is based on ambient 25 °C.

2.7 Dimensions

1) SV008~055iP5A (200/400V Class) and SV0055~0110iP5A(600V Class)

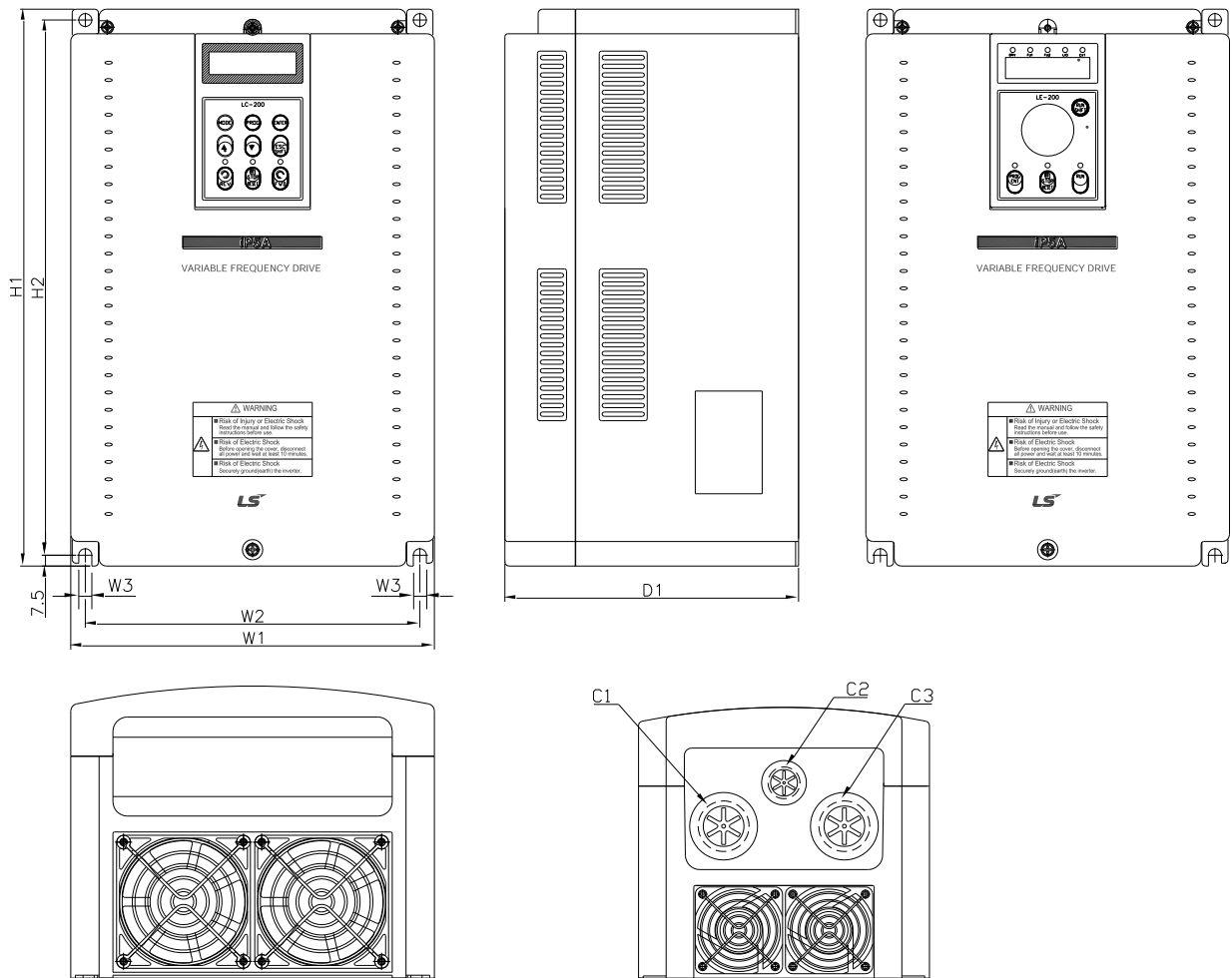


mm

(inches)

Model	W1	W2	H1	H2	D1	C1	C2	C3	Enclosure Type
SV008~055iP5A -2/4	150 (5.91)	130 (5.12)	284 (11.18)	269 (10.69)	156.5 (6.16)	24 (0.98)	24 (0.98)	24 (0.98)	IP20 UL Type 1
SV0055~0110iP 5A-6	200 (7.87)	180 (7.09)	355 (13.98)	340 (13.39)	182.5 (7.19)	28.5 (1.12)	24 (0.94)	28.5 (1.12)	IP 20 UL Type 1

2) SV075~300iP5A (200/400V Class) and SV0150~0300iP5A (600V Class)



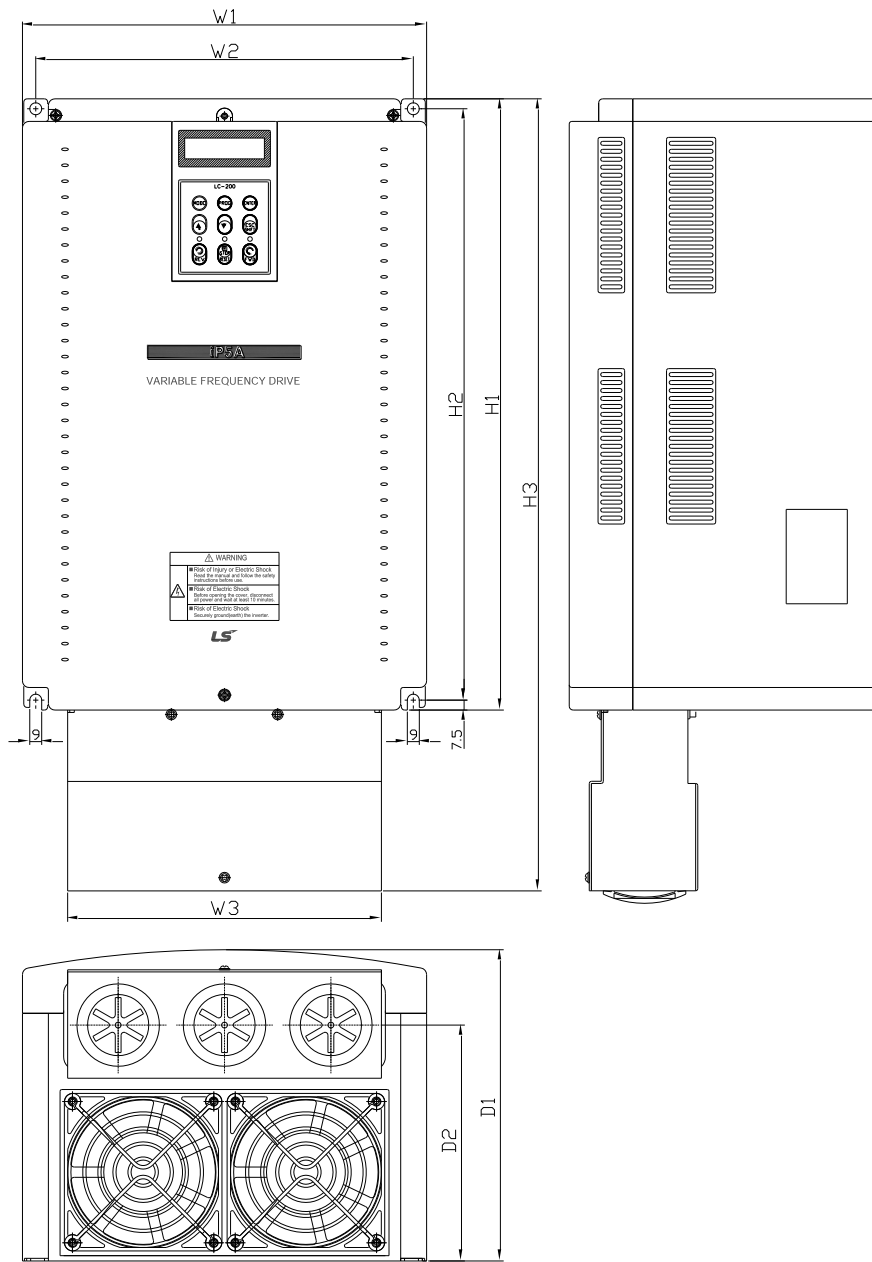
<SV150~300iP5A-2/4>

<SV075~110iP5A-2/4>

mm (inches)

Model	W1	W2	W3	H1	H2	D1	C1	C2	C3	Enclosure Type
SV075iP5A-2/4	200 (7.87)	180 (7.09)	6 (0.23)	284 (11.18)	269 (10.69)	182 (7.16)	35 (1.37)	24 (0.98)	35 (1.37)	IP20 UL Type 1
SV110iP5A-2/4	200 (7.87)	180 (7.09)	6 (0.23)	284 (11.18)	269 (10.69)	182 (7.16)	35 (1.37)	24 (0.98)	35 (1.37)	IP20 UL Type 1
SV150iP5A-2/4	250 (9.84)	230 (9.06)	9 (0.35)	385 (15.16)	370 (14.57)	201 (7.91)	-	-	-	IP00 UL Open
SV0150iP5A-6										
SV185iP5A-2/4	250 (9.84)	230 (9.06)	9 (0.35)	385 (15.16)	370 (14.57)	201 (7.91)	-	-	-	IP00 UL Open
SV0185iP5A-6										
SV220iP5A-2/4	304 (11.97)	284 (11.18)	9 (0.35)	460 (18.11)	445 (17.52)	234 (9.21)	-	-	-	IP00 UL Open
SV0220iP5A-6										
SV300iP5A-2/4	304 (11.97)	284 (11.18)	9 (0.35)	460 (18.11)	445 (17.52)	234 (9.21)	-	-	-	IP00 UL Open
SV0300iP5A-6										

3) SV150~300iP5A (UL Type 1 or UL Open Type with Conduit Option used, 200V/400V Class)



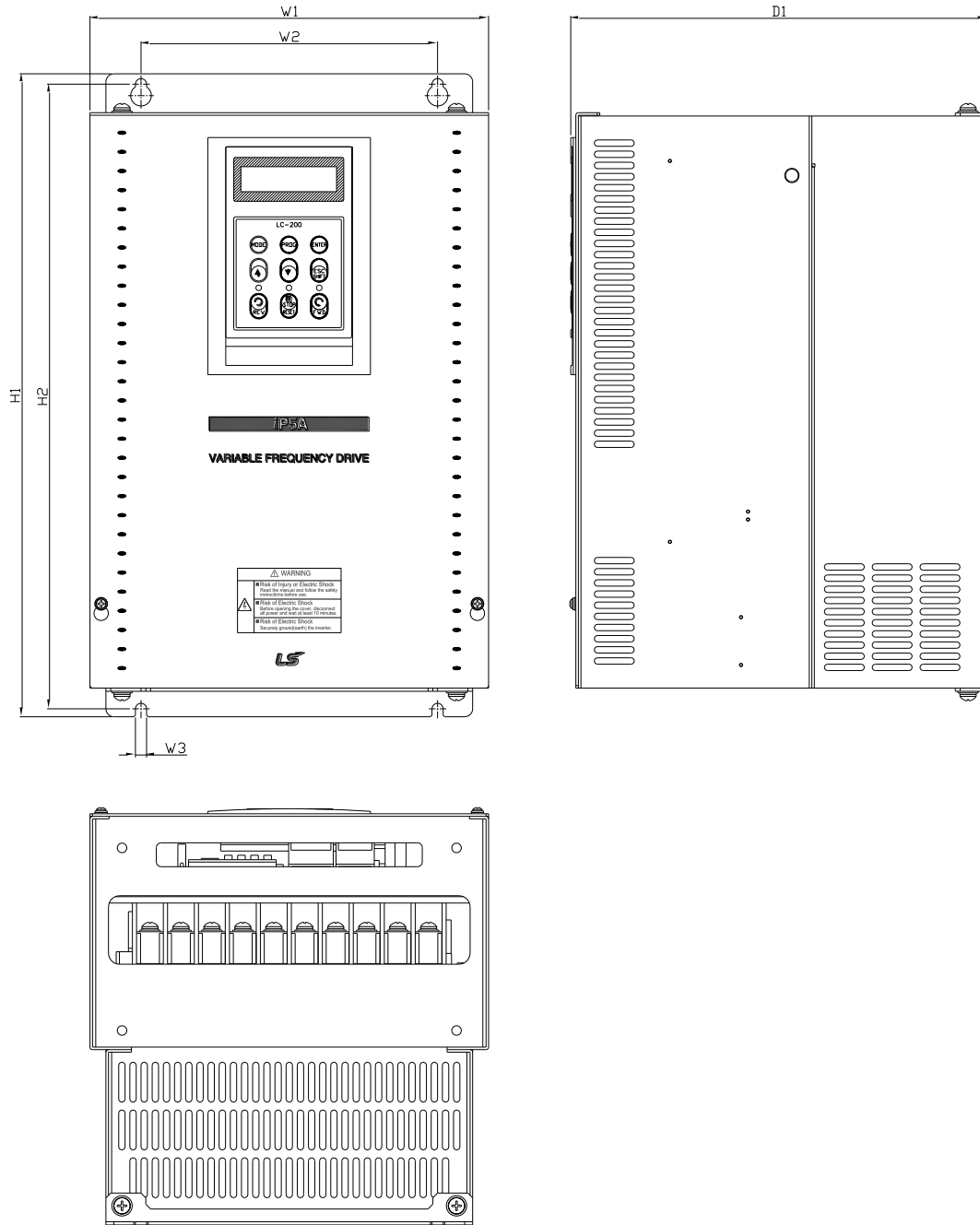
mm

(inches)

Model	W1	W2	W3	H1	H2	H3	D1	D2	Enclosure Type
SV150iP5A-2/4 SV0150iP5A-6	250 (9.84)	230 (9.06)	200.8 (7.9)	385 (15.16)	370 (14.57)	454.2 (17.88)	201 (7.91)	146 (5.74)	IP20 UL Type 1
SV185iP5A-2/4 SV0185iP5A-6	250 (9.84)	230 (9.06)	200.8 (7.9)	385 (15.16)	370 (14.57)	454.2 (17.88)	201 (7.91)	146 (5.74)	IP20 UL Type 1
SV220iP5A-2/4 SV0220iP5A-6	304 (11.97)	284 (11.18)	236 (9.29)	460 (18.11)	445 (17.52)	599.2 (23.59)	234 (9.21)	177.5 (6.98)	IP20 UL Type 1
SV300iP5A-2/4 SV0300iP5A-6	304 (11.97)	284 (11.18)	236 (9.29)	460 (18.11)	445 (17.52)	599.2 (23.59)	234 (9.21)	177.5 (6.98)	IP20 UL Type 1

Note) Mounting NEMA 1 conduit option to the 15~90Kw(20~125HP) Open Type meets NEMA 1 but does not comply with UL Enclosed Type 1. To that end, please purchase UL Type 1 product.

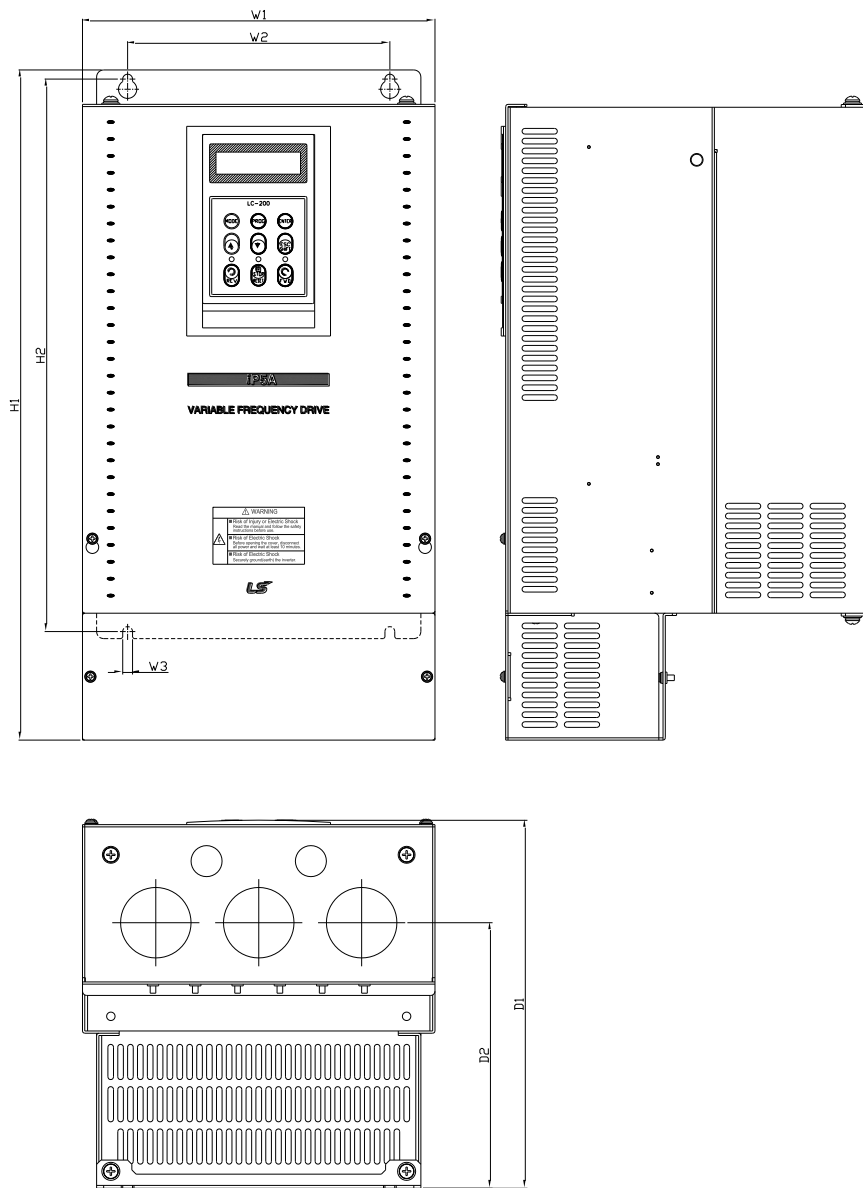
4) SV150 ~ SV300 iP5A (400V Class) – Built-in DCL Type



mm (inches)

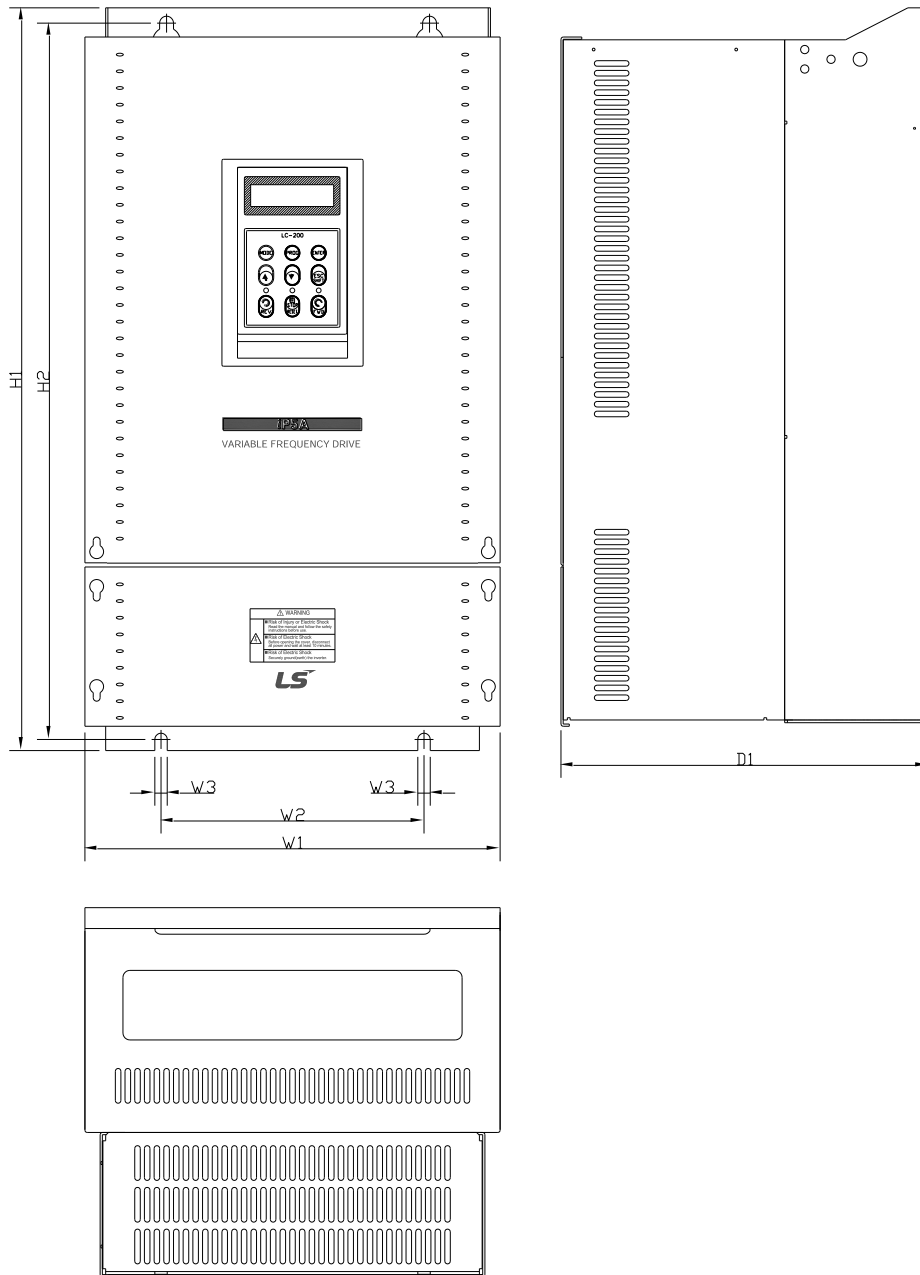
Model	W1	W2	W3	H1	H2	D1	Enclosure Type
SV150, 185iP5A-4L (Built-in DCL Type)	250 (9.84)	186 (7.32)	7 (0.28)	403.5 (15.88)	392 (15.43)	261.2 (10.28)	IP00 UL Type 1
SV220, 300iP5A-4L (Built-in DCL Type)	260 (10.23)	220 (8.66)	7 (0.28)	480 (18.89)	468.5 (18.44)	268.6 (10.57)	IP20 UL Type 1

5) SV150 ~ SV300 iP5A (Built-in DCL Type, UL Type 1 or UL Open Type with Conduit Option used, 400V Class)



Model	W1	W2	W3	H1	H2	D1	D2	mm (inches)	
								Enclosure Type	
SV150, 185iP5A-4L (Built-in DCL Type)	250 (9.84)	186 (7.32)	7 (0.28)	475.5 (18.72)	392 (15.43)	261.2 (10.28)	188.4 (7.42)	IP20 UL Type 1	
SV220, 300iP5A-4L (Built-in DCL Type)	260 (10.23)	220 (8.66)	7 (0.28)	552 (21.73)	468.5 (18.44)	268.6 (10.57)	188.8 (7.43)	IP20 UL Type 1	

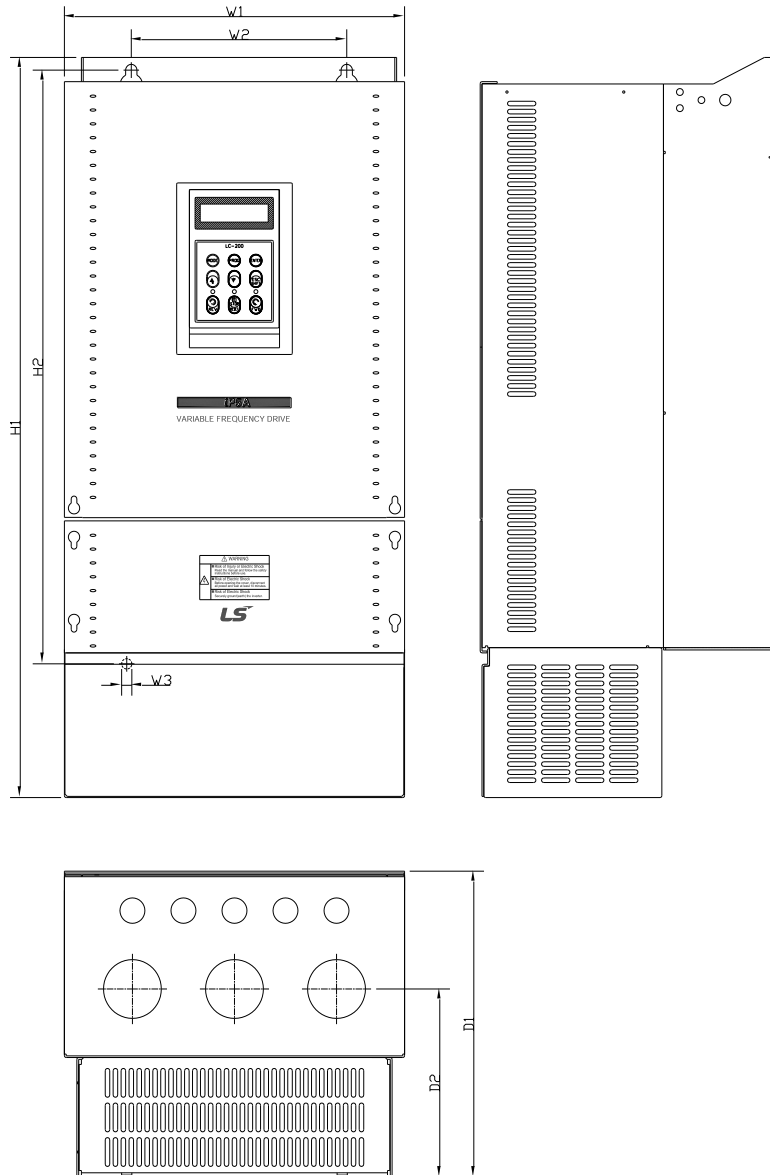
6) SV370 ~ 550iP5A (400V Class) and SV0370~0550iP5A (600V Class)



mm (inches)

Model	W1	W2	W3	H1	H2	D1	Enclosure Type
SV370, 450iP5A-4	300 (11.81)	190 (7.48)	9 (0.35)	534 (21.02)	515 (20.28)	265.6 (10.46)	IP00 UL Open
SV550iP5A-4 SV0370~0550iP5A-6	300 (11.81)	190 (7.48)	9 (0.35)	534 (21.02)	515 (20.28)	292.6 (11.52)	IP00 UL Open
SV370, 450iP5A-4L (Built-in DCL Type)	300 (11.81)	190 (7.48)	9 (0.35)	684 (26.92)	665 (26.18)	265.6 (10.46)	IP00 UL Open
SV550iP5A-4L (Built-in DCL Type)	300 (11.81)	190 (7.48)	9 (0.35)	684 (26.92)	665 (26.18)	292.6 (11.52)	IP00 UL Open

7) SV370~550iP5A (UL Type 1 or UL Open Type with Conduit Option Used, 400V Class)

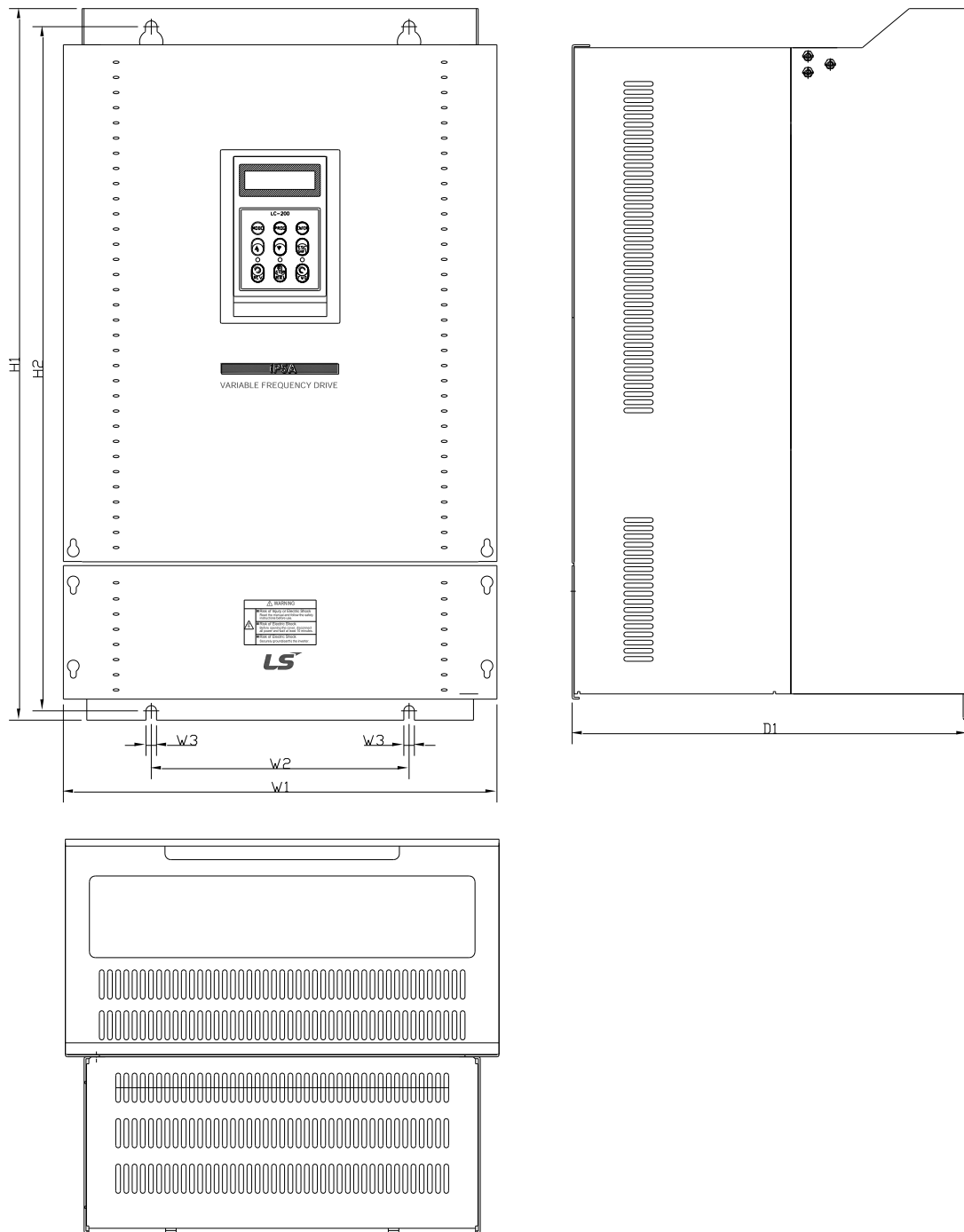


mm (inches)

Model	W1	W2	W3	H1	H2	D1	D2	Enclosure Type
SV370, 450iP5A-4	300 (11.81)	190 (7.48)	9 (0.35)	642 (25.28)	515 (20.28)	265.6 (10.46)	163.4 (6.43)	IP20 UL Type 1
SV550iP5A-4	300 (11.81)	190 (7.48)	9 (0.35)	642 (25.28)	515 (20.28)	292.6 (11.52)	190.4 (7.5)	IP20 UL Type 1
SV370, 450iP5A-4L (Built-in DCL Type)	300 (11.81)	190 (7.48)	9 (0.35)	792 (31.18)	665 (26.18)	265.6 (10.46)	163.4 (6.43)	IP20 UL Type 1
SV550iP5A-4L (Built-in DCL Type)	300 (11.81)	190 (7.48)	9 (0.35)	792 (31.18)	665 (26.18)	292.6 (11.52)	190.4 (7.5)	IP20 UL Type 1

Note) Mounting NEMA 1 conduit option to the 15~90Kw(20~125HP) Open Type meets NEMA 1 but does not comply with UL Enclosed Type 1. To that end, please purchase UL Type 1 product.

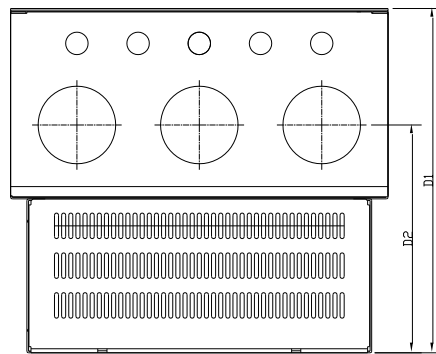
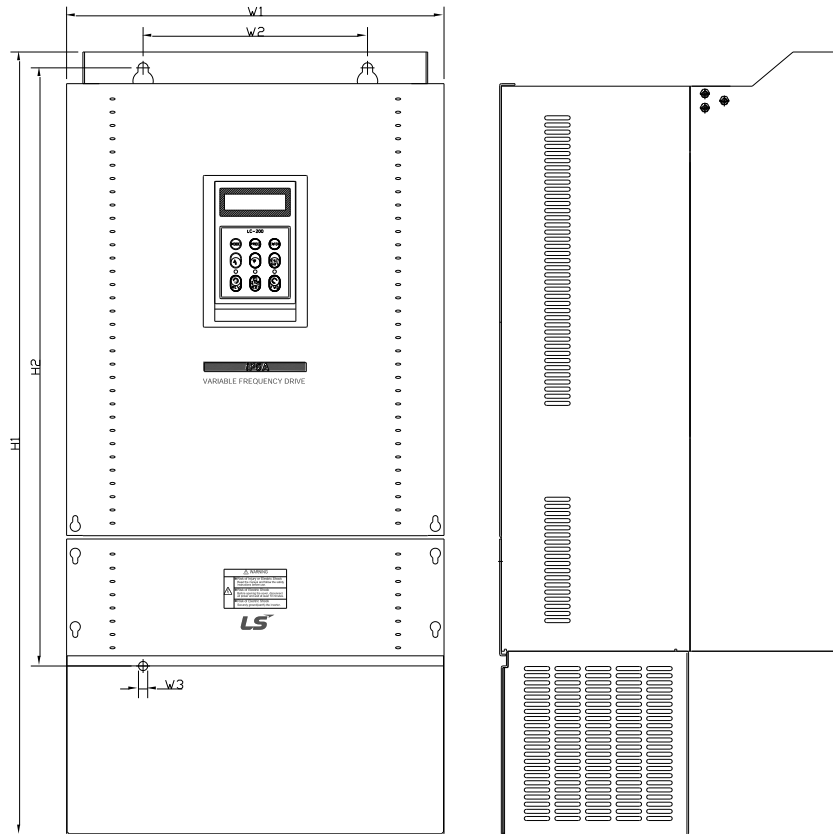
8) SV750, 900iP5A (400V Class) and SV0750-0900iP5A (600V Class)



mm (inches)

Model	W1	W2	W3	H1	H2	D1	Enclosure Type
SV750, 900iP5A-4	370	220	9	610	586.5	337.6	IP00
SV0750,0900iP5A-6	(14.57)	(8.66)	(0.35)	(24.02)	(23.09)	(13.29)	UL Open
SV750, 900iP5A-4L (Built-in DCL Type)	370	220	9	760	736.6	337.6	IP00
	(14.57)	(8.66)	(0.35)	(29.92)	(28.99)	(13.29)	UL Open

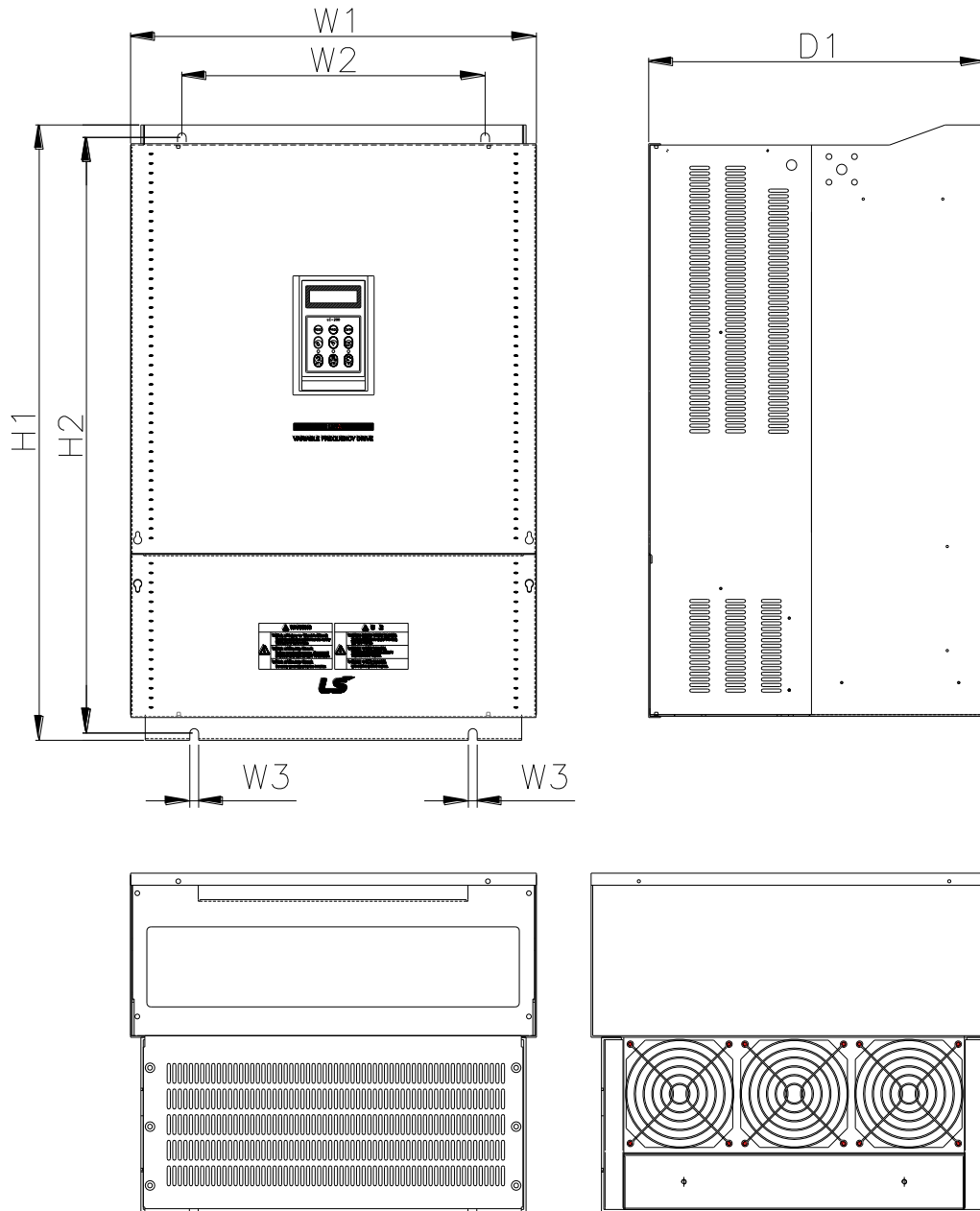
9) SV750, 900iP5A (UL Type 1 or UL Open Type with Conduit Option used, 400V Class)



Model	W1	W2	W3	H1	H2	D1	mm (inches)		Enclosure Type
							D2		
SV750,900iP5A-4	370	220	9	767.5	586.5	337.6	223.4		IP20
SV0750,0900iP5A-6	(14.57)	(8.66)	(0.35)	(30.22)	(23.09)	(13.29)	(8.8)		UL Type 1
SV750, 900iP5A-4L (Built-in DCL Type)	370	220	9	917.5	736.5	337.6	223.4		IP20
	(14.57)	(8.66)	(0.35)	(36.12)	(28.99)	(13.29)	(8.8)		UL Type 1

Note) Mounting NEMA 1 conduit option to the 15~90Kw(20~125HP) Open Type meets NEMA 1 but does not comply with UL Enclosed Type 1. To that end, please purchase UL Type 1 product.

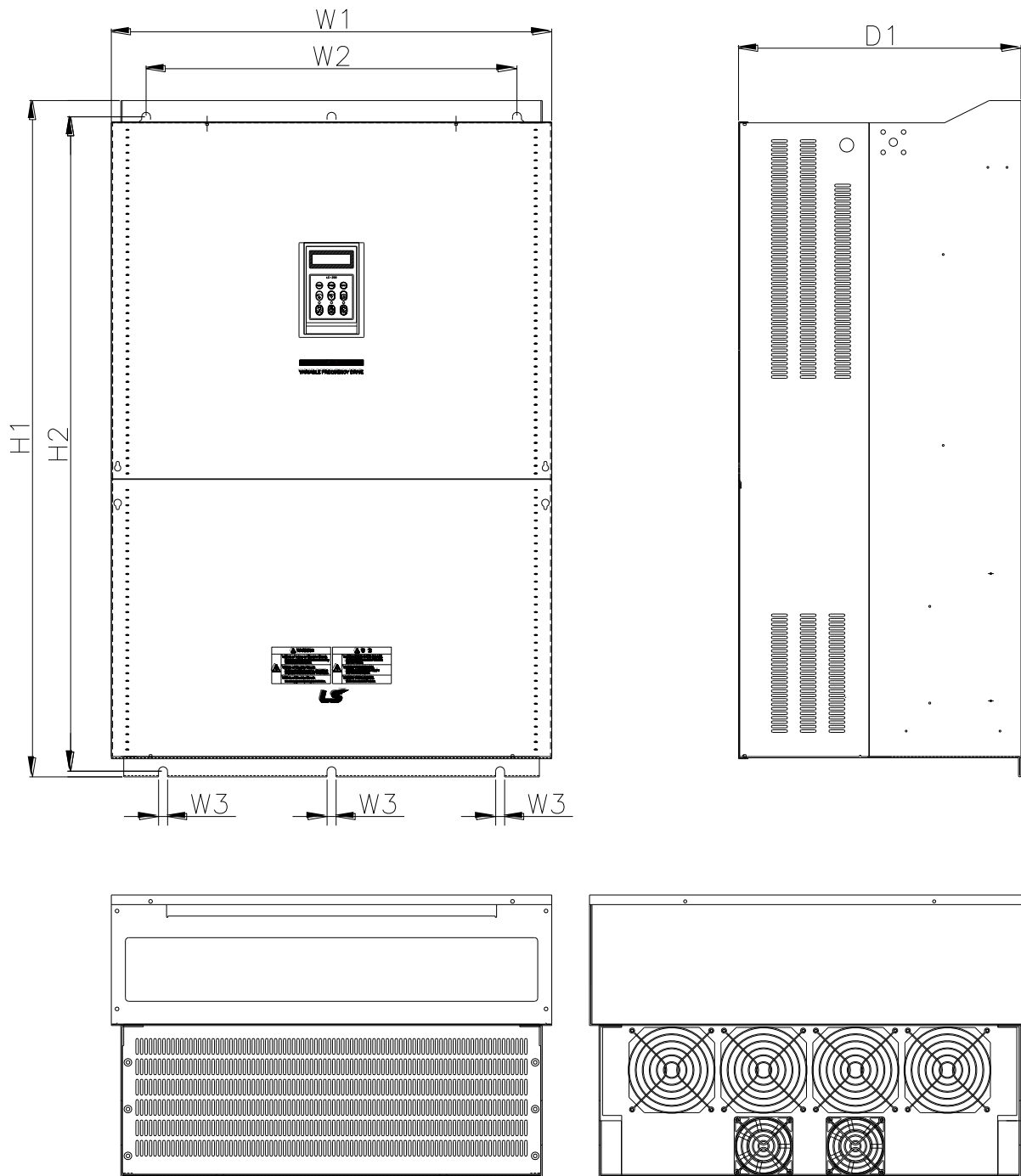
10) SV1100, 1600iP5A (400V Class) and SV1100iP5A(600V Class)



mm(inches)

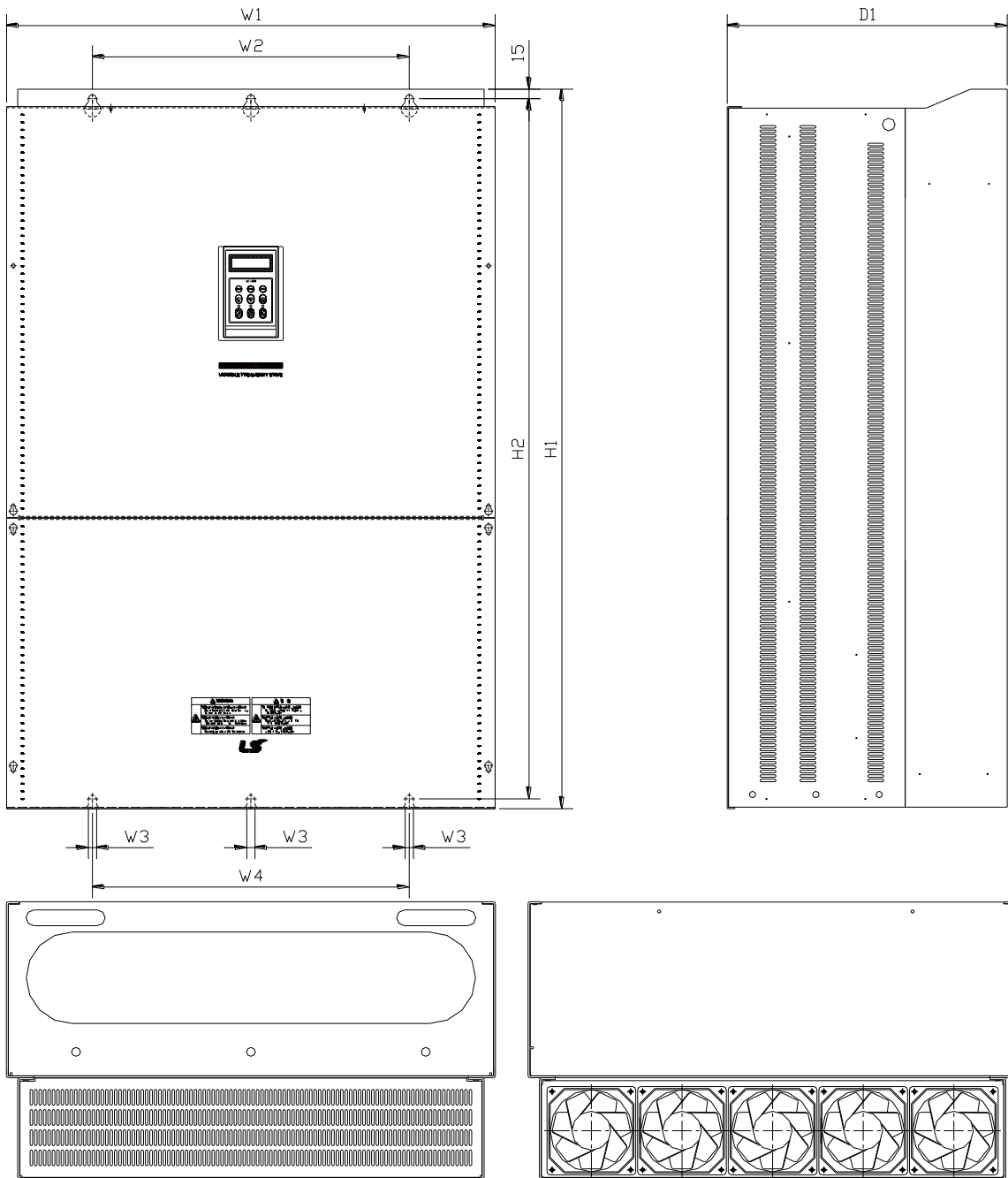
Model	W1	W2	W3	H1	H2	D1	Enclosure Type
SV1100,1320iP5A-4L	510	381	11	783.5	759	422.6	IP00
SV1100iP5A-6L	(20.08)	(15.00)	(0.43)	(30.85)	(29.88)	(16.64)	UL Open
SV1600iP5A-4L	510	381	11	861	836.5	422.6	IP00
	(20.08)	(15.00)	(0.43)	(33.90)	(32.93)	(16.64)	UL Open

11) SV2200, 2800iP5A (400V Class)



Model	W1	W2	W3	H1	H2	D1	mm(inches)
							Enclosure Type
SV2200, 2800iP5A-4L	690 (27.17)	581 (22.87)	14 (0.55)	1063 (41.85)	1043.5 (41.08)	449.6 (17.70)	IP00 UL Open

12) SV3150, 4500iP5A (400V Class)



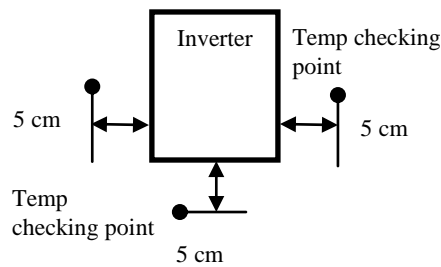
mm(inches)

Model	W1	W2	W3	W4	H1	H2	D1	Enclosure Type
SV3150iP5A-4	772 (30.39)	500 (19.69)	13 (0.51)	500 (19.69)	1140.5 (44.90)	1110 (43.70)	442 (17.40)	IP00 UL Open
SV3750,4500iP5A-4	922 (36.30)	580 (22.83)	14 (0.55)	580 (22.83)	1302.5 (51.28)	1271.5 (50.06)	495 (19.49)	IP00 UL Open

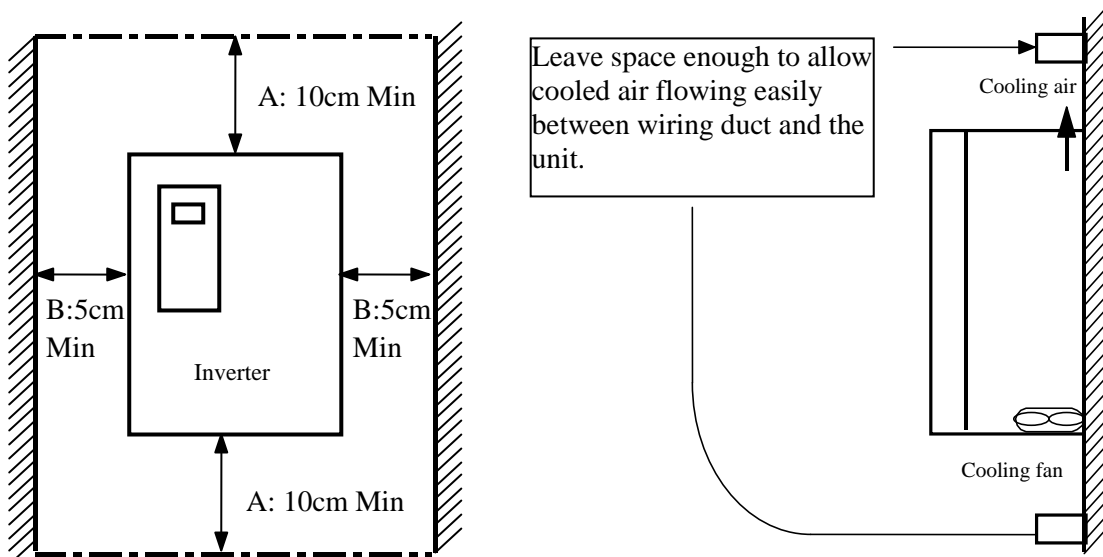
CHAPTER 3 - INSTALLATION

3.1 Installation precautions

- 1) Handle the inverter with care to prevent damage to the plastic components. Do not hold the inverter by the front cover.
- 2) Do not mount the inverter in a location where excessive vibration (5.9 m/sec^2 or less) is present such as installing the inverter on a press or other moving equipment.
- 3) Install in a location where temperature is within the permissible range ($-10\sim 40^\circ\text{C}$).



- 4) The inverter will be very hot during operation. Install it on a non-combustible surface.
- 5) Mount the inverter on a flat, vertical and level surface. Inverter orientation must be vertical (top up) for proper heat dissipation. Also leave sufficient clearances around the inverter. However, A= Over 500mm and B= 200mm should be obtained for inverters rated 30kW and above.

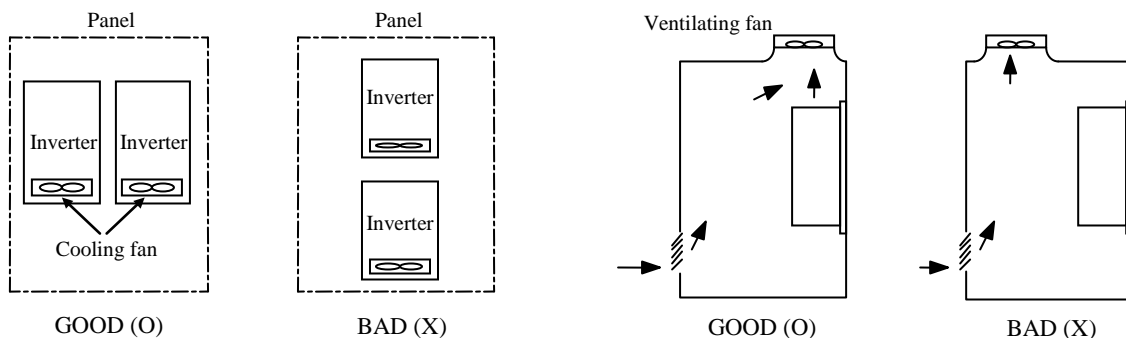


Chapter 3 - Installation

6) Do not mount the inverter in direct sunlight or near other heat sources.

7) The inverter shall be mounted in a Pollution Degree 2 environment. If the inverter is going to be installed in an environment with a high probability of dust, metallic particles, mists, corrosive gases, or other contaminants, the inverter must be located inside the appropriate electrical enclosure of the proper NEMA or IP rating.

8) When two or more inverters are installed or a ventilation fan is mounted in inverter panel, the inverters and ventilation fan must be installed in proper positions with extreme care taken to keep the ambient temperature of the inverters below the permissible value. If they are installed in improper positions, the ambient temperature of the inverters will rise.



[When installing several inverters in a panel]

[When installing a ventilating fan in a panel]

9) Install the inverter using screws or bolts to insure the inverter is firmly fastened.

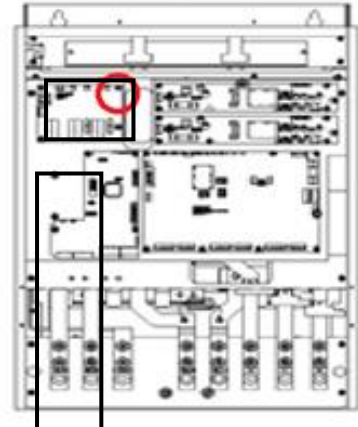
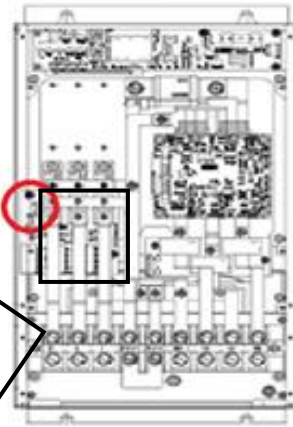
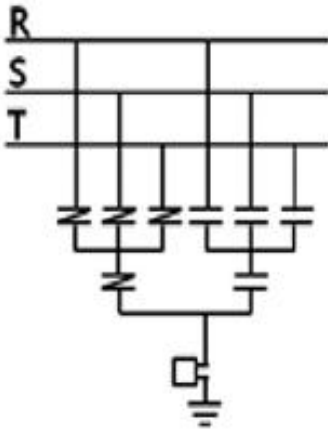
10) IP5A Series Drives contain protective MOVs and common mode capacitors that are referenced to ground. To guard against drive damage or operation problems, these devices must be properly configured according to below table

Power Source Type	MOV Input Filter Caps	Benefits
3-Phase AC grounded system	Connected	Reduced electrical noise, Most stable operation, Reduced voltage stress on components and motor bearings
3-Phase ungrounded system Impedance grounded	Disconnected	Helps avoid severe equipment damage when ground fault occurs

Note: 5.5~30kW and 575V Series are not supported.

⚠ To avoid drive's damage or electric shock, disconnect switch, When Drive's capacitors are discharged completely

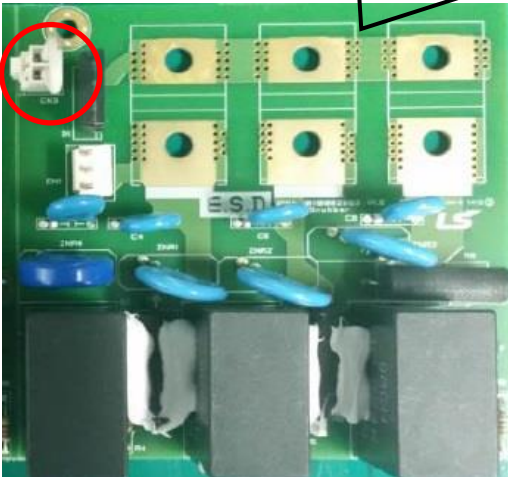
⚠ In case of surge and lightning don't flow in the grounded system , you can disconnect the switch.





<MOV and AC EMI Capacitor Phase to Ground >

< Example of 37~90kW-4 >

< Example of 110~450kW-4 >

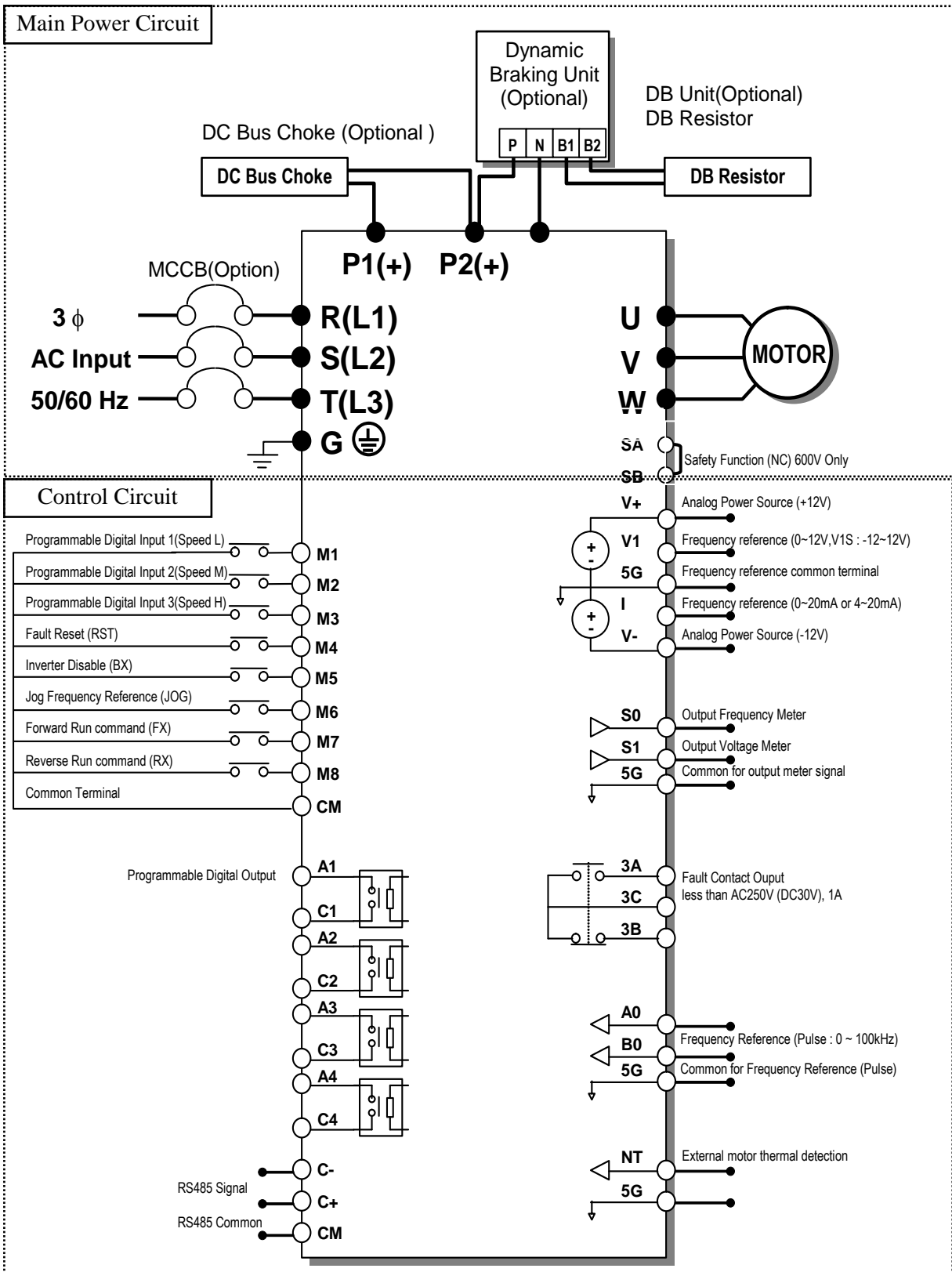


 CAUTION	
	<p>■ Risk of Electric Shock More than one disconnect switch may be required to de-energize the equipment before servicing.</p>

3.2 Wiring

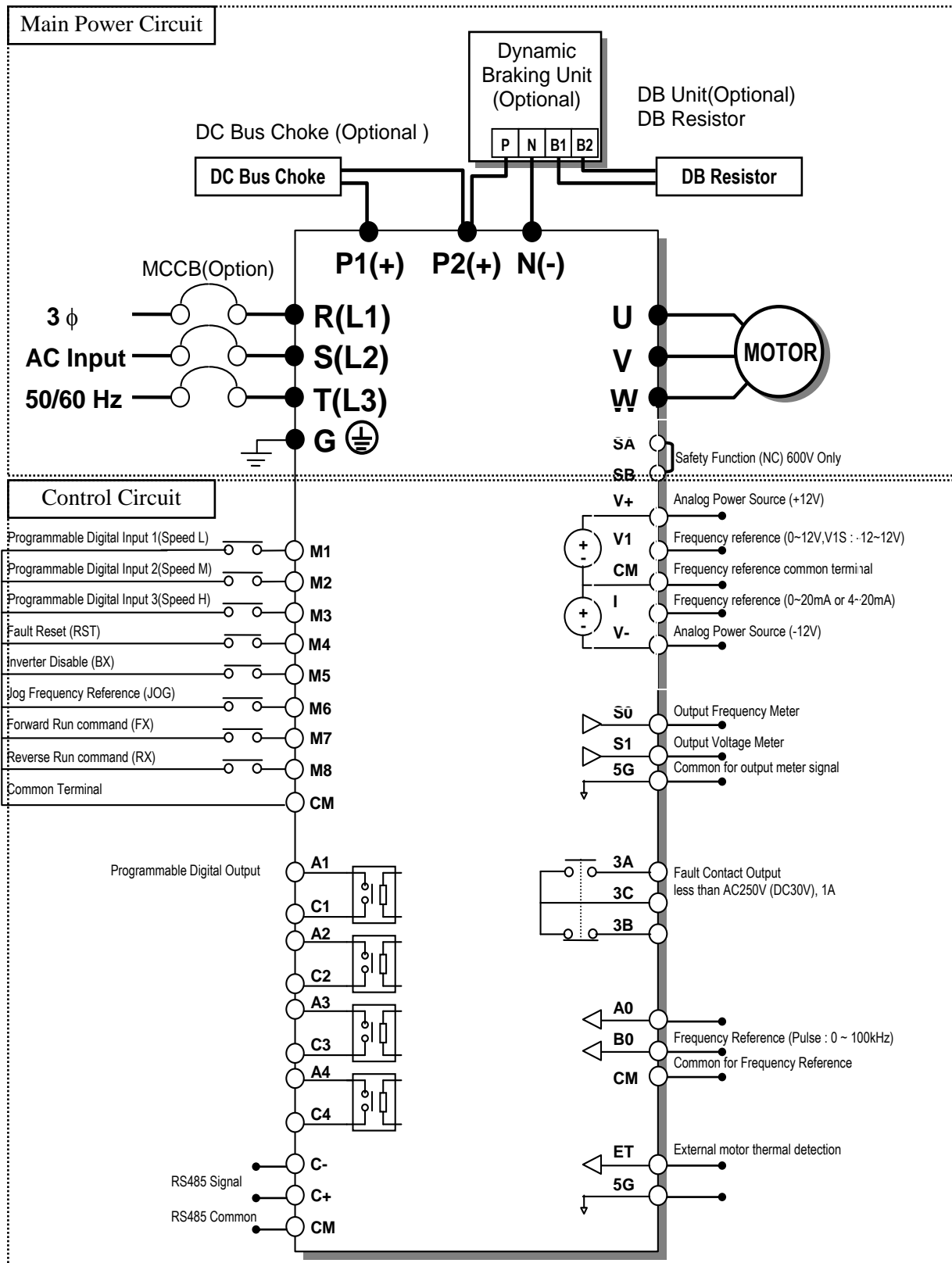
3.2.1 Basic wiring

1) For 0.75~30kW (1~40HP)



- Note :1) 5G is Common Ground for Analog Input/Output. (Only applied to 0.75 ~ 30kW products)
- 2) Use terminal V1 for V1, V1S (0~12V, -12 ~ 12V) input.
- 3) To add DC reactor, Remove DC Bus Choke and connect to P1(+), P2(+).
- 4) SA,SB terminal is provided with 600V class model only.

2) For 37~90kW (50~125HP) / 315~450(400~600HP)



Note : 1) 5G is Common Ground for Analog Meter Output(S0,S1) and External motor thermal detection(ET).
 CM is Common Ground for Analog input.

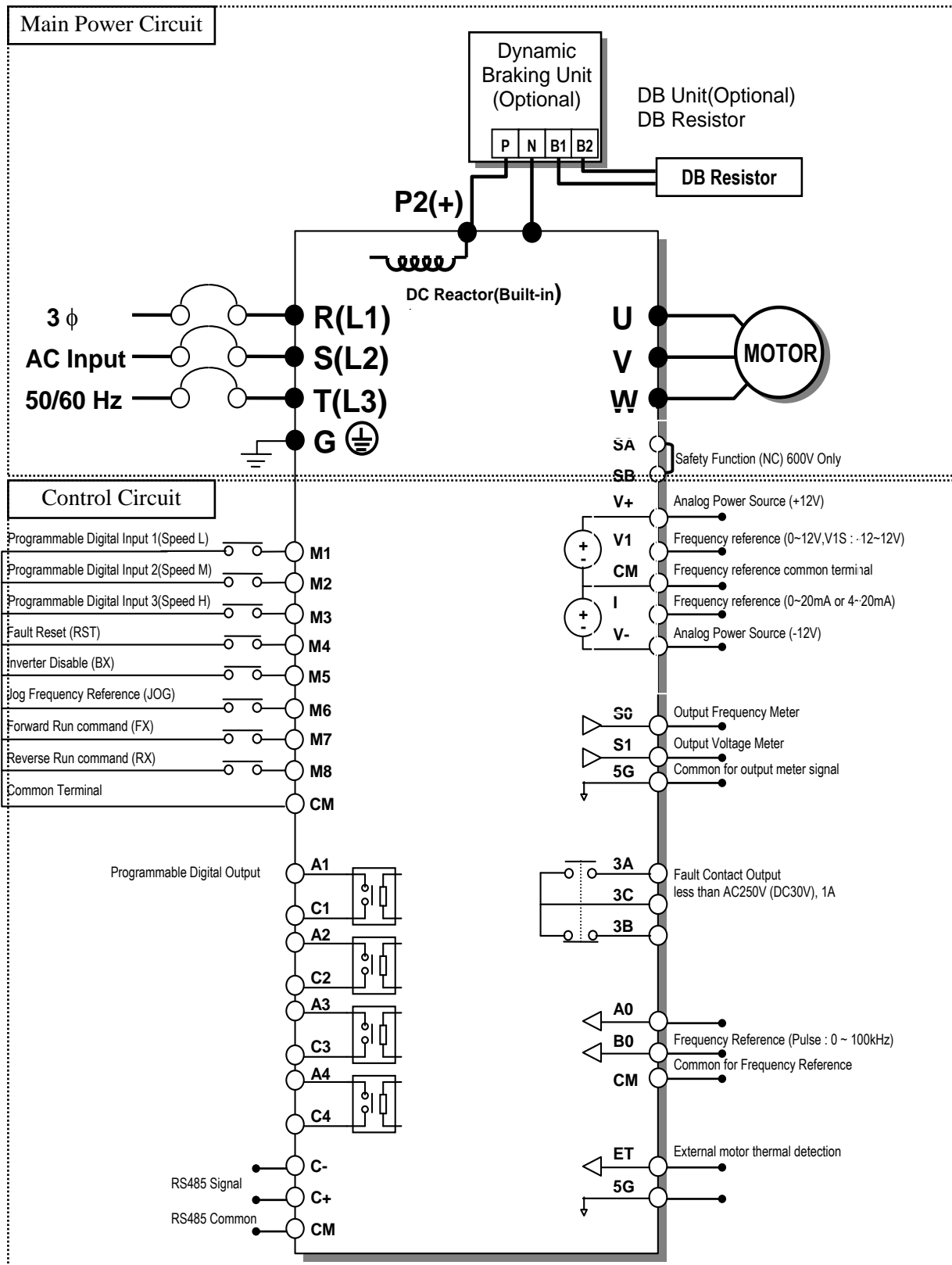
2) Use terminal V1 for V1, V1S (0~12V, -12 ~ 12V) input.

3) To add DC reactor, remove DC Bus Choke and connect to P1(+), P2(+).

4) SA,SB terminal is provided with 600V class model only.

Chapter 3 - Installation

3) For 110~280kW (150~350HP)



Note : 1) 5G is Common Ground for Analog Meter Output(S0,S1) and External motor thermal detection(ET).

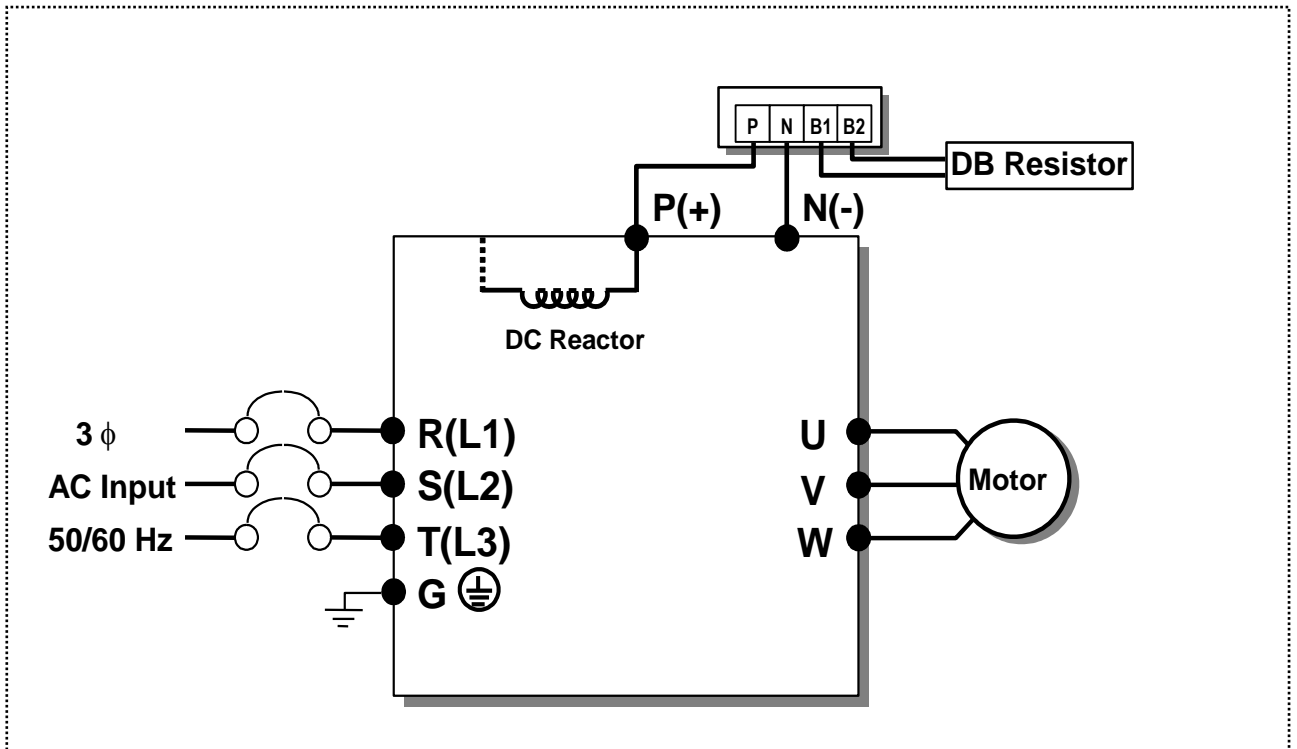
CM is Common Ground for Analog Input.

2) Use terminal V1 for V1, V1S (0~12V, -12 ~ 12V) input.

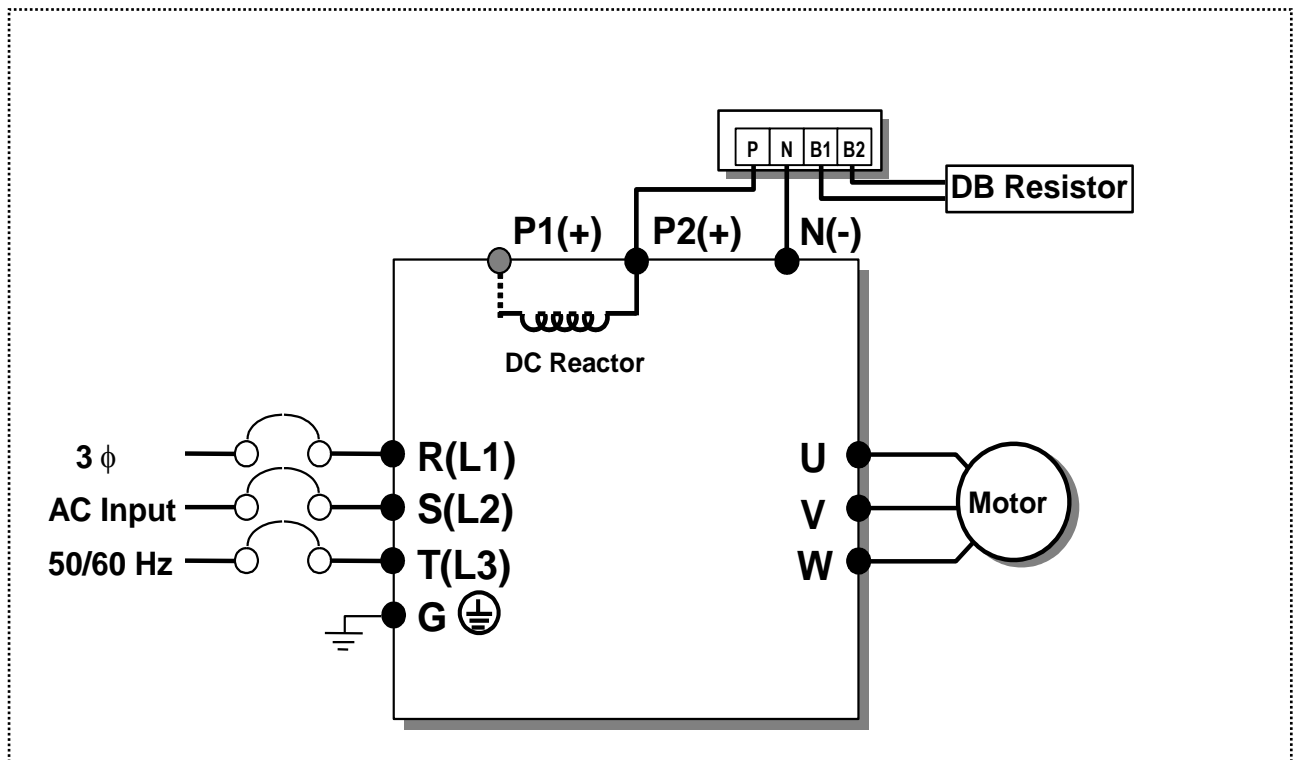
3) DC Reactor is built basically in the inverters for 110~280kW(150~350HP).

4) SA,SB terminal is provided with 600V class model only.

4) For 15~30kW (20~40HP) Built-in DCL Type



5) For 37~90kW (50~125HP) Built-in DCL Type

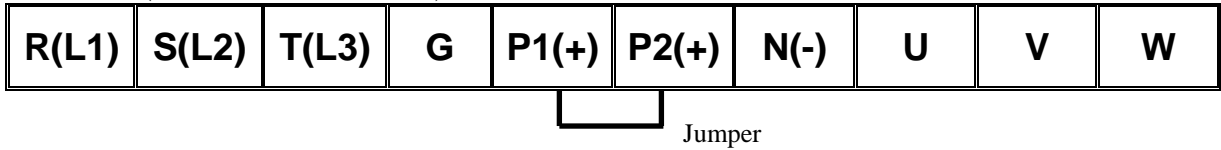


Note : P1(+) is not provided for wiring.

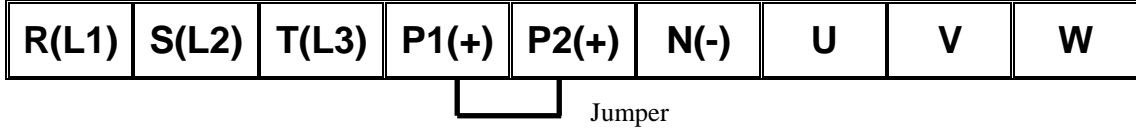
Chapter 3 - Installation

6) Power Terminals:

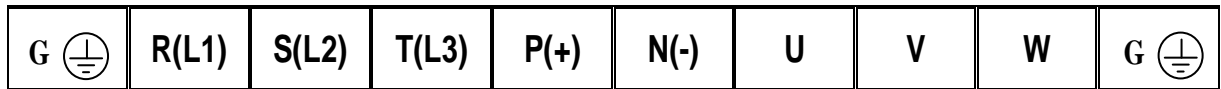
(1) 0.75 ~ 30 kW (200V/400V/600V Class)



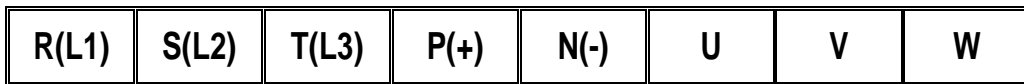
(2) 37~90kW (50~125HP) / 315~450kW (400~600HP) <400V/600V Class>



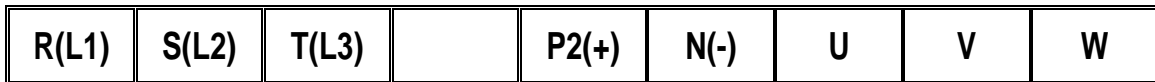
(3) 15~18.5kW (20~25HP) <Built-in DC Reactor Type, 400V Class>




(4) 22~30kW (30~40HP) <Built-in DC Reactor Type, 400V Class>



(5) 37~90kW (50~125HP) / 110 ~280kW (150~350HP) <Built-in DC Reactor Type, 400V Class>

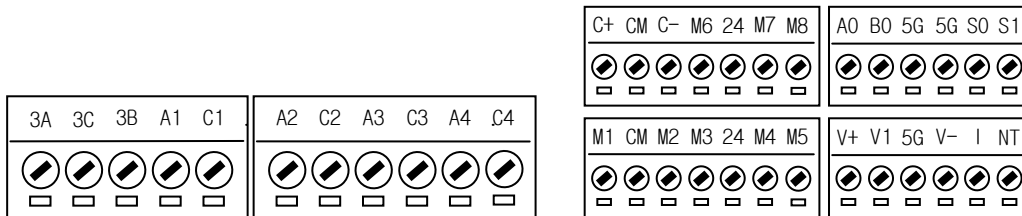
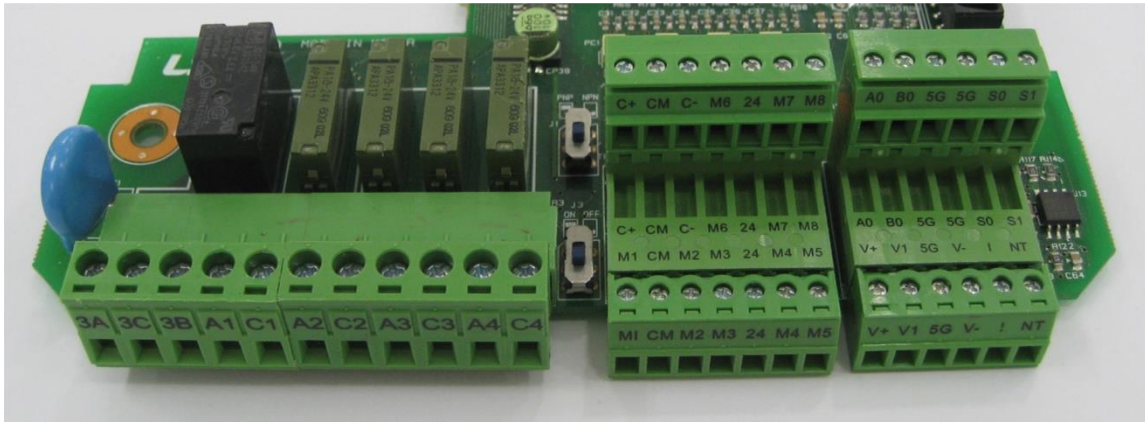


 Note : P1(+) is not provided for wiring.

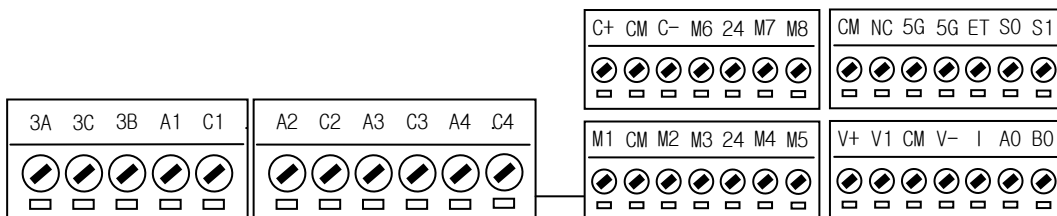
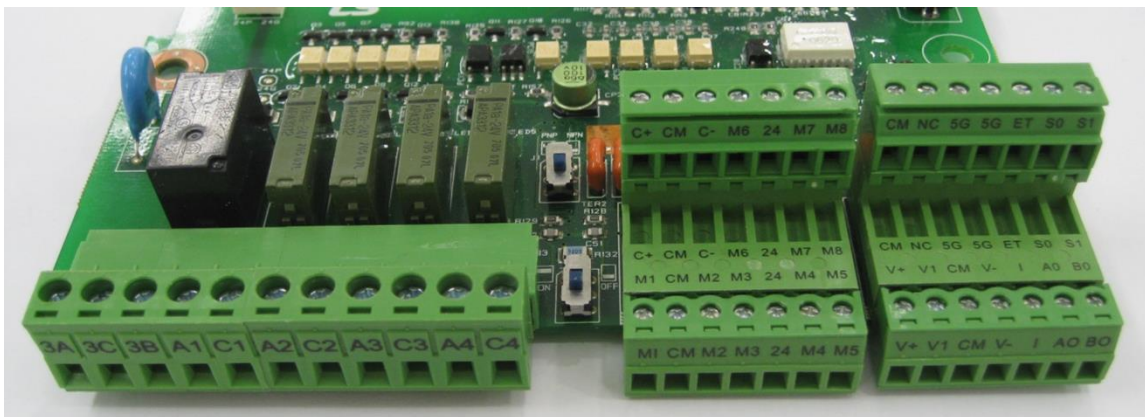
Symbol	Description
R(L1), S(L2), T(L3)	AC Line Voltage Input
G	Earth Ground
P1(+), P2(+)	External DC Reactor (P1(+)-P2(+)) Connection Terminals (Jumper must be removed).
P2(+), N(-) or P(+), N(-)	DB Unit (P2(+)-N(-)) Connection Terminals
U, V, W	3 Phase Power Output Terminals to Motor

7) Control circuit terminal

0.75 ~ 30kW/1~40HP (200V/400V Class)



37 ~ 450 kW/ 50~600HP (400V Class)



Note) The terminal specification is subject to change according to decision of manufacturer.

Type	Symbol	Name	Description
Input signal	Starting Contact Function Select	M1, M2, M3	Programmable Digital Input 1, 2, 3 (Factory setting: Multi-Step Frequency 1, 2, 3)
		FX [M7]	Forward Run Command Forward Run When Closed and Stopped When Open.
		RX [M8]	Reverse Run Command Reverse Run When Closed and Stopped When Open.
		JOG [M6]	Jog Frequency Reference Runs at Jog Frequency when the Jog Signal is ON. The Direction is set by the FX (or RX) Signal.
		BX [M5]	Emergency Stop When the BX Signal is ON the Output of the Inverter is Turned Off. When Motor uses an Electrical Brake to Stop, BX is used to Turn Off the Output Signal. Take caution when BX Signal is OFF (Not Turned Off by Latching) and FX Signal (or RX Signal) is ON. If so, motor continues to Run.
		RST [M4]	Fault Reset Used for Fault Reset.
		CM	Sequence Common (NPN) Common terminal for NPN contact.
	24	Sequence Common (PNP) Common 24V terminal for PNP contact input. (maximum output : +24V, 100mA)	
	Analog frequency setting	V+, V-	Analog Power Source (+12V,-12V) Power supply for Analog Frequency Setting. Maximum Output: +12V, 100mA, -12V, 100mA.
		V1	Frequency Reference (Voltage) Used by a DC 0-12V or -12~ 12 V input to set the frequency reference. (Input impedance is 20 kΩ)
		I	Frequency Reference (Current) Used by a 0-20mA input to set the frequency reference. (Input impedance is 249 Ω)
		A0, B0	Frequency Reference (Pulse) Used by a pulse input to set the frequency reference.
		5G (~30kW) CM(37kW~)	Frequency Reference Common Terminal Common Terminal for Analog Frequency Reference Signal.
	External motor thermal detection	NT (~30kW) ET (37kW ~)	External motor thermal detection Motor thermal sensor input. Used to prevent motor from overheating by using a NTC or PTC thermal sensor.
5G		Common for NT(or ET) Common Terminal for External motor thermal detection.	
Built-in RS485 terminal	C+, C-	RS485 signal High, Low RS485 signal	
	CM	RS485 common Common Ground. Terminal for RS485 interface.	
Output signal	Analog Output	S0, S1	Programmable Voltage Output Voltage output for one of the following: Output Frequency, Output Current, Output Voltage, DC Link Voltage. Default is set to Output Frequency. (Maximum Output Voltage and Output Current are 0-12V and 1mA).
		5G	Analog Common Terminal Common Terminal for Analog Output (S0, S1).
	Contact	3A, 3C, 3B	Fault Contact Output Energizes when a fault is present. (AC250V, 1A; DC30V, 1A) Fault: 3A-3C Closed (3B-3C Open) Normal: 3B-3C Closed (3A-3C Open)
		A1~4, C1~4	Programmable Digital Output Defined by Programmable Digital Output terminal settings (AC250V, 1A or less; DC30V, 1A or less)

Note) M1~M8 terminals are User Programmable. NC terminal is unavailable.

3.2.2 Wiring power terminals

◆ Wiring Precautions

- 1) The internal circuits of the inverter will be damaged if the incoming power is connected and applied to output terminals (U, V, W).
- 2) Use ring terminals with insulated caps when wiring the input power and motor wiring.
- 3) Do not leave wire fragments inside the inverter. Wire fragments can cause faults, breakdowns, and malfunctions.
- 4) For input and output, use wires with sufficient size to ensure voltage drop of less than 2%.
- 5) Motor torque may drop of operating at low frequencies and a long wire run between inverter and motor.
- 6) The cable length between inverter and motor should be less than 150m (492ft). Due to increased leakage capacitance between cables, overcurrent protective feature may operate or equipment connected to the output side may malfunction. (But for products of less than 30kW, the cable length should be less than 50m (164ft) when carrier frequency is more than 10 kHz.)
- 7) The main circuit of the inverter contains high frequency noise, and can hinder communication equipment near the inverter. To reduce noise, install line noise filters on the input side of the inverter.
- 8) Do not use power factor capacitor, surge killers, or RFI filters on the output side of the inverter. Doing so may damage these components.
- 9) Always check whether the LCD and the charge lamp for the power terminal are OFF before wiring terminals. The charge capacitor may hold high-voltage even after the power is disconnected. Use caution to prevent the possibility of personal injury.
- 10) Do not connect with MC at output pare of inverter and make MC On/Off during operation. It can cause the Trip or damage of inverter

◆ Grounding

- 1) The inverter is a high switching device, and leakage current may flow. Ground the inverter to avoid electrical shock. Use caution to prevent the possibility of personal injury. The ground impedance for 200V class is 100 ohm with 400V class 10ohm. (Protective Class : I)
- 2) Connect only to the dedicated ground terminal of the inverter. Do not use the case or the chassis screw for grounding.
- 3) The protective earth conductor must be the first one in being connected and the last one in being disconnected.
- 4) As a minimum, grounding wire should meet the specifications listed below. Grounding wire should be as short as possible and should be connected to the ground point as near as possible to the inverter.

Inverter Capacity		Grounding wire Sizes, AWG or kcmil (mm ²)		
kW	HP	200V Class	400V Class	600V Class
5.5 ~ 7.5	7.5 ~ 10	10	4	2.5
11 ~ 15	15 ~ 20	16	10	4
18.5 ~ 30	25 ~ 40	35	16	10
37 ~ 55	50 ~ 75	-	25	16
75 ~ 90	100 ~ 125	-	35	25
110 ~ 132	150 ~ 200	-	70	35
160 ~ 280	250 ~ 350	-	150	70
315 ~ 375	400 ~ 600	-	240	-
450	700	-	240	-

3.2.3 Wires and terminal lugs

Refer to below for wires, terminal lugs, and screws used to connect the inverter power input and output.

Inverter capacity	Terminal screw size	Screw torque		Wire size				
				R(L1), S(L2), T(L3)		U, V, W		
		kgf · cm	lb · in	mm ²	AWG or kcmil	mm ²	AWG or kcmil	
200V	0.75kW(1HP)	M4	7.1 ~ 12.2	6.2 ~ 10.6	2.5	14	2.5	14
	1.5kW(2HP)	M4	7.1 ~ 12.2	6.2 ~ 10.6	2.5	14	2.5	14
	2.2kW(3HP)	M4	7.1 ~ 12.2	6.2 ~ 10.6	2.5	14	2.5	14
	3.7kW(5HP)	M4	7.1 ~ 12.2	6.2 ~ 10.6	4	12	4	12
	5.5kW(7.5HP)	M4	7.1 ~ 12.2	6.2~10.6	5.5	10	5.5	10
	7.5kW(10HP)	M5	24.5 ~ 31.8	21.2~27.6	8	8	8	8
	11kW(15HP)	M5			14	6	14	6
	15kW(20HP)	M6	30.6 ~ 38.2	26.6~33.2	22	4	22	4
	18.5kW(25HP)	M6			38	2	38	2
	22kW(30HP)	M8	61.2 ~ 91.8	53.1~79.7	38	2	38	2
30kW(40HP)	M8	60			1/0	60	1/0	
400V	0.75kW(1HP)	M4	7.1 ~ 12.2	6.2 ~ 10.6	2.5	14	2.5	14
	1.5kW(2HP)	M4	7.1 ~ 12.2	6.2 ~ 10.6	2.5	14	2.5	14
	2.2kW(3HP)	M4	7.1 ~ 12.2	6.2 ~ 10.6	2.5	14	2.5	14
	3.7kW(5HP)	M4	7.1 ~ 12.2	6.2 ~ 10.6	2.5	14	2.5	14
	5.5kW(7.5HP)	M4	7.1 ~ 12.2	6.2~10.6	3.5	12	3.5	12
	7.5Kw(10HP)	M4			3.5	12	3.5	12
	11 kW(15HP)	M4	30.6~38.2	26.6~33.2	5.5	10	5.5	10
	15 kW(20HP)	M6			8	8	8	8
	18.5kW(25HP)	M6	61.2~91.8	53.1~79.7	14	6	14	6
	22~30kW(30~40HP)	M8			22	4	22	4
	37~55kW(50~75HP)	M8	89.7~122.0	77.9~105.9	38	2	38	2
	75~90kW (100~125HP)	M10			60	1/0	60	1/0
	110~132kW (150~200HP)	M12	182.4~215.0	158.3~186.6	100	4/0	100	4/0
	160kW(250HP)	M12			150	300	150	300
	220kW(300HP)	M12			200	400	200	400
	280kW(350HP)	M12			250	500	250	500
315kW(400HP)	M12	325			700	325	700	
375kW(500HP)	M12	2×200			2×400	2×200	2×400	
450kW(600HP)	M12	2×250	2×500	2×250	2×500			
600V	5.5kW(7.5HP)	M4	7.1 ~ 12.2	6.2~10.6	3.5	12	3.5	12
	7.5Kw(10HP)	M4	7.1 ~ 12.2	6.2~10.6	3.5	12	3.5	12
	11 kW(15HP)	M4	7.1 ~ 12.2	6.2~10.6	5.5	10	5.5	10
	15 kW(20HP)	M6	30.6~38.2	26.6~33.2	8	8	8	8
	18.5kW(25HP)	M6	61.2~91.8	53.1~79.7	14	6	14	6
	22~30kW(30~40HP)	M8			22	4	22	4
	37~55kW(50~75HP)	M8	89.7~122.0	77.9~105.9	38	2	38	2
	75~90kW (100~125HP)	M10			60	1/0	60	1/0

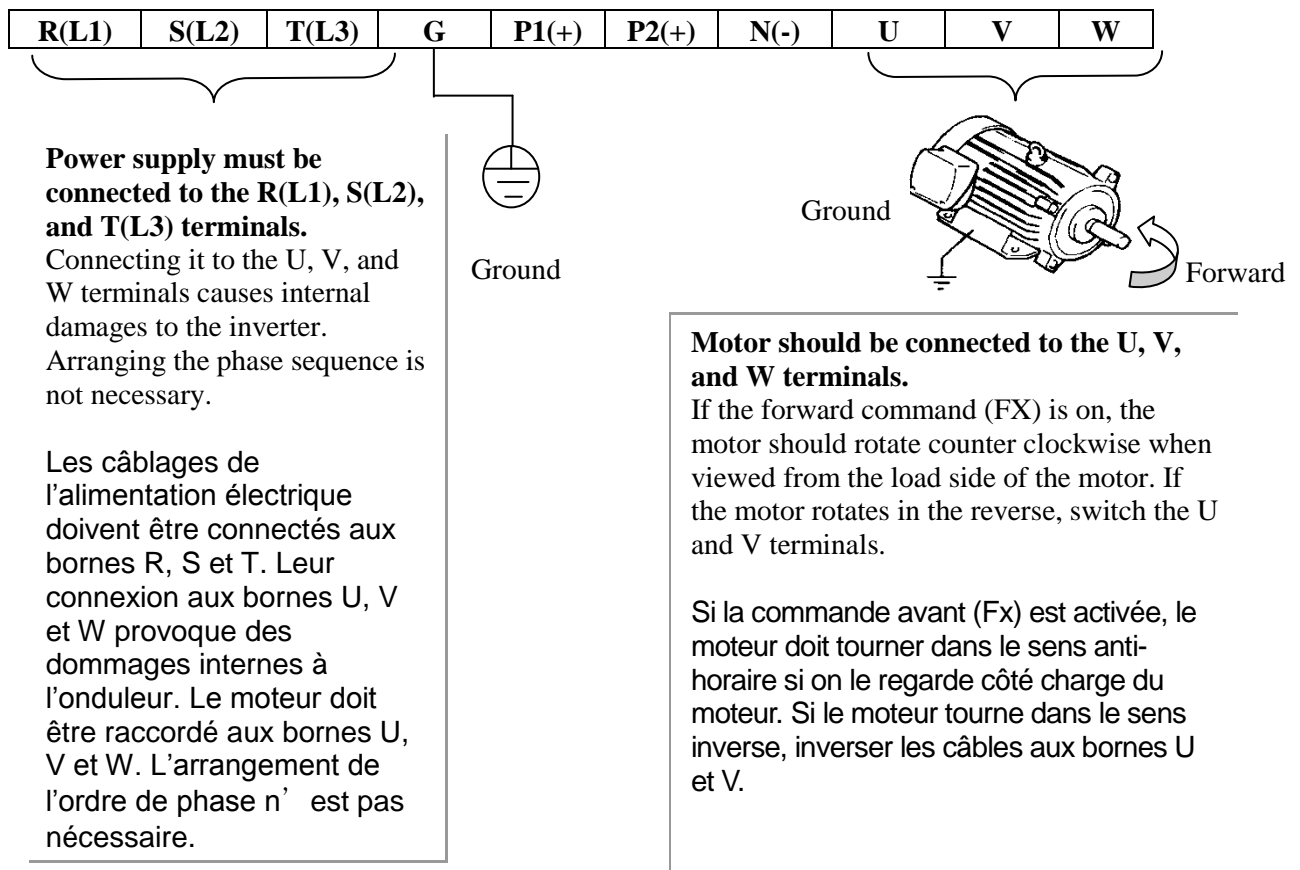
110~132kW (150~200HP)	M12	182.4~215.0	158.3~186.6	100	4/0	100	4/0
--------------------------	-----	-------------	-------------	-----	-----	-----	-----

* Apply the rated torque to terminal screws.

* Loose screws can cause of short circuit or malfunction. Tightening the screw too much can damage the terminals and cause a short circuit or malfunction.

* Use copper wires only with 600V, 75 °C ratings. For 7.5~11kW 240V type inverters, R(L1), S(L2), T(L3) and U, V, W terminals are only for use with insulated ring type connector.

Power and Motor Connection Example (5.5~30kW inverters)



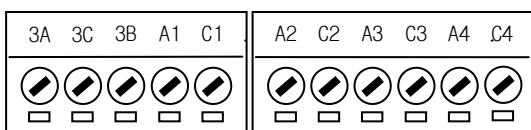
3.2.4 Control circuit wiring

1) Wiring Precautions

CM and 5G terminals are insulated each other. Do not connect these terminals together or to the power ground. Use shielded wires or twisted wires for control circuit wiring, and separate these wires from the main power circuits and other high voltage circuits (200V relay sequence circuit).

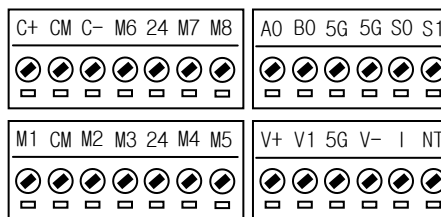
It is recommended to use the cables of 0.0804mm² (28 AWG) ~ 1.25mm² (16 AWG) for TER1, TER2 control terminals and the cables of 0.33mm² (22 AWG) ~ 2.0mm² (14 AWG) for TER3, TER4 control terminals.

2) Control terminal layout



TER4 0.33mm² (22 AWG) ~ 2.0mm² (14 AWG)

TER3



TER2 0.0804mm² (28 AWG) ~ 1.25mm² (16 AWG)

TER1

Chapter 3 - Installation

3) Sink mode(NPN mode) / Source mode(PNP mode)

SV-iP5A provides Sink/Source(NPN/PNP) modes for sequence input terminal on the control circuit. The logic of the input terminal is settable to Sink mode(NPN mode) / Source mode(NPN mode) by using the J1 switch. Connection method is shown below.

(1) Sink mode(NPN mode)

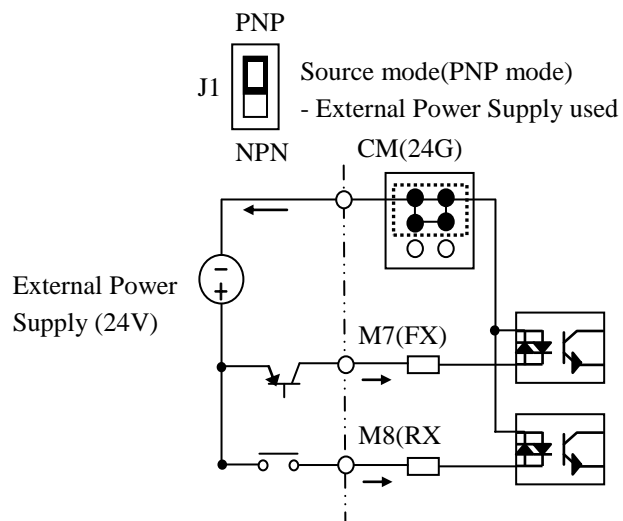
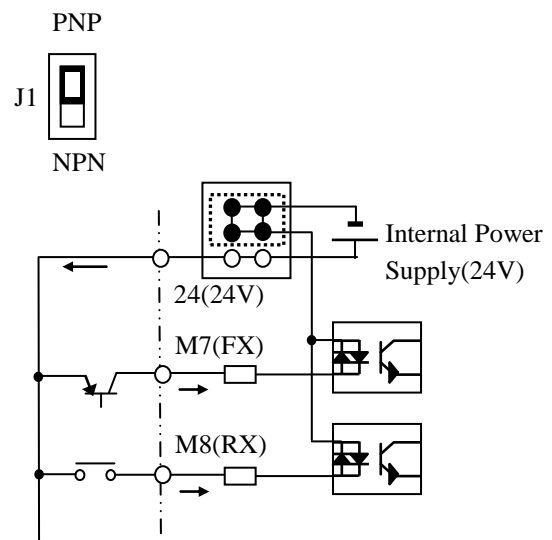
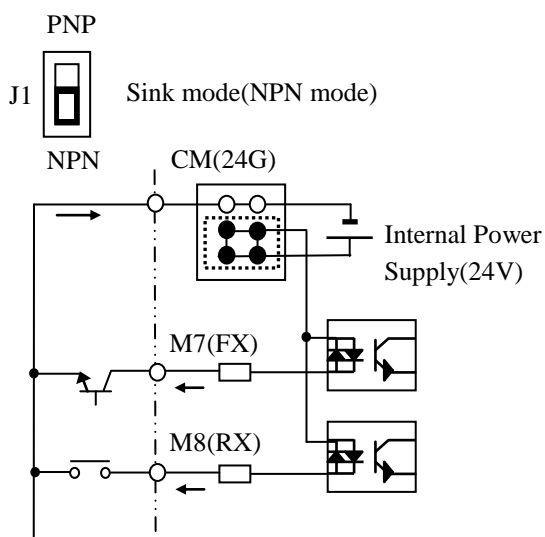
- Put J1 switch down to set to Sink mode(NPN mode). CM terminal (24V GND) is common terminal for contact signal input.
- The factory default is Sink mode(NPN mode).

(2) Source mode(PNP mode) - Internal Power Supply used

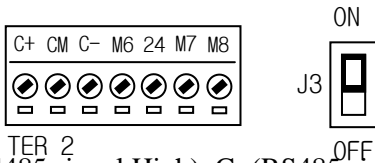
- Put J1 switch up to set to Source mode(PNP mode). Terminal 24 (24V Power Supply) is common terminal for contact input signal.

(3) Source mode(PNP mode) - External Power Supply used

- Put J1 switch up to set to Source mode(PNP mode).
- To use external 24V Power Supply, make a sequence between external Power Supply (-) terminal and CM(24V GND) terminal.



3.2.5 RS485 circuit wiring



Use C+ (RS485 signal High), C- (RS485 signal LOW) in TER 2. Turn the J3 switch ON (Upward) to connect the termination resistor (120 ohm). J3 switch is On the left side of the TER2.

Item	Specification
Transmission type	Bus method, Multi drop Link System
Applicable inverter	SV-iP5A series
Number of inverters	Max.31
Transmission distance	Within 1200m Max. (700m desired)
Recommendable cable	0.75mm ² (18AWG), Shield Type Twisted-pair Wire
Installation	C+, C-, CM terminals on the control terminal block
Power supply	Insulated from the inverter power supply

3.2.6 Check points on wiring

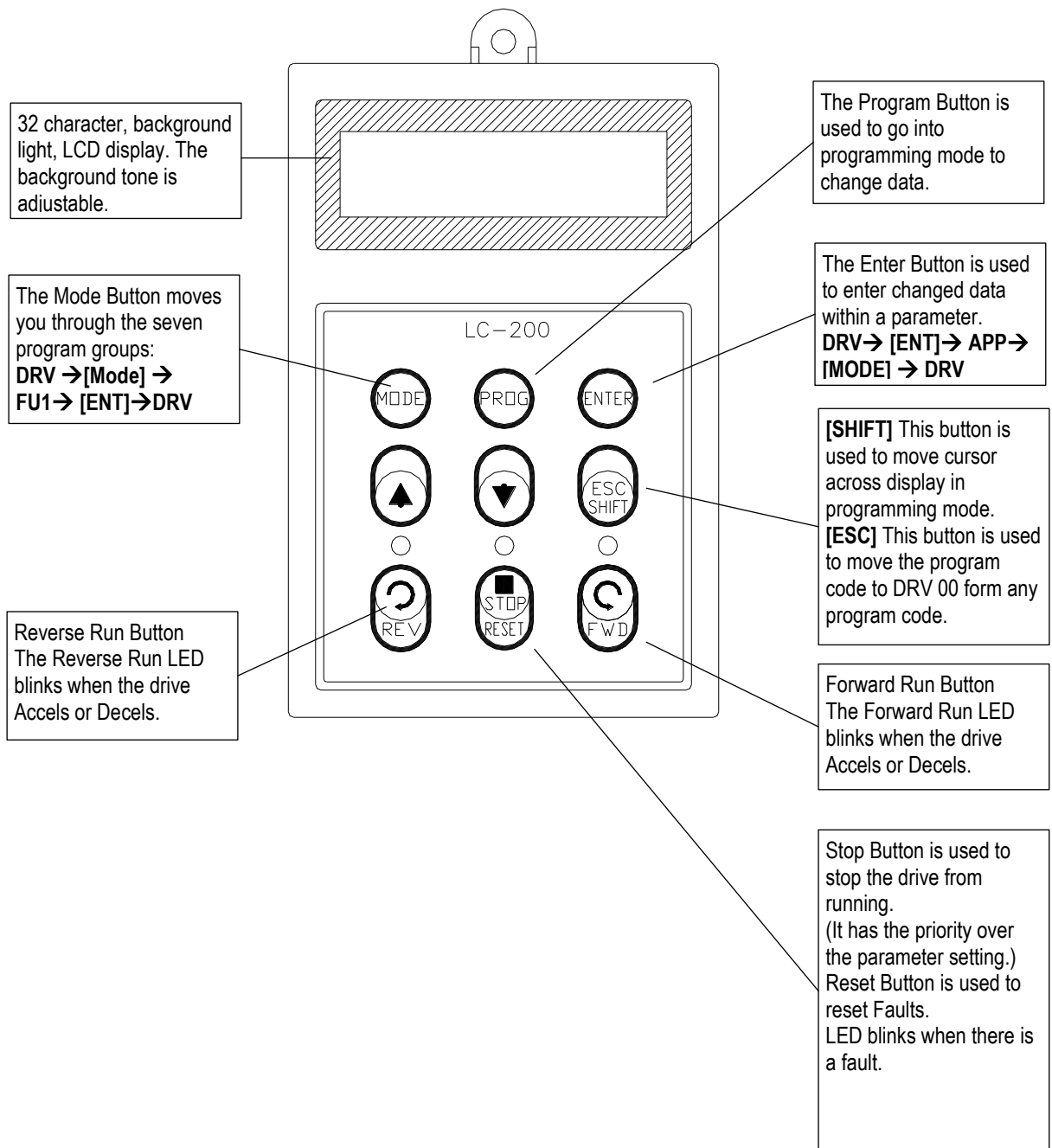
- 1) Electrical or mechanical interlock of MC1 and MC2 is required for Inverter Bypass Operation. Otherwise, chattering may occur or input power may flow to inverter output, damaging the inverter.
- 2) Make the sequence to disable the Auto restart after power failure if required. Otherwise, inverter will be automatically restarted.
- 3) Do not apply the voltage directly to control circuit input terminals such as FX, RX.

CHAPTER 4 - OPERATION

4.1 Programming Keypads

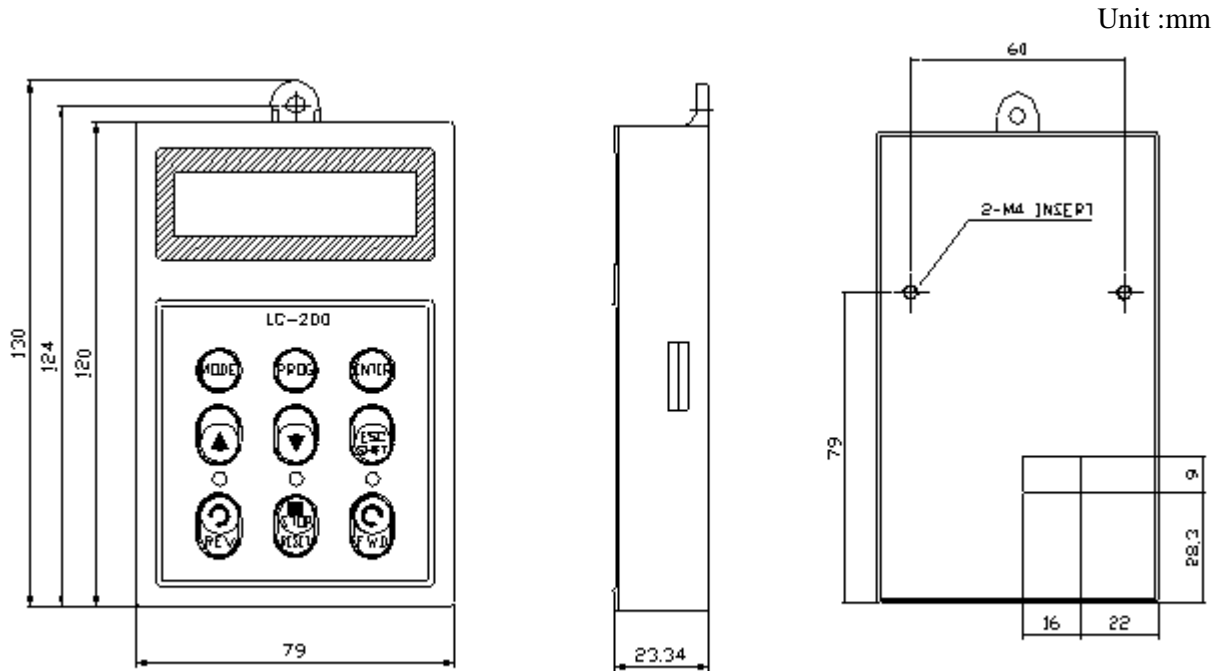
4.1.1 LCD Keypad

LCD keypad can display up to 32 alphanumeric characters, and various settings can be checked directly from the display. The following is an illustration of the keypad.



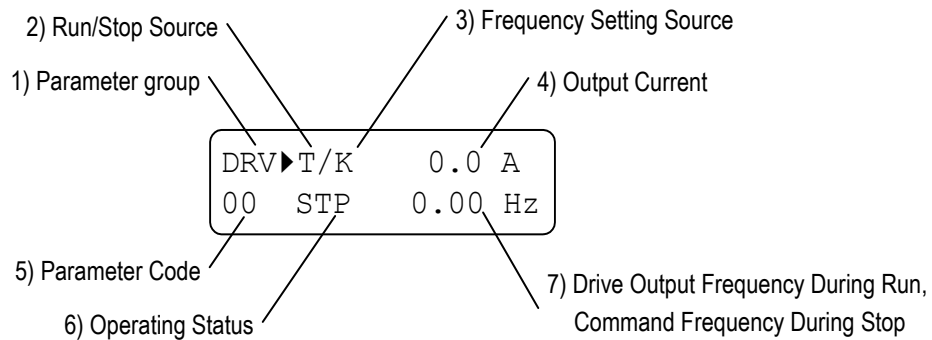
Chapter 4 - Operation

1) Keypad dimension



2) Detail description

(1) LCD Keypad Display



Displays	Description
1) Parameter Group	Displays the parameter group. There are DRV, FU1, FU2, I/O, EXT, COM, APP groups.
2) Run/Stop Source	Displays the source of motor Run and Stop K : Run/Stop using FWD, REV buttons on keypad T : Run/Stop using control terminal input FX, RX R : Run/Stop using RS485 O : Run/Stop via option board
3) Frequency Setting Source	Displays the source of command frequency setting K : Frequency setting using keypad V : Frequency setting using V1 (0 ~12V) or V1 + I terminal W : Analog frequency reference (V1S: -12 ~ 12V) I : Frequency setting using I (4 ~ 20mA) terminal P : Frequency setting using Pulse input R : Frequency setting using RS485 U : Up terminal input when Up/Down operation is selected

Displays	Description
	D: Down terminal input when Up/Down operation is selected S: Stop status when Up/Down operation is selected O: Frequency setting via Option board X: Frequency setting via Sub board J: Jog terminal input 1 ~ 15: Step frequency operation (except Jog)
4) Output Current	Displays the Output Current during operation.
5) Parameter Code	Displays the code of a group. Use the ▲(Up), ▼(Down) key to move through 0~99 codes.
6) Operating Status	Displays the operation information. STP: Stop Status FWD: During Forward operation REV: During Reverse operation DCB: During DC Braking LOP: Loss of Reference from Option Board (DPRAM fault) LOR: Loss of Reference from Option Board (Communication network fault) LOV: Loss of Analog Frequency Reference (V1: 0~12V, -10~12V) LOI: Loss of Analog Frequency Reference (I: 4~20mA) LOS: Loss of Reference from Sub-Board
7) Inverter Output Frequency/ Command Frequency	Displays the Output Frequency during run. Displays the Command Frequency during stop.

4.1.2 Parameter setting and changing

- 1) Press [**MODE**] key until the desired parameter group is displayed.
- 2) Press [▲] or [▼] keys to move to the desired parameter code. If you know the desired parameter code, you can set the code number of each parameter group in “Jump code”, except DRV group.
- 3) Press [**PROG**] key to go into the programming mode, the cursor starts blinking.
- 4) Press [**SHIFT/ESC**] key to move the cursor to the desired digit.
- 5) Press [▲] or [▼] keys to change the data.
- 6) Press [**ENT**] key to enter the data. The cursor stops blinking.

Note: Data cannot be changed when 1) the parameter is not adjustable during the inverter is running (see the function list), or 2) Parameter Lock function FU2-94 [Parameter Lock] is activated.

Chapter 4 - Operation

EX) Changing Accel time from 10 sec to 15 sec

1) LCD keypad

DRV ▶ Acc. time
01 10.0 sec

Move to the desired code to change.

DRV ▶ Acc. time
01 1█.0 sec

Press the [**PROG**] key.
A Cursor (█) will appear.

DRV ▶ Acc. time
01 15.0 sec

Use the [**SHIFT**] key to move the cursor.

DRV ▶ Acc. time
01 15.0 sec

Change the data using [**▲**], [**▼**] keys.

DRV ▶ Acc. time
01 10.0 sec

Press the [**ENT**] key to save the value into memory.
The Cursor will disappear.

4.1.3 Parameter groups

The iP5A series inverter has 5 parameter groups separated according to their applications as indicated in the following table.

The iP5A series inverter provides two kinds of keypad. One is 32-character alphanumeric LCD keypad and the other is 7-Segment LED keypad.

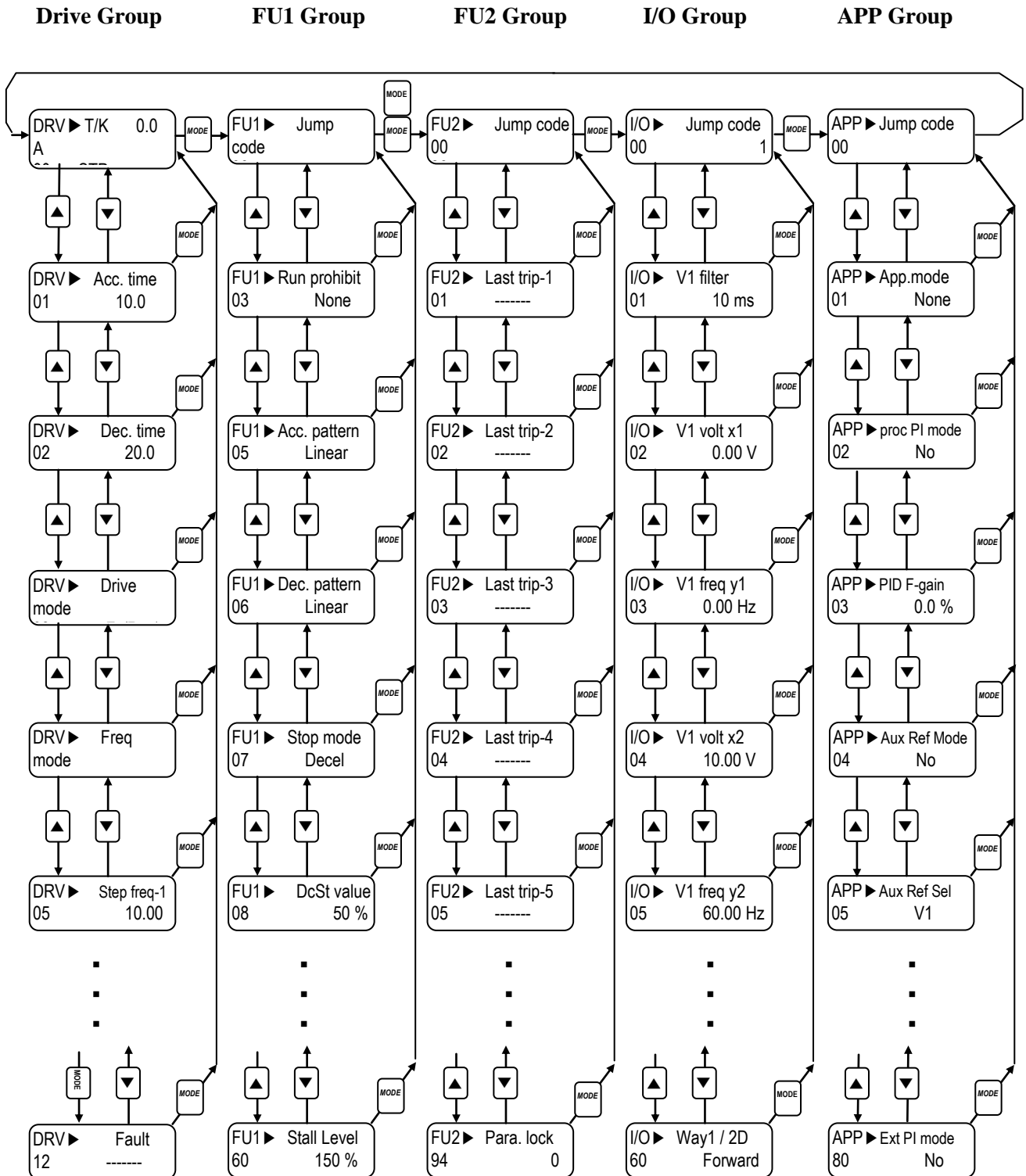
Parameter Group	LCD Keypad	Description
Drive Group	DRV	Command Frequency, Accel/Decel Time etc. Basic function Parameters
Function 1 Group	FU1	Max. Frequency, Amount of Torque Boost etc. Parameters related to basic functions
Function 2 Group	FU2	Frequency Jumps, Max/Min Frequency Limit etc. Basic Application Parameters
Input / Output Group	I/O	Programmable Digital Input/Output Terminal Setting, Auto Operation etc. Parameters needed for Sequence Operation
Application Group	APP	PID, MMC (Multi-Motor Control), 2 nd motor operation etc. Parameters related to Application function

Refer to the function descriptions for detailed description of each group.

Chapter 4 - Operation

1) Parameter Navigation (LCD Keypad)

The parameter group moves directly to DRV group by pressing [SHIFT] key in any parameter code.



Note: This figure shows the group and code navigation through LCD display keypad. It can be different from the actual display due to the group addition or code change.

4.2 Operating Example

4.2.1 Easy Start Operation

Easy Start Operation is activated by pressing STOP key on the Keypad for 2~3 seconds and inverter begins operation via Keypad (FWD/REV RUN/STOP). **Drive mode is preset to V/F and reference frequency to JOG.**

4.2.2 Operation via Control terminal + Keypad

Setting: DRV-03 [Drive Mode (Run/Stop method)] = **Fx/Rx-1**

DRV-04 [Frequency Mode (Freq. setting method)] = **Keypad**

With above setting, Freq setting via terminal & Run/Stop via Keypad disabled

1) Check the LCD display when Power ON. Otherwise, change the setting correctly as shown above.

DRV ▶ T/K	0.0 A
00 STP	0.00Hz

2) Turn the FX (or RX) terminal ON. Then FWD (or REV) LED will be lit.

DRV ▶ T/K	0.0 A
00 FWD	0.00Hz

3) When setting the Ref. Freq to 60 Hz using **PROG/ENT/SHIFT**, **▲** keys, the motor will rotate at 60Hz. FWD (or REV) LED will be flickering during Acceleration/ Deceleration.

DRV ▶ Cmd. freq	0.00Hz	→	DRV ▶ Cmd. freq	60.00Hz	→	DRV ▶ T/K	5.0 A
00	0.00Hz		00	60.00Hz		00	FWD 60.00Hz

4) Turn the FX (or RX) terminal Off. Then Stop LED will be lit.

DRV ▶ T/K	0.0 A
00 STP	60.00Hz

Note) To enable Run/Stop via keypad & Freq setting via control terminal...

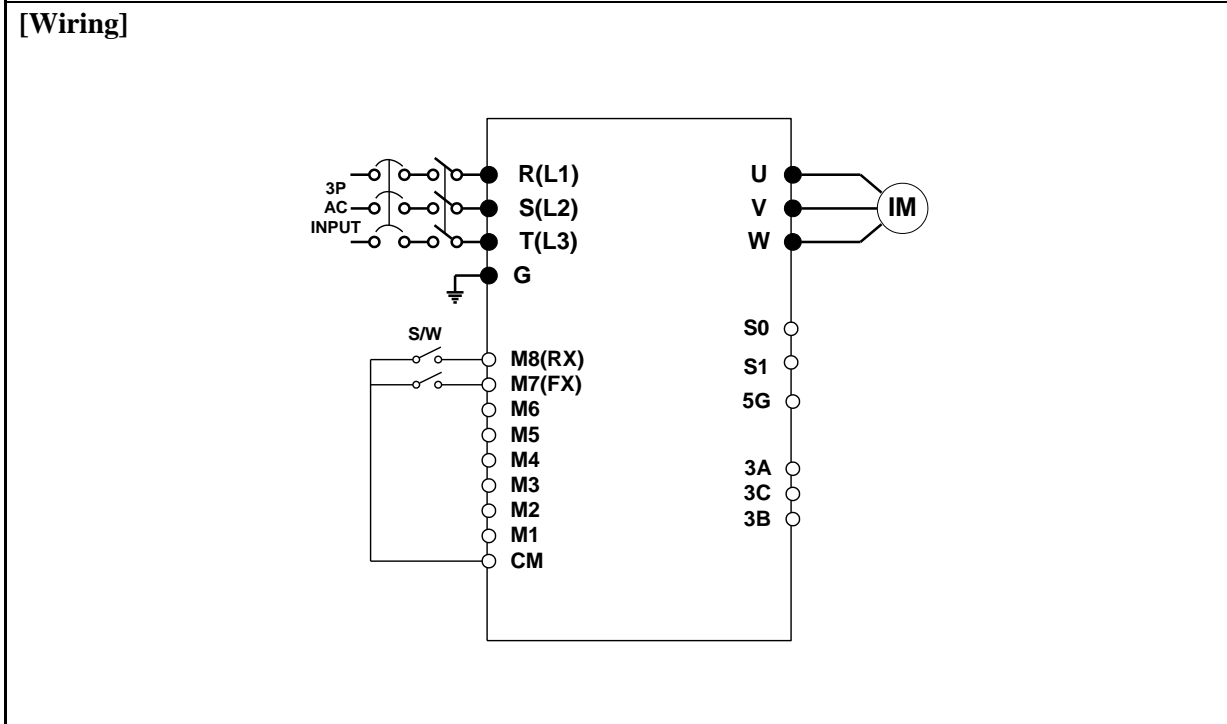
Setting: DRV-03 [Drive Mode (Run/Stop method)] = Keypad

DRV-04 [Frequency Mode (Freq. setting method)] = V1, V1S or I

Operation Example (1) Freq Setting via Keypad + Run/Stop via Terminal (FX/RX)

[Operation condition]

- Control mode: V/F control
- Ref. Frequency: 50[Hz] setting via keypad
- Accel/Decel time: Accel – 10 [sec], Decel – 20 [sec]
- Drive mode: Run/Stop via FX/RX terminal, Control terminal: NPN mode



Step	Parameter setting	Code	Description
1	Drive Mode	DRV-3	Set it to 1 FX/RX-1.
2	Frequency Mode	DRV-4	Set it to 0 Keypad-1.
3	50[Hz] freq command setting	DRV-0	Set freq command 50[Hz] via Keypad.
4	Accel/Decel time	DRV-1 DRV-2	Set Accel time to 10 [sec] in DRV-1. Set Decel time to 20 [sec] in DRV-2.
5	Terminal FX (M7)	I/O-26	Motor starts to rotate in Forward direction at 50Hz with Accel time 10 [sec] when FX terminal is turned ON. Motor decelerates to stop with Decel time 20[sec] when FX terminal is turned OFF.
6	Terminal RX (M8)	I/O-27	When RX terminal is turned ON motor starts to rotate in Reverse direction at 50[Hz] with Accel time 10 [sec]. When it is OFF, motor decelerates to stop with Decel time 20 [sec].

4.2.3 Operation via Control Terminal

Setting: DRV-03 [Drive Mode (Run/Stop method)] = 1 (F_x/R_x-1)

DRV-04 [Frequency Mode (Freq. setting method)] = 2 (V1)

1) Check the LCD display when Power ON. Otherwise, change the setting correctly as shown above.

DRV ▶ T/V	0.0 A
00 STP	0.00Hz

2) Turn the FX (or RX) terminal ON. Then FWD (or REV) LED will be lit.

DRV ▶ T/V	0.0 A
00 FWD	0.00Hz

3) Set the frequency using V1 (Potentiometer), Output freq (60Hz). Rotating direction (FWD or REV) and output current (5A) will be displayed on the LCD.

DRV ▶ T/V	5.0 A
00 FWD	60.00Hz

4) Output freq value is decreasing when turning the potentiometer counterclockwise. Inverter output stops at 0.00Hz and motor is stopped.

DRV ▶ T/V	0.0 A
00 FWD	0.00Hz

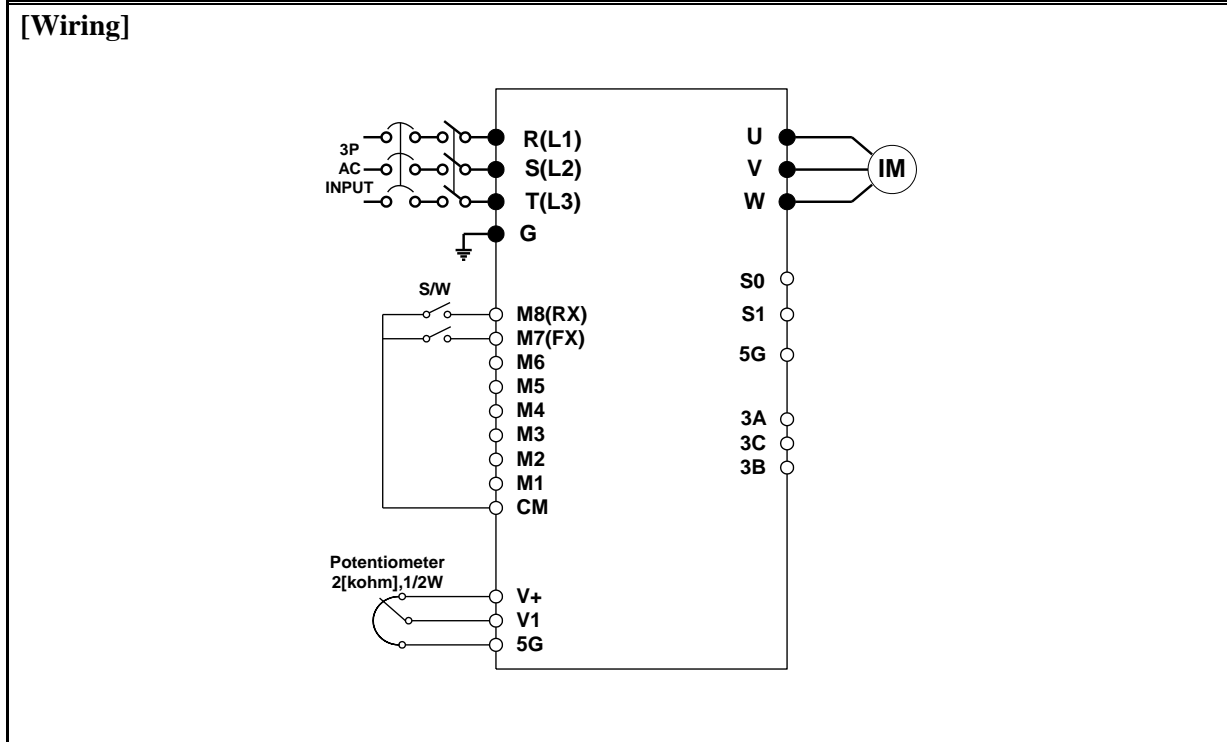
5) Turn FX (or RX) terminal OFF.

DRV ▶ T/V	0.0 A
00 STP	0.00Hz

Operation Example (2) **Analog Voltage Input (V1) + Operation via Terminal (FX/RX)**

[Operation condition]

- Control mode: V/F control
- Reference Frequency: 50[Hz] analog input via V1 (Potentiometer)
- Accel/Decel time: Accel – 10 [sec], Decel – 20 [sec]
- Drive mode: Run/Stop via FX/RX terminal, Control terminal: NPN mode



Step	Parameter setting	Code	Description
1	Drive Mode	DRV-3	Set it to 1 Fx/Rx-1.
2	Frequency Mode	DRV-4	Set it to 2 V1 Analog input.
3	50[Hz] freq command setting	DRV-0	Set freq command 50[Hz] via V1 (potentiometer).
4	Accel/Decel time	DRV-1 DRV-2	Set Accel time to 10 [sec] in DRV-1. Set Decel time to 20 [sec] in DRV-2.
5	Terminal FX (M7)	I/O-26	Motor starts to rotate in Forward direction at 50Hz with Accel time 10 [sec] when FX terminal is turned ON. Motor decelerates to stop with Decel time 20[sec] when FX terminal is turned OFF.
6	Terminal RX (M8)	I/O-27	When RX terminal is turned ON motor starts to rotate in Reverse direction at 50[Hz] with Accel time 10 [sec]. When it is OFF, motor decelerates to stop with Decel time 20 [sec].

☞ 0.75 ~ 30 kW products: Common terminal of frequency setting is 5G terminal.

☞ 37 ~ 450 kW products: Common terminal of frequency setting is CM terminal.

4.2.4 Operation via Keypad

Setting: **DRV-03** [Drive Mode (Run/Stop method)] = **0 (Keypad)**

DRV-04 [Frequency Mode (Freq. setting method)] = **0 (Keypad-1)**

1) Check the LCD display when Power ON. Otherwise, change the setting as shown above.

DRV ▶	K/K	0.0 A
00	STP	0.00Hz

2) Set the Ref. Freq to 60 Hz using **PROG/ENT/SHIFT**, **▲** keys. Set freq is displayed during stop.

DRV ▶	K/K	0.0 A
00	STP	60.00Hz

3) When pressing **FWD/REV** key, motor starts running and output freq and output current are displayed.

DRV ▶	K/K	5.0 A
00	FWD	60.00Hz

4) Press **STOP/RESET** key. Then motor decelerates to stop. Set freq 60Hz is displayed.

DRV ▶	K/K	0.0 A
00	STP	60.00Hz

4.3 Various function setting & Description

4.3.1 Basic function parameter setting

It is the basic function setting. All settings are factory defaults unless users make change. It is recommended to use factory setting value unless the parameter change is necessary.

1) Common parameter setting

The following table shows common parameter setting that should be checked before use regardless of control mode.

Parameter Name	Code	Description
Line Freq.	FU1-29	Sets a freq of the inverter input power source.
Base Frequency	FU1-31	Sets the Motor Base Frequency ¹⁾ .
Motor Rated Voltage	FU1-50	Sets the Motor Rated Voltage ¹⁾ .
Motor Selection	FU2-40	Selects motor and voltage rating suitable to the desired inverter.
Motor parameters	FU2-41 ~ 46	Basic parameter value setting when selecting the motor rating. Note: If there is any discrepancy between parameter preset value and the actual motor parameter value, change the parameter value according to the actual motor.
Drive Mode	DRV-3	Operation via Keypad, Fx/Rx-1, Fx/Rx-2 and Int 485 setting.
Frequency Mode	DRV-4	Frequency reference source setting parameter
Accel/Decel time setting	DRV-1, DRV-2	Accel/Decel time setting

1) If FU1-31 and FU1-50 are set higher than motor nameplate value, it may cause motor overheat and if it is set smaller than that, it may cause Over voltage trip during deceleration. Make sure to enter the actual motor value.

2) V/F control

FU2-60 [Control mode] is set to 0 “V/F” as factory setting. Operation via V/F control is activated after the above common parameter setting is done and the followings are set.

Parameter Name	Code	Description
Starting freq.	FU1-32	Set frequency to start the motor.
Torque boost	FU2-67	Manual or Auto torque boost settable in this parameter
Torque boost value	FU2-68, FU2-69	If FU1-67 [torque boost] is set to “manual”, user sets the desired value and the direction in code FU1-68 and 69.

3) Slip compensation

Operation is done via Slip compensation if FU2-60 is set to 1 {Slip compen}. This control keeps motor speed constant regardless of load change.

4) Sensorless vector control

Set FU2-60 to “Sensorless” to enable Sensorless vector control. It is strongly recommended to perform **Auto-tuning** before starting Sensorless control in order to maximize performance.

Parameter Name	Code	Description
Control method selection	FU2-60	Select Sensorless.
P, I gain for sensorless control	FU2-65, FU2-66	Set gain for Sensorless.
Starting freq	FU1-32	Starting freq of the motor

Note) No-load current for Sensorless control is not entered by auto-tuning. Therefore enter the no-load current value in V/F operation. When other than LS standard motor is used, set this value according to the motor in use for better performance.

5) Auto-tuning of motor constant

This parameter enables auto-tuning of the motor constants. If FU2-61 is set to Yes and press the enter key, **Rs**, **Lsigma** values begin tuning with the motor stopped. Refer to motor nameplate for the rest of other parameters.

Parameter Name	Code	Description
Auto-tuning	FU2-61	No, Yes

Note) Motor no-load current and slip freq should be set correctly for safe and better performance. Be sure to check these values and set them properly. Refer to Chapter 5, FU2-40~66 for more.

4.3.2 Advanced function setting

SV-iP5A inverter features advanced function parameters to maximize efficiency and performance of the motor. It is recommended to use the factory setting unless parameter value change is inevitable.

1) V/F control

Parameter Name	Code	Description
V/F Pattern	FU1-40	Use it according to load characteristics. If User V/F is selected, user can select the optimum output V/F characteristic for the application and load characteristics in [FU1-41]~[FU1-48].
Dwell operation	FU2-07 FU2-08	Used to output torque in an intended direction. Inverter stops acceleration for the preset [FU2-08] Dwell time while running at Dwell frequency [FU2-07] and starts acceleration at commanded frequency. Setting [FU2-08] Dwell time to 0 disable the Dwell operation.
Jump Frequency	FU2-10 FU2-11~16	When it is desired to avoid resonance attributable to the natural frequency of a mechanical system, these parameters allow resonant frequencies to be jumped. Up to three areas can be set, with the jump frequencies set to either the top or bottom point of each area. To enable the function, set [FU2-10] to ‘Yes’ and set the value in [FU2-11]~[FU2-16].
Accel/Decel pattern S-curve	FU1-2, 3 FU1-4, 5	This pattern has an effect on the prevention of cargo collapse on conveyor etc and reduction in an acceleration/ deceleration shock.

Chapter 4 - Operation

2) Sensorless vector control

Related parameters for starting in **Sensorless vector control** when FU2-60 [Control Mode Selection] is set to Sensorless.

Parameter Name	Code	Description
When starting	FU2-64	Pre-excitation time setting
	I/O-20~27	Programmable Digital Input terminals define

3) Parameters to monitor motor and inverter status

Parameter Name	Code	Description
Output current/ motor speed	DRV-8~9	Displays output current and motor rpm.
DC link voltage	DRV-10	Displays DC link voltage.
User display selection (Voltage and watt)	DRV-11 FU2-81	Either output voltage or power selected in FU2-81 is displayed in DRV-11.
Fault display	DRV-12	Displays the current inverter fault.
TAR / OUT Freq. display	DRV-14	Displays Target freq. for Accel/Decel & Output freq during Accel/Decel.
REF/FBK display	DRV-15	Displays PID Reference/ Feedback frequency display.
Speed (Hz / Rpm) selection	DRV-16	Selects inverter output speed unit [Hz or Rpm]
PID parameter	DRV-18	Displays related parameters of PID controller.
AD parameter	DRV-19	Displays inverter analog input value to AD value.
EXT - PID parameter	DRV-20	Displays related parameters of EXT-PID controller.

Note) DRV-15, DRV-18 only displayed when APP-02 [proc PI mode] is set to “Yes.” DRV-20 only displayed when APP-80 [Ext PI mode] is set to “Yes.”

5) Parameter initialize

Parameter Name	Code	Description
Software version	FU2-82	Displays the inverter software version.
Parameter Read/Write/Initialize/ Lock	FU2-91	[FU2-91], [FU2-92]: Copying parameters from other inverter
	FU2-92	
	FU2-93	[FU2-93]: Initializing parameters to factory setting values
	FU2-94	[FU2-94]: Parameter write disabled
	FU2-95	[FU2-95]: Parameter save

Note: Motor parameters (FU2-40~46, FU2-62~63) returned to factory setting once Parameter Read/Write is executed.

6) Protection & Trip level setting

Parameter Name	Code	Description
Electronic thermal	FU1-60 FU1-61 FU1-62 FU1-63	Protection of the motor from overheating without the use of external thermal relay. Refer to parameter descriptions for more detail.
Overload alarm & trip	FU1-64 FU1-65 FU1-66 FU1-67 FU1-68	Warning alarm outputs and displays the trip message when overcurrent above the threshold value keeps on.
Stall prevention	FU1-70 FU1-71	Set the output current level at which the output freq will be adjusted to prevent the motor from stopping due to over-current etc. It activates during accel/ constant speed/decel to prevent the motor stall.

7) Starting / Accel/ Decel / Stopping pattern setting

Parameter Name	Code	Description
Accel/Decel pattern	FU1-02 FU1-03	2 types of Accel/Decel pattern: 'S-curve', 'U-curve' settable according to application and load characteristic. If 'S-curve' is selected, the desired value of [FU1-4], [FU1-5] is settable.
Starting/Stopping method	FU1-20 FU1-23	4 types of stopping method 'Decel', 'DC-brake', 'Free-run', 'Flux Brake' selectable. If 'DC-brake' is selected, the desired value of [FU1-21, 22], [FU1-24]~ [FU1-27] is settable. See function description of chapter 5 for more details.
Frequency Limit selection	FU1-33 FU1-34 FU1-35	Limits the active frequency. Inverter operates at the freq range between upper freq limit [FU1-35] and bottom freq limit [FU1-34] and higher/ lower freq value is entered, it is automatically replaced by limit value. Setting range: [FU1-30] Maximum freq to [FU1-32] starting freq.

8) Operation-starting method

Parameter Name	Code	Description
Starting method	FU2-20 FU2-21 FU2-25 FU2-26	Motor starting method: [FU2-20]: Power-on run, [FU2-21] Restart after Fault Reset, [FU2-25] Number of Auto Restart Attempt [FU2-26] Delay Time Before Auto Restart See parameter description for more details.
Speed Search Selection	FU2-22 FU2-23 FU2-24	Speed search function is available during Accel, trip, instant power failure, restart after fault reset and Speed search at auto restart. See parameter description for more details.

4.3.3 Application function setting

1) PID operation

Inverter can be used to exercise process control, e.g. flow rate, air volume or pressure via PID feedback control.

Parameter Name	Code	Description
PID control setting	APP-02 ~ APP-17	Parameters for PID control setting

☞ See Chapter 6. PID feedback operation.

2) Ext PID operation

It is used for External PID feedback control.

Parameter Name	Code	Description
ExtPID setting	APP-80 ~ APP-97	Parameters for Ext PID

☞ See Chapter 6. External PID operation.

3) Pre PID operation

It helps to begin smooth start of the PID control.

Parameter Name	Code	Description
PrePID setting	APP-74 ~ APP-76	Parameters for Pre PID operation

☞ See Chapter 6. Pre PID operation.

4) MMC operation

Inverter controls a whole system by controlling Main motor connected directly to the inverter and Aux motors connected to the inverter relays and operated via relay On/Off.

Parameter Name	Code	Description
MMC setting	APP-40 ~ APP-71 I/O-20 ~ I/O-27	Parameters for MMC operation

☞ See Chapter 6. MMC operation.

5) Jog and Multi-speed operation

Parameter Name	Code	Description
Multi function input terminal setting	I/O-20 ~27	If I/O-20 ~27 are set to Speed-H, Speed-M, Speed-L, multi- speed operation up to speed 17 is available.
Filter time constant for input terminal	I/O-29	Effective for eliminating noise in the freq. Setting circuit
Speed reference value	DRV-05 ~07 I/O-31 ~ I/O-42	Speed reference value for each step setting
Accel/Decel time setting for each step	I/O-50 ~ 63	Accel/Decel time for each step setting
Jog freq.	I/O-30	Jog freq for jog operation setting

Speed-X	Speed-H	Speed-M	Speed-L	JOG	Speed Command	Parameter value
0	0	0	0	0	Speed 0	DRV-00
0	X	X	X	1	Jog freq.	I/O-20
0	0	0	1	0	Speed -1	DRV-05
0	0	1	0	0	Speed -2	DRV-06
..
..
1	1	0	1	0	Speed -13	I/O-40
1	1	1	0	0	Speed -14	I/O-41
1	1	1	1	0	Speed -15	I/O-42

6) 2nd motor operation

2nd function setting is required to run the two motors by one inverter by exchange. If the terminal defined for 2nd function signal input is turned ON, 2nd motor operation is valid.

Parameter Name	Code	Description
Programmable Digital Input terminals setting	I/O-20 ~27	2 nd motor operation is available with Programmable Digital Input terminals M1 ~ M8 set to 7 {2 nd Func}.
Parameter setting for 2 nd motor operation	APP-20 ~ APP-29	Setting parameters necessary to operate 2 nd motor such as base freq., Accel/Decl time, Stall.

7) Energy-saving operation

FU1-51 [Energy Save Level] tunes the inverter output voltage to minimize the inverter output voltage during constant speed operation. Appropriate for energy-saving applications such as fan, pump and HVAC.

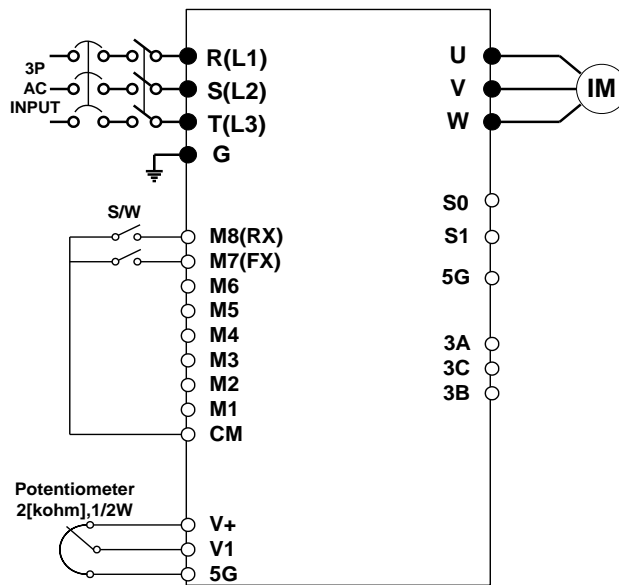
4.4 Operation Example

Operation Example (1)	V/F Control + Analog Voltage Input (V1) + Operation via Terminal (FX/RX)
------------------------------	---

[Operation condition]

- Control mode: V/F control
- Frequency command: 50[Hz] analog input via V1 terminal
- Accel/Decel time: Accel – 15 [sec], Decel – 25 [sec]
- Drive mode: Run/Stop via FX/RX terminal, Control terminal: NPN mode

[Wiring]



Step	Parameter setting	Code	Description
1	Control Mode Selection	FU2-60	Set it to 0 {V/F}.
2	Drive Mode	DRV-3	Set it to Fx/Rx-1.
3	Frequency Mode	DRV-4	Set V1 Analog input value in frequency mode.
4	50[Hz] freq command setting	DRV-0	Set freq command 50[Hz] via V1 (potentiometer).
5	Accel/Decel time	DRV-1 DRV-2	Set Accel time to 15 [sec] in DRV-2. Set Decel time to 25 [sec] in DRV-3.
6	Terminal FX	I/O-26	Motor starts to rotate in Forward direction at 50Hz with Accel time 15 [sec] when FX terminal is turned ON. Motor decelerates to stop with Decel time 25[sec] when FX terminal is turned OFF.
7	Terminal RX	I/O-27	When RX terminal is turned ON motor starts to rotate in Reverse direction at 50[Hz] with Accel time 15 [sec]. When it is OFF, motor decelerates to stop with Decel time 25 [sec].

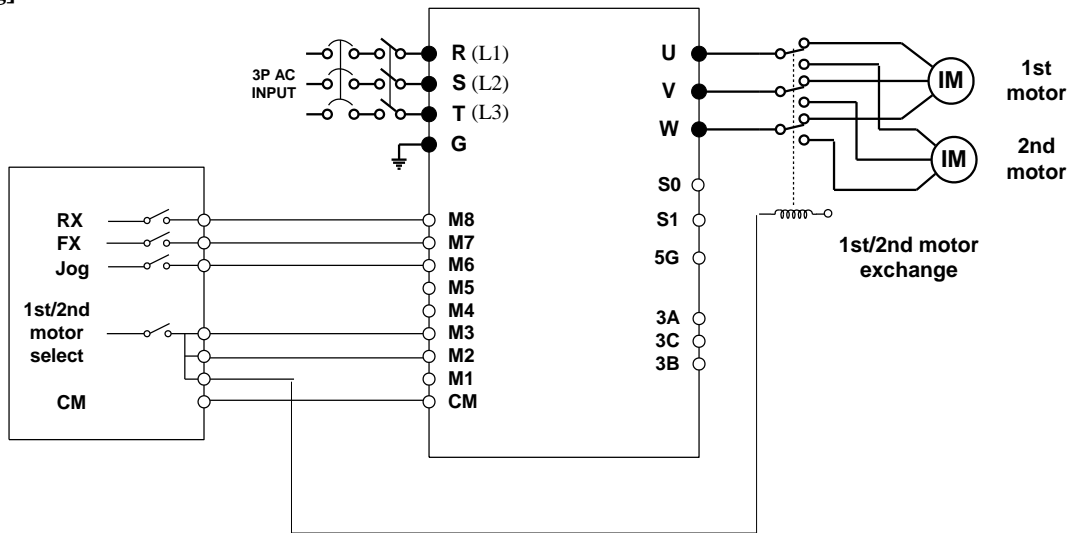
☞ 0.75 ~ 30 kW products: Common terminal of frequency setting is 5G terminal.
 ☞ 37 ~ 450 kW products: Common terminal of frequency setting is CM terminal.

Operation Example (2) **2nd motor operation**

[Operation condition]

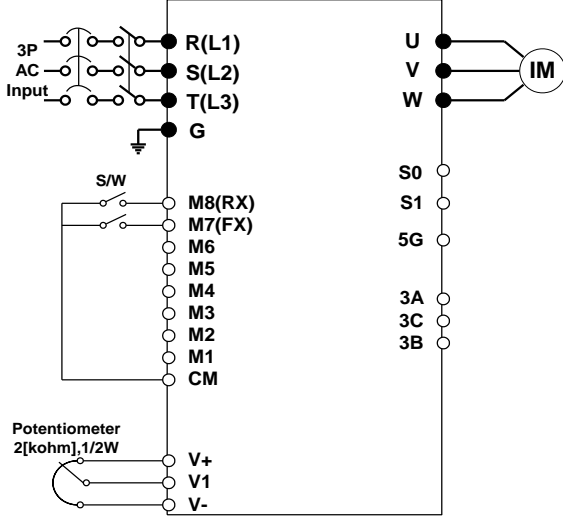
- Control mode: V/F control
- 1st motor + 2nd motor Operation by exchange using [2nd Func] (Set Value different)
- Frequency command: Using Multi-step operation 1st motor --- 50[Hz] as main speed
2nd motor --- 20[Hz] with M1 terminal set as multi- step operation)
- Accel/Decel time: 1st motor --- Accel time: 15[sec], Decel time: 25 [sec]
2nd motor --- Accel time: 30[sec], Decel time: 40 [sec]
- Drive mode: Run/Stop via FX/RX, Control terminal: NPN mode

[Wiring]



Step	Parameter setting	Code	Description
1	Control Mode Selection	FU2-60	Set it to 0 {V/F}.
2	Drive mode	DRV-3	Set it to Fx/Rx-1.
3	Frequency Mode setting	DRV-4	Set it to 0 {keypad-1}. 1 st motor freq setting
4	Programmable digital input terminal M1	I/O-20	Set M1 to 2nd Func.
5	Programmable digital input terminal M2	I/O-21	Set M2 to Speed-L. 2 nd motor freq setting
6	Freq setting for 1 st motor	DRV-0	Set it to 50[Hz].
7	Accel/Decel time setting for 1 st motor	DRV-1, DRV-2	Set Accel/Decel time to 15[sec]/25[sec].
8	Freq setting for 2 nd motor	DRV-5	Set it to 10[Hz].
9	Accel/Decel time setting for 2 nd motor	APP-20, APP-21	Set Accel/Decel time to 30[sec]/50[sec].
10	1 st motor operation		Set it as main motor by turning M1, M2, Output relay OFF. Run the motor in FWD/REV direction using FX/RX terminal.
11	2 nd motor operation		Set 2 nd motor parameters by turning terminal M1 ON. Change the freq setting to 20[Hz] by turning terminal M2 ON. Change to 2 nd motor terminal by turning output relay ON. Run the motor in FWD/REV direction by terminal FX/RX.

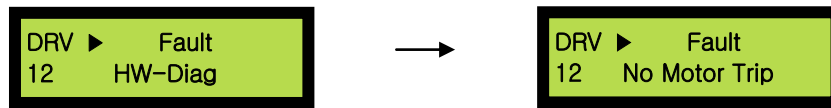
Chapter 4 - Operation

Operation Example (3)	V/F control + Analog input (V1S) + Operation via terminal FX/RX		
<p>[Operation condition]</p> <ul style="list-style-type: none"> - Control mode: V/F control - Frequency command: Setting 50[Hz] via Analog input (V1S) - Accel/Decel time: Accel time 15 [sec], Decel time 25 [sec] - Drive mode: Run/Stop via FX/RX, Control terminal: NPN mode 			
<p>[Wiring]</p> 			
Step	Parameter setting	Code	Description
1	Control mode selection	FU2-60	Set it to 0 {V/F}.
2	Drive mode	DRV-3	Set it to 1 {Fx/Rx-1}.
3	Frequency mode	DRV-4	Set it to 3 {V1S}.
4	Operating frequency command 50[Hz] setting	DRV-0	Set 50[Hz] via potentiometer (V1S).
5	Accel/Decel time setting	DRV-1 DRV-2	Set Accel time to 15[sec] in DRV-1 with decel time to 25[sec] in DRV-2.
6	FX terminal (M7)	IO-26	When FX terminal is turned ON, motor rotating in forward direction starts running at 50[Hz] for 15 [sec]. When FX terminal is turned OFF, motor decelerates to stop for 25[sec].
7	RX terminal (M8)	IO-27	When RX terminal is turned ON, motor rotating in reverse direction starts running at 50[Hz] for 15[sec]. When RX terminal is turned OFF, motor decelerates to stop for 25 [sec].

☞ **Note: V1S mode enables Forward/Reverse rotation using $\pm 12V$ power via Analog input command. Refer to Chapter 6, Parameter description of DRV-00 for details.**

☞ **Note: Use V1 instead of V1S mode when FWD/REV Run Prevention is active. V1S mode enables the motor to run both FWD/REV directions.**

☞ **Note:** If the inverter is operated without wiring a motor, trip occurs as below because the protection function is active automatically. In this case, refer to the related parameters(FU1 57 ~ 59). Trip is reset if the inverter is powered down and up once again.



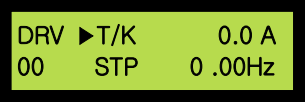
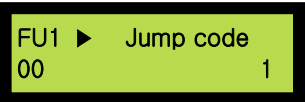
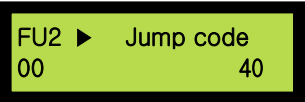

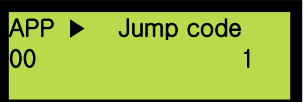
In case that a simple trial run is needed such as a check on basic operation state without a wiring a motor, FU1-57(No Motor Sel) should be set to [No].



CHAPTER 5 - PARAMETER LIST

5.1 Parameter groups

The parameters of SV-IP5A Series are divided into 5 functions groups in accordance with the application. Their names, principal contents and LCD keypad displays are shown below.

Name of Group	LCD Keypad Display	Description
Drive Group [DRV]		Target frequency and Accel/ Decel Time, etc. Basic parameters
Function1 Group [FU1]		Maximum Frequency and Protection, etc Parameters regarding basic functions
Function2 Group [FU2]		Frequency Jump and Frequency Limit, etc Parameters regarding application functions
Input/Output Group [I/O]		Programmable Digital terminal Define and Analog Command, etc Parameters necessary for sequence configuration
Application Group [APP]		PID, MMC, and 2 nd motor, etc Parameters regarding application functions

5.2 Parameter list

[DRV Group]

CODE	Comm. Addr	Description	LCD Keypad Display	Setting Range	Factory Default	Adj. During Run	Page
DRV-00 (1)	9100	Command Frequency (Output Frequency during motor run, Reference Frequency during motor stop), Output Current (LCD)	Cmd. freq	0 to FU1-30[Hz]	0 [Hz]	O	6-1
DRV-01	9101	Acceleration Time	Acc. Time	0 to 6000 [sec]	20 [sec]	O	6-2
					60 [sec]		
DRV-02	9102	Deceleration Time	Dec. time	0 to 6000 [sec]	30 [sec]	O	6-2
					90 [sec]		
DRV-03	9103	Drive Mode (Run/Stop Method)	Drive mode	0 (Keypad) 1 (Fx/Rx-1) 2 (Fx/Rx-2) 3 (Int. 485)	1 (Fx/Rx-1)	X	6-2
DRV-04	9104	Frequency Mode (Frequency setting method)	Freq mode	0 (Keypad-1) 1 (Keypad-2) 2 (V1) 3 (V1S) 4 (I) 5 (V1+I) 6 (Pulse) 7 (Int. 485) 8 (Ext. PID)	0 (Keypad-1)	X	6-3
DRV-05 (19)	9105	Step Frequency 1	Step freq-1	0 to FU1-30[Hz]	10 [Hz]	O	6-3
DRV-06	9106	Step Frequency 2	Step freq-2		20 [Hz]	O	
DRV-07	9107	Step Frequency 3	Step freq-3		30 [Hz]	O	
DRV-08	9108	Output Current	Current	* [A]	* [A]	*	6-4
DRV-09	9109	Motor Speed	Speed	* [rpm]	* [rpm]	*	6-4
DRV-10	910A	DC link Voltage	DC link Vtg	* [V]	* [V]	*	6-4
DRV-11	910B	User Display Selection	User disp		Output voltage [V]	*	6-4
DRV-12	910C	Current Trip Display	Fault	*	*	*	6-4
DRV-14 (2)	910E	Target/Output Frequency Display	Tar. Out. Freq.	* [Hz]	* [Hz]	*	6-5
DRV-15 (2)	910F	Reference/Feedback Frequency Display	Ref. Fbk. Freq.	* [Hz]	* [Hz]	*	6-5
DRV-16	9110	Speed Unit Selection	Hz/Rpm Disp	Hz or Rpm	Hz	O	6-5
DRV-18 (2)	9112	PID Parameter	R T F O	* [Hz]	* [Hz]	X	6-5
DRV-19	9113	AD Parameter	V1 V2 V1S I	*	*	X	6-6
DRV-20 (3)	9114	EXT-PID Parameter	R T F O	%	%	X	6-6
DRV-22	9116	Local/Remote Key	LocalRemKey	0.(2nd Source) 1 (Cntl&RefStop) 2 (Control Stop) 3 (Ref Only) 4 (Cntl&Ref Run) 5 (Control Run) 6 (Disable)	1.Cntl&RefStop	O	6-6

CODE	Comm. Addr	Description	LCD Keypad Display	Setting Range	Factory Default	Adj. During Run	Page
DRV-23	9117	Keypad Mode	Key Ref Mode	1 (Minimum Spd) 2 (Last Spd) 3 (Preset Spd 1) 4 (Stop) 5 (Fault) 6 (Disable)	5 Disable	0	6-7
DRV-91 (4)	915B	Drive mode 2	Drive mode2	0 (Keypad) 1 (Fx/Rx-1) 2 (Fx/Rx-2)	1 (Fx/Rx-1)	X	
DRV-92	915C	Frequency mode 2	Freq mode2	0 (Keypad-1) 1 (Keypad-2) 2 (V1) 3 (V1S) 4 (I) 5 (V1+I) 6 (Pulse)	0 (Keypad-1)	X	

* The gray-highlighted codes are hidden parameters and will appear when the related functions are to be set.

(1) The speed unit is changed from [Hz] to [%] when DRV-16 is set to [Rpm]. Only User Unit will be displayed when APP-02 is set to [Yes] and when APP-06 is set to either I, V1 or Pulse and when one of I/O-86~ I/O-88 is set to either [Speed] (Hz or Rpm), [Percent], [Bar], [mBar], [kPa] or [Pa].

Output Frequency (Hz or Rpm; Unit of output speed) is displayed in DRV-00 during the Inverter is running. User Unit reference (Unit of PID controller selected) is displayed in DRV-00 during the Inverter is not running.

(2) DRV-15, DRV-18 will appear when APP-02 [Process PI Mode] is set to “Yes”. Also User Unit is displayed when one of I/O-86~ I/O-88 is set to either [Speed](Hz or Rpm), [Percent], [Bar], [mBar], [kPa] or [Pa].

(3) DRV-20 will appear when APP-80 [ExtProcess PI Mode] is set to “Yes”.

(4) DRV-91/92 will appear only when DRV-22 is set to [2nd Source].

Chapter 5 - Parameter List

[FU1 GROUP]

CODE	Comm. Addr	Description	LCD Keypad Display	Setting Range	Factory Default	Adj. During Run	Page		
FU1-00	9200	Jump to Desired Code #	Jump code	1 to 74 (Use Only LCD Keypad)	1	O	6-8		
FU1-01	9201	Run Prevention	Run prevent	0	(None)	0 (None)	X	6-8	
				1	(Fwd prev)				
				2	(Rev prev)				
FU1-02	9202	Acceleration Pattern	Acc. Pattern	0	(Linear)	0 (Linear)	X	6-8	
				1	(S-curve)				
				2	(U-curve)				
FU1-03	9203	Deceleration Pattern	Dec. Pattern	0	(Linear)	0 (Linear)	X	6-8	
				1	(S-curve)				
				2	(U-curve)				
FU1-04 (5)	9204	Start Curve for S-Curve Accel/Decel Pattern	Start SCurve	0 to 100 [%]	50 [%]	X	6-8		
FU1-05	9205	End Curve for S-Curve Accel/Decel Pattern	End SCurve	0 to 100 [%]	50 [%]	X			
FU1-10	920A	Pre-Heat	Pre-Heat mode	0	(No)	0 (No)	X	6-9	
				1	(Yes)				
FU1-11	920B	Pre-Heat Value	Pre Heat level	1 to 50 [%]	30 (%)	X			
FU1-12	920C	Pre-Heat Duty	Pre Heat Perc	1 to 100 [%]	50 (%)	X			
FU1-20	9214	Start Mode	Start mode	0	(Accel)	0 (Accel)	X		6-10
				1	(Dc-start)				
				2	(Flying-start)				
FU1-21 (6)	9215	Starting DC Injection Braking Time	DcSt time	0 to 60 [sec]	0.1 [sec]	X	6-10		
FU1-22	9216	Starting DC Injection Braking Value	DcSt value	0 to 150 [%]	50 [%]	X			
FU1-23	9217	Stop Mode	Stop mode	0	(Decel)	0 (Decel)	X	6-10	
				1	(Dc-brake)				
				2	(Free-run)				
				3	(Flux-brake)				
FU1-24 (7)	9218	DC Injection Braking On-delay Time	DcBlk Time	0.1 to 60 [sec]	0.1 [sec]	X	6-11		
FU1-25	9219	DC Injection Braking Frequency	DcBrk freq	0.1 to 60 [Hz]	5 [Hz]	X			
FU1-26	921A	DC Injection Braking Time	DcBr time	0 to 60 [sec]	1 [sec]	X			
FU1-27	921B	DC Injection Braking Value	DcBr value	0 to 200 [%]	50 [%]	X			
FU1-28	921C	Safety Stop	Safety Stop	0	(No)	0 (No)	X	6-12	
				1	(Yes)				
FU1-29	921D	Power Source Freq	Line Freq	40 to 120 [Hz]	60.00 [Hz]	X	6-12		
FU1-30	921F	Maximum Frequency	Max Freq	30 - 120 [Hz]	60.00 [Hz]	X	6-13		
FU1-31	9220	Base Frequency	Base Freq	0.01 - 10 [Hz]	60.00 [Hz]	X	6-13		
FU1-32	9220	Starting Frequency	Start Freq	0.01 to 10 [Hz]	0.50 [Hz]	X	6-13		
FU1-33	9221	Frequency Limit selection	Freq limit	0	(No)	0 (No)	X	6-13	
				1	(Yes)				

CODE	Comm. Addr	Description	LCD Keypad Display	Setting Range	Factory Default	Adj. During Run	Page	
FU1-34 (8)	9222	Freq Lower Limit	Lim Lo Freq	0 – FU1-35	0.50 [Hz]	○	6-13	
FU1-35	9223	Freq Upper Limit	Lim Hi Freq	FU1-34 – FU1-30	60.00 [Hz]	X	6-13	
FU1-40	9228	Volts/Hz Pattern	V/F Pattern	0	(Linear)	0 (Linear)	X	6-14
				1	(Square)			
				2	(User V/F)			
FU1-41 (9)	9229	User V/F – Frequency 1	User freq 1	0 to FU1-30	15.00 [Hz]	X	6-14	
FU1-42	922A	User V/F – Voltage 1	User volt 1	0 to 100 [%]	25 [%]	X		
FU1-43	922B	User V/F – Frequency 2	User freq 2	0 to FU1-30	30.00 [Hz]	X		
FU1-44	922C	User V/F – Voltage 2	User volt 2	0 to 100 [%]	50 [%]	X		
FU1-45	922D	User V/F – Frequency 3	User freq 3	0 to FU1-30	45.00 [Hz]	X		
FU1-46	922E	User V/F – Voltage 3	User volt 3	0 to 100 [%]	75 [%]	X		
FU1-47	922F	User V/F – Frequency 4	User freq 4	0 to FU1-30	60.00 [Hz]	X		
FU1-48	9230	User V/F – Voltage 4	User volt 4	0 to 100 [%]	100[%]	X		
FU1-49	9231	Input voltage adjustment 200/400/(600V type)	VAC Voltage	73 to 115.0 [%] (77.6 to 115.0 [%])	100.0 [%]/ 86.4 [%] (100.0 [%])	X	6-15	
FU1-50	9232	Motor Rated Voltage (600V type)	Motor Volt	0 to 600 [V]	220/380 [V] (575[V])	X	6-15	
FU1-51	9233	Energy Save	Energy save	0	(None)	0 (None)	X	6-15
				1	(Manual)			
				2	(Auto)			
FU1-52 (10)	9234	Energy Save %	Manual save%	0 to 30 [%]	0 [%]	○		
FU1-54(13)	9236	Integrating Wattmeter	KiloWattHour	M kWh	*	X	6-16	
FU1-55	9237	Inverter Temperature	Inv. Temp.	0 to 160 [degree]	*	X	6-16	
FU1-56	9238	Motor Temperature	Motor Temp.	0 to 160 [degree]	*	X	6-16	
FU1-57	9239	No Motor Selection	No Motor Sel	0	(No)	0 (No)	X	6-16
				1	(Yes)			
FU1-58	923A	Trip Current Level	No Motor Level	5 to 100 [%]	15 [%]	X	6-16	
FU1-59	923B	Trip Time Setting	No Motor Time	0.5 to 10.0 [sec]	3.0 [sec]	X	6-16	
FU1-60	923C	Electronic Thermal Selection	ETH select	0	(No)	1 (Yes)	○	6-17
				1	(Yes)			
FU1-61 (11)	923D	Electronic Thermal Level for 1 Minute	ETH 1min	FU1-62 to 200 [%]	150 [%]	○	6-17	
FU1-62	923E	Electronic Thermal Level for Continuous	ETH Cont	50 to FU1-61 (Maximum 150%)	120 [%]	○	6-17	
FU1-63	923F	Characteristic Selection (Motor Type)	Motor type	0 (Self-cool) 1 (Forced-cool)	0 (Self-cool)	○	6-17	
FU1-64	9240	Overload Warning Level	OL level	30 to 110 [%]	110 [%]	○	6-18	
FU1-65	9241	Overload Warning Time	OL time	0 to 30 [sec]	10 [sec]	○	6-18	
FU1-66	9242	Overload Trip Selection	OLT select	0	(No)	0 (No)	○	6-18
				1	(Yes)			
FU1-67 (12)	9243	Overload Trip Level	OLT level	30 to 150 [%]	120[%]	○	6-18	
FU1-68	9244	Overload Trip Delay Time	OLT time	0 to 60 [sec]	60 [sec]	○	6-18	
FU1-69	9245	Input/Output Phase Loss Protection	Trip select	000 to 111 (Bit Set)	100	○	6-19	
FU1-70	9246	Stall Prevention Selection	Stall Mode.	No Yes	No	X	6-19	
FU1-71	9247	Stall Prevention Level	Stall level	30 to 200 [%]	120[%]	X	6-19	

Chapter 5 - Parameter List

CODE	Comm. Addr	Description	LCD Keypad Display	Setting Range	Factory Default	Adj. During Run	Page
FU1-72	9248	Accel/Decel Change Frequency	Acc/Dec ch F	0 to FU1-30	0 [Hz]	X	6-19
FU1-73	9249	Reference Frequency for Accel and Decel	Acc/Dec freq	0 (Max freq) 1 (Delta freq)	0 (Max freq)	X	6-20
FU1-74	924A	Accel/Decel Time Scale	Time scale	0 (0.01 sec) 1 (0.1 sec) 2 (1 sec)	1 (0.1 sec)	O	6-20
FU1-75	924B	Up Down Save Mode	UpDnSaveMode	0 (No) 1 (Yes)	0 (No)	X	6-20
FU1-76 (31)	924C	Up Down Save Freq	UpDnSaveFreq	startFreq to 120[Hz]	0.00Hz	O	6-20
FU1-80 (32)	924D	Voltage Suppression	Suppression	Yes / No	Yes	O	6-20

* The gray-highlighted codes are hidden parameters and will appear when the related functions are to be set.

(5) Only displayed when FU1-02, FU1-03 is set to [S-Curve].

(6) Only displayed when FU1-20 is set to [DC-start].

(7) Only displayed when FU1-23 is set to [DC-break].

(8) Only displayed when FU1-33 is set to [Yes].

(9) FU1-41~48 Only displayed when FU1-40 is set to [User V/F].

(10) Only displayed when FU1-51 is set to [Manual].

(11) Only displayed when FU1-60 is set to [Yes].

(12) Only displayed when FU1-66 is set to [Yes].

(13) It isn't proper measuring Input power because some error can be occurred by Kinds of Motor, Load, Output Freq etc.

(31) Only displayed when FU1-75 is set to [Yes].

(32) If you do not want to suppress output voltage, Set this parameter to [NO]

[FU2 GROUP]

CODE	Comm. Addr	Description	LCD Keypad Display	Setting Range	Factory Default	Adj. During Run	Page	
FU2-00	9300	Jump to desired code #	Jump code	1 to 95 (Use Only LCD Keypad)	40	O	6-21	
FU2-01	9301	Last trip 1	Last trip-1	By pressing [PROG] and [UP] or [DOWN] key, the frequency, current, and operational status at the time of fault can be seen.	0 (None)	*	6-21	
FU2-02	9302	Last trip 2	Last trip-2		0 (None)	*	6-21	
FU2-03	9303	Last trip 3	Last trip-3		0 (None)	*	6-21	
FU2-04	9304	Last trip 4	Last trip-4		0 (None)	*	6-21	
FU2-05	9305	Last trip 5	Last trip-5		0 (None)	*	6-21	
FU2-06	9306	Erase trips	Erase trips	0	(No)	0 (No)	O	6-21
				1	(Yes)			
FU2-07	9307	Dwell Frequency	Dwell time	0 to 10 [sec]	0 [sec]	X	6-21	
FU2-08 (12)	9308	Dwell Frequency	Dwell freq	FU1-32 to FU1-30	5 [Hz]	X	6-21	
FU2-10	930A	Frequency Jump Selection	Jump Freq	0	(No)	0 (No)	X	6-21
				1	(Yes)			
FU2-11 (13)	930B	Jump Frequency 1 Low	jump lo 1	0 to FU2-12	10 [Hz]	O	6-21	
FU2-12	930C	Jump Frequency 1 High	jump Hi 1	FU2-11 to FU1-30	15 [Hz]	O		
FU2-13	930D	Jump Frequency 2 Low	jump lo 2	0 to FU2-14	20 [Hz]	O		
FU2-14	930E	Jump Frequency 2 High	jump Hi 2	FU2-13 to FU1-30	25 [Hz]	O		
FU2-15	930F	Jump Frequency 3 Low	jump lo 3	0 to FU2-16	30 [Hz]	O		
FU2-16	9310	Jump Frequency 3 High	jump Hi 3	FU2-15 to FU1-30	35 [Hz]	O		
FU2-20	9314	Power ON Start Selection	Power-on run RST restart	0	(No)	0 (No)	O	6-22
				1	(Yes)			
FU2-21	9315	Restart after Fault Reset	RST restart	0	(No)	0 (No)	O	6-22
				1	(Yes)			
FU2-22	9316	Start After Interrupt Power Fault Selection	IPF Mode	0	(No)	0(No)	X	6-23
				1	(Yes)			
FU2-23	9317	Speed Search Type Selection	Search Type	estimated SS	estimated SS	O	6-23	
FU2-24	9318	Retry Mode Sel	Retry Mode	No/Yes	0 (NO)	O	6-24	
FU2-25	9319	Number of Auto Retry	Retry number	0 to 10	0	O	6-24	
FU2-26 (15)	931A	Delay Time Before Auto Retry	Retry delay	0 to 60 [sec]	1 [sec]	O	6-24	
FU2-27	931B	Speed Search Current Limit	Flying Perc	30 to 160	70%	X	6-23	

Chapter 5 - Parameter List

CODE	Comm. Addr	Description	LCD Keypad Display	Setting Range	Factory Default	Adj. During Run	Page	
FU2-40	9328	Motor Capacity selection Inverter (5.5 ~ 450 kW)	Motor select	0 (0.75kW) 1 (1.5kW) 2 (2.2kW) 3 (3.7kW) 4 (5.5kW) 5 (7.5kW) 6 (11.0kW) 7 (15.0kW) 8 (18.5kW) 9 (22.0kW) 10 (30.0kW) 11 (37.0kW) 12 (45.0kW) 13 (55.0kW) 14 (75.0kW) 15 (90.0kW) 16 (110.0kW) 17 (132.0 kW) 18 (160.0 kW) 18 (220.0 kW) 20 (280.0 kW) 21 (315.0 kW) 22 (375.0 kW) 23 (450.0 kW)	* Depending on the inverter capacity	X	6-25	
				* A motor rating same as inverter capacity is automatically set. If different, set the correct value.				
FU2-41	9329	Number of Motor Poles	Pole number	2 to 12	4	X	6-25	
FU2-42	932A	Motor Slip	Rate-Slip	0.00 to 10.00	Depending on the motor capacity	X	6-25	
FU2-43	932B	Rated Current of Motor(rms)	Rated-Curr	1.0 – 300.0 [A]		X		
FU2-44	932C	No Load Motor Current(rms)	Noload-Curr	1.0 – 300.0 [A]		X		
FU2-46	932E	Load Inertia	Inertia rate	0 to 40		10		X
FU2-47	932F	Gain for Motor Speed Display	RPM DisplayGn	1 to 1000 [%]		100 [%]		O
FU2-48 (Table 1)	9330	Carrier Frequency	Carrier freq	Refer to Table 1)	-	O	6-26	
FU2-49	9331	PWM Type Selection	PWMTechnique	0 (Normal)	0 (Normal)	X	6-26	
				1 (Low leakage)				
FU2-52 (16)	9334	Safety Stop Dec. Rate	Dec Rate	1.0 - 100.0 [sec]	100.0 [sec]	X	6-26	
FU2-53	9335	Safety Stop Output Dec. Rate	safety_perc	2 - 500	21	X	6-26	
FU2-60	933C	Control Mode Selection	Control Mode	0 (V/F)	0 (V/F)	X	6-27	
				1 (Slip compen)				
				2 (Sensorless)				
FU2-61	933D	Auto Tuning Selection	AutoTuneEnbl	0 (No)	0 (No)	X	6-28	
				1 (Static)				
FU2-62	933E	Stator Resistance of Motor	%Rs	0.01-20[%]	4[%]	X		
FU2-63	933F	Leakage Inductance of Motor	%Lsigma	0.01-100[%]	12[%]	X	6-28	
FU2-64 (17)	9340	Pre-excitation Time	PreEx time	0 to 60 [sec]	1 [sec]	X	6-28	
FU2-67	9343	Manual/Auto Torque Boost Selection	Torque boost	0 (Manual)	0 (Manual)	X	6-29	
				1 (Auto)				
FU2-68 (Table 2)	9344	Torque Boost in Forward Direction	Fwd boost	0 to 15 [%]	1.0 or 2.0[%]	X		

CODE	Comm. Addr	Description	LCD Keypad Display	Setting Range	Factory Default	Adj. During Run	Page	
FU2-69 (Table 2)	9345	Torque Boost in Reverse Direction	Rev boost	0 to 15 [%]	1.0 or 2.0[%]	X		
FU2-80	9350	Power On display	PowerOn Disp	0 to 12	0	O	6-30	
FU2-81	9351	User Select	User Disp	Voltage Watt	Voltage	O	6-30	
FU2-82	9352	Software Version	iP5A S/W Ver	Ver X.X	Ver X.X	*	6-30	
FU2-83	9353	Last Trip Time	LastTripTime	X:XX:XX:XX:XX:X	*	X	6-30	
FU2-84	9354	Power On Time	On-time	X:XX:XX:XX:XX:X	*	X		
FU2-85	9355	Run-time	Run-time	X:XX:XX:XX:XX:X	*	X		
FU2-87	9357	Power Set	Power Set	0.1~400 %	100	O	6-31	
FU2-90	935A	Parameter Display	Para. disp	0	Default	0 (Default)	O	6-31
				1	(All Para)			
				2	(Diff Para)			
FU2-91	935B	Read Parameter	Para. Read	0	(No)	0 (No)	X	6-31
				1	(Yes)			
FU2-92	935C	Write Parameter	Para. Write	0	(No)	0 (No)	X	6-31
				1	(Yes)			
FU2-93	935D	Initialize Parameters	Para. Init	0 (No) 1 (All Groups) 2 (DRV) 3 (FU1) 4 FU2) 5 (I/O) 6 (EXT) 7 (COM) 8(APP)	0 (No)	X	6-31	
FU2-94	935E	Parameter Write Protection	Param. Lock	0 to 9999	0	O	6-32	
FU2-95	935F	Parameter Save	Param. save	0	(No)	0 (No)	X	6-32
				1	(Yes)			

* The gray-highlighted codes are hidden parameters and will appear when the related functions are to be set.
(12) FU2-8 is displayed when FU2-07 is set to [1~10 sec].
(13) FU2-11 is displayed when FU2-10 is set to [Yes].
(15) FU2-26 is displayed when FU2-25 [Retry number] is set to [1~10].
(16) FU2-52 is displayed when FU1-28 is set to [Yes].
(17) FU2-64 is displayed when FU2-60 is set to [Sensorless].

Table 1) Switching frequency and factory default value for each inverter capacity and voltage

Inverter Capacity	(200V/400V)		(600V)	
	Setting Range	Factory Default	Setting Range	Factory Default
0.75 ~ 3.7 kW	0.7 ~ 15 [kHz]	5.0 [kHz]	NA	NA 3.0[kHz]
5.5 ~ 11kW			0.7 ~ 10.0 [kHz]	
15~22kW			0.7 ~ 8.0 [kHz]	
30 kW	0.7 ~ 10 [kHz]	4.0 [kHz]		
37 ~ 75 kW	0.7 ~ 4 [kHz]	3.0 [kHz]	0.7 ~ 4.0 [kHz]	
110 ~ 280 kW	0.7 ~ 3 [kHz]	2.0 [kHz]	0.7 ~ 3.0 [kHz]	
90kW / 315 ~ 450 kW	0.7 ~ 2 [kHz]		0.7 ~ 2.0 [kHz]	NA

Chapter 5 - Parameter List

Table 2) Torque boost factory default value for each inverter capacity and voltage				
Inverter Capacity	(200V/400V)		(600V)	
	Setting Range	Factory Default	Setting Range	Factory Default
0.75 ~ 3.7 kW	0 to 15[%]	2.0 [%]	0 to 15[%]	NA
5.5 ~ 11 kW				2[%]
15 ~ 90 kW		1[%]		
110 kW		1.0 [%]		
132 ~ 450 kW		1.0 [%]		NA

[I/O GROUP]

CODE	Comm. Addr	Description	LCD Keypad Display	Setting Range	Factory Default	Adj. During Run	Page
I/O-00	9400	Jump to desired code	Jump code	1 to 98	1	O	6-33
I/O-01 (17)	9401	Filtering Time Constant for V1 Signal Input	V1 Filter	0 to 9999 [msec]	10 [msec]	O	6-33
I/O-02	9402	V1 Input Minimum Voltage	V1 volt x1	0 to 12[V]	0.00 [V]	O	
I/O-03	9403	Frequency Corresponding to V1 Input Minimum Voltage	V1 Freq y1	0 to FU1-30 [Hz] 0 to 100.00 [**](18)	0.00 [Hz]	O	
I/O-04	9404	V1 Input Minimum Voltage	V1 volt x2	0 to 12[V]	10 [V]	O	
I/O-05	9405	V1 Input Maximum Voltage	V1 Freq y2	0 to FU1-30 [Hz] 0 to 100.00 [**] (18)	60.00 [Hz]	O	
I/O-06	9406	Filtering Time Constant for I Signal Input	I Filter	0 to 9999 [msec]	70 [msec]	O	
I/O-07	9407	I Input Minimum Current	I curr x1	0 to 20 [mA]	4 [mA]	O	
I/O-08	9408	Frequency Corresponding to I Input Minimum Current	I Freq y1	0 to FU1-30 [Hz] 0 to 100.00 [**](18)	0.00 [Hz]	O	
I/O-09	9409	Filtering Time Constant for I Signal Input	I curr x2	0 to 20 [mA]	20 [mA]	O	
I/O-10	940A	Frequency Corresponding to I Input Maximum Current	I Freq y2	0 to FU1-30 [Hz] 0 to 100.00 [**](18)	60.00 [Hz]	O	
I/O-11	940B	Pulse input method	P Pulse set	0 (A+B) 1 (A)	1 (A)	O	6-34
I/O-12	940C	Pulse input filter	P filter	0 to 9999 [msec]	10 [msec]	O	
I/O-13	940D	Pulse input Minimum frequency	P pulse x1	0 to 10 [kHz]	0 [kHz]	O	
I/O-14	940E	Frequency corresponding to I/O-13 Pulse input Minimum frequency	P freq y1	0 to FU1-30 [Hz] 0 to 100.00 [**](18)	0 [Hz]	O	
I/O-15	940F	Pulse input Minimum frequency	P pulse x2	0 to 100 [kHz]	10 [kHz]	O	
I/O-16	9410	Frequency corresponding to I/O-15 Pulse input Maximum frequency	P freq y2	0 to FU1-30 [Hz] 0 to 100.00 [**](18)	60.00 [Hz]	O	
I/O-17	9411	Criteria for Analog Input Signal Loss	Wire broken	0 (None) 1 (half of x1) 2 (below x1)	0 (None)	O	6-35
I/O-18	9412	Operating selection at Loss of Freq. Reference	Lost command	0 (None) 1 (FreeRun) 2 (Stop) 3 (Protection)	0 (None)	O	
I/O-19	9413	Waiting Time after Loss of Freq. Reference	Time out	0.1 to 120 [sec]	1.0 [sec]	O	

Chapter 5 - Parameter List

CODE	Comm. Addr	Description	LCD Keypad Display	Setting Range	Factory Default	Adj. During Run	Page
I/O-20	9414	Programmable Digital Input Terminal 'M1' Define	M1 Define	0 (Speed-L) 1 (Speed-M) 2 (Speed-H) 3 (XCEL-L) 4 (XCEL-M) 5 (XCEL-H) 6 (Dc-brake) 7 (2nd Func) 8 (Exchange) 9 (- Reserved -) 10 (Up) 11 (Down) 12 (3-Wire) 13 (Ext Trip) 14 (Pre-Heat) 15 (iTerm Clear) 16 (Open-loop) 17 (LOC/REM) 18 (Analog hold) 19 (XCEL stop) 20 (P Gain2) 21 -Reserved- 22 (Interlock1) 23 (Interlock2) 24 (Interlock3) 25 (Interlock4) 26 (Speed_X) 27 (RST) 28 (BX) 29 (JOG) 30 (FX) 31 (RX) 32 (ANA_CHG) 33 (Ext PID Run) 34 (Up/Dn Clr)	0 (Speed-L)	X	6-36
I/O-21	9415	Programmable Digital Input Terminal 'M2' Define	M2 define	Same as I/O-20	1 (Speed-M)	X	
I/O-22	9416	Programmable Digital Input Terminal 'M3' Define	M3 define	Same as I/O-20	2 (Speed-H)	X	
I/O-23	9417	Programmable Digital Input Terminal 'M4' Define	M4 define	Same as I/O-20	27 (RST)	X	
I/O-24	9418	Programmable Digital Input Terminal 'M5' Define	M5 define	Same as I/O-20	28 (BX)	X	
I/O-25	9419	Programmable Digital Input Terminal 'M6' Define	M6 define	Same as I/O-20	29 (JOG)	X	

CODE	Comm. Addr	Description	LCD Keypad Display	Setting Range	Factory Default	Adj. During Run	Page
I/O-26	941A	Programmable Digital Input Terminal 'M7' Define	M7 define	Same as I/O-20	30 (FX)	X	6-36
I/O-27	941B	Programmable Digital Input Terminal 'M8' Define	M8 define	Same as I/O-20	31 (RX)	X	
I/O-28	941C	Terminal Input Status	In status	00000000000/ 11111111111	00000000000	*	
I/O-29	941D	Filtering Time Constant for Programmable Digital Input Terminals	Ti Filt Num	2 to 1000 [msec]	15	O	
I/O-30 (19)	941E	Jog Frequency Setting	Jog Speed	0 to FU1-30	10 [Hz]	O	6-39
I/O-31	941F	Step Frequency 4	PresetSpd- 4		40 [Hz]	O	
I/O-32	9420	Step Frequency 5	PresetSpd -5		50 [Hz]	O	
I/O-33	9421	Step Frequency 6	PresetSpd -6		40 [Hz]	O	
I/O-34	9422	Step Frequency 7	PresetSpd -7		30 [Hz]	O	
I/O-35	9423	Step Frequency 8	PresetSpd -8		20 [Hz]	O	
I/O-36	9424	Step Frequency 9	PresetSpd -9		10 [Hz]	O	
I/O-37	9425	Step Frequency 10	PresetSpd -10		20 [Hz]	O	
I/O-38	9426	Step Frequency 11	PresetSpd -11		30 [Hz]	O	
I/O-39	9427	Step Frequency 12	PresetSpd -12		40 [Hz]	O	
I/O-40	9428	Step Frequency 13	PresetSpd -13		50 [Hz]	O	
I/O-41	9429	Step Frequency 14	PresetSpd -14		40 [Hz]	O	
I/O-42	942A	Step Frequency 15	PresetSpd -15		30 [Hz]	O	
I/O-50	9432	Acceleration Time 1 (for Step speed)	Acc time-1	0 to 6000 [sec]	20 [sec]	O	6-40
I/O-51	9433	Deceleration Time 1 (for Step speed)	Dec time-1	0 to 6000 [sec]	20 [sec]	O	
I/O-52 (20)	9434	Acceleration Time 1 (for Step speed)	Acc time-2	0 to 6000 [sec]	30 [sec]	O	
I/O-53	9435	Deceleration Time 2	Dec time-2	0 to 6000 [sec]	30 [sec]	O	
I/O-54	9436	Acceleration Time 3	Acc time-3	0 to 6000 [sec]	40 [sec]	O	
I/O-55	9437	Deceleration Time 3	Dec time-3	0 to 6000 [sec]	40 [sec]	O	
I/O-56	9438	Acceleration Time 4	Acc time-4	0 to 6000 [sec]	50 [sec]	O	
I/O-57	9439	Deceleration Time 4	Dec time-4	0 to 6000 [sec]	50 [sec]	O	
I/O-58	943A	Acceleration Time 5	Acc time-5	0 to 6000 [sec]	40 [sec]	O	
I/O-59	943B	Deceleration Time 5	Dec time-5	0 to 6000 [sec]	40 [sec]	O	
I/O-60	943C	Acceleration Time 6	Acc time-6	0 to 6000 [sec]	30 [sec]	O	
I/O-61	943D	Deceleration Time 6	Dec time-6	0 to 6000 [sec]	30 [sec]	O	
I/O-62	943E	Acceleration Time 7	Acc time-7	0 to 6000 [sec]	20 [sec]	O	
I/O-63	943F	Deceleration Time 7	Dec time-7	0 to 6000 [sec]	20 [sec]	O	
I/O-70	9446	S0 output selection	S0 mode	0 (Frequency) 1 (Current) 2 (Voltage) 3 (DC link Vtg) 4 (Ext PID Out)	0 (Frequency)	O	6-41

Chapter 5 - Parameter List

CODE	Comm. Addr	Description	LCD Keypad Display	Setting Range	Factory Default	Adj. During Run	Page
I/O-71	9447	S0 output adjustment	S0 adjust	10 to 200 [%]	100 [%]	O	6-41
I/O-72	9448	S1 output selection	S1 mode	Same as I/O-70	2 (Voltage)	O	
I/O-73	9449	S1 output adjustment	S1 adjust	10 to 200 [%]	100 [%]	O	
I/O-74 (21)	944A	Frequency Detection Level	FDT freq	0 to FU1-30 [Hz]	30.00 [Hz]	O	6-42
I/O-75	944B	Frequency Detection Bandwidth	FDT band	0 to FU1-30 [Hz]	10.00 [Hz]	O	6-42
I/O-76	944C	Programmable Digital Output Terminal Define (Aux terminal)	RlyOut 1 Def	0 (NONE) 1 (FDT-1) 2 (FDT-2) 3 (FDT-3) 4 (FDT-4) 5 (FDT-5) 6 (OL) 7 (IOL) 8 (Stall) 9 (OV) 10 (LV) 11 (OH) 12 (Lost Command) 13 (Run) 14 (Stop) 15 (Steady) 16 (INV line) 17 (COMM line) 18 (SpeedSearch) 19 (Ready) 20 (MMC) 21 (CriticalTrip)	0 (NONE)	O	6-42
I/O-77	944D	Programmable Digital Output Terminal Define	Aux mode2	Same as I/O-76	0 (NONE)	O	
I/O-78	944E	Programmable Digital Output Terminal Define	Aux mode3	Same as I/O-76	0 (NONE)	O	
I/O-79	944F	Programmable Digital Output Terminal Define	Aux mode4	Same as I/O-76	0 (NONE)	O	
I/O-80	9450	Fault Output Relay Setting (3A, 3B, 3C)	Relay mode	000 to 111 [bit]	010 [bit]	O	6-46
I/O-81	9451	Terminal Output Status	Out status	00000000/11111111	00000000	*	6-46
I/O-82	9452	Waiting time after Fault Output Relay On	Relay On	0 to 9999	0	X	6-47
I/O-83	9453	Waiting time after Fault Output Relay Off	Relay Off	0 to 9999	0	X	

CODE	Comm. Addr	Description	LCD Keypad Display	Setting Range	Factory Default	Adj. During Run	Page
I/O-84	9454	Fan Con Sel (37 ~ 90kW)	Fan Con. Sel	0 (Power On Fan)	0 (Power On Fan)	X	6-47
				1 (Run Fan)			
				2 (Temper-Fan)			
I/O-85	9455	Fan Temp (37 ~ 90kW)	Fan Temp	0 to 70 [°C]	70 [°C]	O	6-47
I/O-86	9456	Input User Unit Selection	Unit Sel	0 (Percent) 1 (Bar) 2 (mBar) 3 (kPa) 4 (PSI) 5 (Pa)	0 (Percent)	X	6-47
I/O-87	9457	Unit Maximum Selection	Unit Max Val	1.0 to 999.9[%]	100[%]	X	
I/O-90	945A	Inverter Number	Inv No.	1 to 250	1	O	6-48
I/O-91 (22)	945B	Baud Rate Selection	Baud rate	0 (1200 bps)	3 (9600 bps)	O	6-37
				1 (2400 bps)			
				2 (4800 bps)			
				3 (9600 bps)			
				4 (19200 bps)			
				5 (38400 bps)			
I/O-92	945C	Operating method at loss of freq. reference	COM Lost Cmd	0 (None)	0 (None)	O	6-48
				1 (FreeRun)			
				2 (Stop)			
I/O-93	945D	Waiting time after loss of freq. reference	COM Time Out	0.1 to 120 [sec]	1.0 [sec]	O	
I/O-94	945E	Communication Response Delay time	Delay Time	2 to 1000 [msec]	5 [msec]	O	6-48
I/O-95	945F	A or B contact	In No/Nc Set	0000000000 /1111111111	0000000000	X	6-49
I/O-96	9460	Input time	In CheckTime	1 to 1000	1 [msec]	X	6-49
I/O-97	9461	Overheat trip selection	OH Trip Sel	000 to 111 [bit]	010 [bit]	X	6-49
I/O-98	9462	Motor overheat trip temperature	MotTripTemp	0 to 255 [°C]	110 [°C]	X	
I/O-99 (17)	9463	Lost Cmd Pre freq Setting	Lost Preset	0 to 60 [Hz]	0	O	6-20

The gray-highlighted codes are hidden parameters and will appear when the related functions are to be set.

(17) When DRV-04 is set to either V1, V1S, I or V1+I or Pulse, only selected item codes are displayed in I/O-1~I/O-19.

(18) I/O-3,5,8,10,14,16 is displayed 0~100.00 [**] when App-02 is set to [proc PI mode] or APP-80 is set to [Ext PI mode] and APP-06 PID Feedback Signal Selection is set to one of I, VI, Pulse, after then, one of I/O-86 ~I/O-88 is set to percentage, Bar, mBar, kPa, Pa except for Speed. Unit will be changed to selected unit.

Only user unit displayed when APP-02 or APP-80 is set to [Yes], after APP-06 is set to one of I, V, Pulse, after then one of I/O-86 ~I/O-88 is set to either speed, percentage, Bar, mBar, kPa, Pa..

(19) I/O-30 displayed only when one of I/O-20~I/O-27 is set to JOG. DRV-5~DRV-7 and I/O-35 ~ I/O-42 displayed only when I/O-20~I/O-27 is set to Speed_L, Speed_M, Speed_H, Speed_X in combination with step frequency 1~16.

(20) I/O-52~I/O-63 displayed only when one of I/O-20~I/O-27 is set to either XCEL_L, XCEL_M, XCEL_H in combination with 1~7th Accel/Decel time.

(21) I/O-74 ~ I/O-75 displayed only when one of I/O-76 ~ I/O-79 is set to either FDT-1~FDT5

(22) 38400 bps can be set only when the external communication option card is installed.

Chapter 5 - Parameter List


[APP GROUP]

CODE	Comm. Addr	Description	LCD Keypad Display	Setting Range	Factory Default	Adj. During Run	Page
APP-00	9700	Jump to Desired Code #	Jump code	1 to 80	1	O	6-51
APP-01	9701	Application Mode Selection	App mode	0 (None) 1 (MMC)	0 (None)	X	6-51
APP-02	9702	PID Operation Selection	Proc PI mode	0 (No) 1 (Yes)	0 (No)	X	6-51
APP-03 (25)	9703	PID F Gain Selection	PID FFwd-Gn	0 to 999.9[%]	0.0 [%]	O	6-57
APP-04 (26)	9704	PID Auxiliary Reference Mode Selection	Aux Ref Enbl	0 (No) 1 (Yes)	0 (No)	X	6-57
APP-05 (27)	9705	PID Auxiliary Reference Signal Selection	Aux Ref Sel	0 (Keypad-1) 1 (Keypad-2) 2 (V1) 3 (V1S) 4 (I) 5 (V1+I) 6 (Pulse) 7 (Int. 485) 8 (Ext. PID)	2 (V1)	X	6-57
APP-06	9706	PID Feedback Signal Selection	PID Fbk Src	0 (I) 1 (V1) 2 (Pulse)	0 (I)	X	6-57
APP-07	9707	Meter I Maximum Value	Meter I Max	0 to 20.00 mA	20.00 mA	O	6-57
APP-08	9708	Meter V Maximum Value	Meter V Max	0 to 12.00 V	10.00V	O	6-57
APP-09	9709	Meter P Maximum Value	Meter P Max	0 to 100.0kHz	100.0kHz	O	6-57
APP-11	970B	P Gain for PID Control	PID P Gain	0 to 999.9 [%]	1.0 [%]	O	6-58
APP-12	970C	I Time for PID Control	PID I Time	0 to 32.0 [sec]	10.0 [sec]	O	6-58
APP-13	970D	D Time for PID Control	PID D Time	0 to 100 [msec]	0.0 [msec]	O	6-58
APP-14	970E	High Limit Frequency for PID Control	PID Hi Limit	0.00 to FN1-30	60.00[Hz]	O	6-58
APP-15	970F	Low Limit Frequency for PID Control	PID LowLimit	FN1-32 to APP-10	0.5 [Hz]	O	
APP-16	9710	PID Output Gain	PID OutScale	0.0 to 999.9 [%]	100.0 [%]	X	
APP-17	9711	PID P2 Gain	PID P2 Gain	0.0 to 999.9 [%]	100.0 [%]	X	6-58
APP-18	9712	P Gain Scale	P Gain Scale	0.0 to 100.0 [%]	100.0 [%]	X	
APP-19	9713	PID Output Inverse	PID OutInvert	0 (No) 1 (Yes)	0 (No)	X	6-58
APP-20	9714	PID U curve feedback select	PID U Fbk	0 (No) 1 (Yes)	0 (No)	X	6-58
APP-23	9717	PrePID Reference Frequency	PrePID Freq	0 to FU1-30	0 [Hz]	O	6-59
APP-24	9718	PrePID Exit Level	PrePID Exit	0 to 100.0%	0 [%]	O	
APP-25	9719	PrePID Stop delay	PrePID Dly	0 to 9999	600 [sec]	O	
APP-26	971A	Pipe Broken	Pipe Broken	0 (No) 1 (Yes)	0 (No)	X	6-59
APP-27	971B	Sleep Delay Time	Sleep Delay	0.0 to 9999 [sec]	60.0 [sec]	O	
APP-28	971C	Sleep Frequency	Sleep Freq	0 to FU1-30 [Hz]	0.00 [Hz]	O	
APP-29	971D	Wake-Up Level	WakeUp level	0.0 to 100.0 [%]	2.0[%]	O	

CODE	Comm. Addr	Description	LCD Keypad Display	Setting Range	Factory Default	Adj. During Run	Page
APP-30 (28)	971E	2nd Acceleration Time	2nd Acc Time	0 to 6000 [sec]	5 [sec]	O	6-60
APP-31	971F	2nd Deceleration Time	2nd Dec Time	0 to 6000 [sec]	10 [sec]	O	6-60
APP-32	9720	2nd Base Frequency	2nd BaseFreq	30 to FN1-30 [Hz]	60 [Hz]	X	6-60
APP-33	9721	2nd V/F Pattern	2nd V/F	0(Linear) 1(Square) 2(User V/F)	0(Linear)	X	6-60
APP-34	9722	2nd Forward Torque Boost	2nd F-Boost	0.0 to 15.0 [%]	2.0 [%]	X	6-60
APP-35	9723	2nd Reverse Torque Boost	2nd R-Boost	0.0 to 15.0 [%]	2.0 [%]	X	6-60
APP-36	9724	2nd Stall Prevention Level	2nd Stall	30 to 150 [%]	100 [%]	X	6-60
APP-37	9725	2nd Electronic Thermal Level for 1 minute	2nd ETH 1min	FU2-28 to 200 [%]	130[%]	O	6-60
APP-38	9726	2nd Electronic Thermal Level for continuous	2nd ETH Cont	50 to FU2-27 (Max 150%)	120[%]	O	6-60
APP-39	9727	2nd Rated Motor Current	2nd R-Curr	1 to 200 [A]	3.6[A]	X	6-60
APP-40 (29)	9728	Number of Auxiliary Motor Run Display	Aux Mot Run	*	*	*	6-60
APP-41	9729	Aux. Motor Start Selection	Starting Aux	1 to 4	1	O	6-62
APP-42	972A	Operation Time Display on Auto Change	Auto Op Time	*	*	*	6-63
APP-43	972B	The Number of Aux Motor	Nbr Aux's	0 to 7	4	X	6-63
APP-44	972C	Aux.Motor Stop sequence	F-in L-Out	0 (No) 1 (Yes)	1 (Yes)	X	6-63
APP-45	972D	How to stop Aux. Motor	ALL Stop	0 (No) 1 (Yes)	1 (Yes)	X	6-60
APP-47	972F	Start Frequency of Aux. Motor 1	Start freq 1	0 to FU1-30	49.99 [Hz]	O	6-63
APP-48	9730	Start Frequency of Aux. Motor 2	Start freq 2	0 to FU1-30	49.99 [Hz]	O	
APP-49	9731	Start Frequency of Aux. Motor 3	Start freq 3	0 to FU1-30	49.99 [Hz]	O	
APP-50	9732	Start Frequency of Aux. Motor 4	Start freq 4	0 to FU1-30	49.99 [Hz]	O	
APP-51	9733	Stop Frequency of Aux. Motor 1	Stop freq 1	0 to FU1-30	20.00 [Hz]	O	6-63
APP-52	9734	Stop Frequency of Aux. Motor 2	Stop freq 2	0 to FU1-30	20.00 [Hz]	O	
APP-53	9735	Stop Frequency of Aux. Motor 3	Stop freq 3	0 to FU1-30	20.00 [Hz]	O	
APP-54	9736	Stop Frequency of Aux. Motor 4	Stop freq 4	0 to FU1-30	20.00 [Hz]	O	
APP-58	973A	Delay Time before Operating Aux Motor	Aux start DT	0.0 to 999.9 [sec]	5.0 [sec]	O	6-63
APP-59	973B	Delay Time before Stopping Aux Motor	Aux stop DT	0.0 to 999.9 [sec]	5.0 [sec]	O	6-63

Chapter 5 - Parameter List

CODE	Comm. Addr	Description	LCD Keypad Display	Setting Range	Factory Default	Adj. During Run	Page
APP-60	973C	Accel time when the number of pump decreases	Pid AccTime	0 to 600.0 [sec]	2.0 [sec]	O	6-63
APP-61	973D	Decel time when the number of pump increases	Pid DecTime	0 to 600.0 [sec]	2.0 [sec]	O	6-64
APP-62	973E	PID Bypass Selection	Regul Bypass	0 (No) 1 (Yes)	0 (No)	X	6-64
APP-66	9742	Auto Change Mode Selection	AutoCh_Mode	0(EXCH_NONE), 1 (AUX_EXCH), 2 (MAIN_EXCH)	0(EXCH_NONE)	X	6-65
APP-67	9743	Auto Change Time	AutoEx-intv	00:00 to 99:00	72:00	O	6-65
APP-68	9744	Auto Change Freq	AutoEx-Freq	FN1-32 to FN1-30 [Hz]	20.0 [Hz]	O	6-65
APP-69	9745	Inter-Lock Selection	Inter-lock	0 (No)	0 (No)	O	6-66
APP-71	9747	Pressure difference for Aux motor Start	Aux Stt Diff	0 to 100%	2[%]	O	6-68
APP-72	9748	Pressure difference for Aux motor Stop	Aux Stp Diff	0 to 100%	2[%]	O	6-68
APP-80	9750	Ext PID Operation Selection	Ext PI Mode	0 (No) 1 (Yes)	0 (No)	X	6-68
APP-81 (30)	9751	Ext PID Reference Signal Selection	ExtPI RefSel	0(I) 1 (V1) 2 (Pulse) 3(Keypad)	3(Keypad)	X	6-68
APP-82	9752	Ext PID Reference Level	Ext PI Ref %	0 to 100.00 [%]	50.00 [%]	X	6-68
APP-83	9753	Ext PID Feedback Signal Selection	ExtPI FbkSel	0 (I) 1 (V1) 2 (Pulse)	0 (I)	O	6-68
APP-85	9755	P Gain for ExtPID	ExtPID Pgain	0 to 999.9 [%]	1.0 [%]	O	6-68
APP-86	9756	I Time for ExtPID	ExtPID Itime	0 to 32.0 [sec]	10.0 [sec]	O	6-68
APP-87	9757	D Time for ExtPID	ExtPID Dtime	0 to 2000 [msec]	0 [msec]	O	6-68
APP-88	9758	High Limit Frequency for ExtPID Control	ExtPID Lmt-H	0 to 100.00 [%]	100.00 [%]	O	6-68
APP-89	9759	Low Limit Frequency for ExtPID Control	ExtPID Lmt-L	0 to 30.00 [%]	0 [%]	X	6-68
APP-90	975A	ExtPID Output Scale	ExtPID Scale	0 to 999.9	100.0 [%]	X	6-68
APP-91	975B	ExtPID P2 Gain	ExtPI P2Gain	0 to 999.9	100.0 [%]	X	6-68
APP-92	975C	ExtPID P Gain Scale	ExtPI PScale	0 to 100.0	100.0 [%]	X	6-68
APP-93	975D	ExtPID F Gain	ExtPID F-gain	0 to 999.9 [%]	0.0 [%]	O	6-68
APP-95	975F	ExtPID Output Inverse	ExtPI OutInv	0 (No) 1 (Yes)	0 (No)	X	6-68
APP-97	9761	ExtPID Loop Time	ExtPI LoopTm	50 to 200 [msec]	100 [msec]	O	6-68

CODE	Comm. Addr	Description	LCD Keypad Display	Setting Range	Factory Default	Adj. During Run	Page
*  The gray highlighted codes are hidden parameters and will appear when the related functions are to be set.							
(25) Only APP-03 ~ APP-04 displayed when APP-02 is set to [Yes]. Only APP-06 ~ APP-17 and APP-63 ~ APP-65 displayed when APP-2 is set to [Yes] Only APP-05 displayed when APP-04 is set to [Yes]							
(26) If APP-04 Aux Ref Mode is no set, DRV-04 setting will be reference of process PID. And APP -05 setting will be ignored							
(27) If APP-04 is set, APP-05 will appear. And APP -05 setting value will be reference of process PID, DRV-04 setting will be ignored.							
(28) Only APP-30 ~ APP-39 displayed only when one of I/O-20 ~ I/O-27 is set to either “2nd Func”.							
(29) Only APP-40 ~ APP-71 displayed when APP-01 is set to [MMC].							
(30) Only APP-81 ~ APP-97 displayed when APP-80 Ext PI mode is set to [Yes].							

[EXT GROUP]

CODE	Comm. Addr	Description	LCD Keypad Display	Setting Range	Factory Default	Adj. During Run	Page
EXT-00	9500	Jump Code	Jump code	1 to 45	1	O	Refer to the corresponding option manual
EXT-01	9501	Type of SUB Board	Sub B/D	Sub-E	*	*	
EXT-40	9528	Current Output Terminal 1(CO1) Selection	AM1 mode	Frequency Current Voltage DC link Vtg Ext PID Out	Frequency	O	
EXT-41	9529	Adjust Gain of Current Output Terminal 1(CO1)	AM1 adjust	10 – 200 [%]	100 [%]	O	
EXT-42	952A	Adjust Offset of Current Output Terminal 1(CO1)	AM1 Offset	0 – 100 [%]	0 [%]	O	
EXT-43	952B	Current Output Terminal 2(CO2) Selection	AM2 mode	Frequency Current Voltage DC link Vtg Ext PID Out	DC link Vtg	O	
EXT-44	952C	Adjust Gain of Current Output Terminal 2(CO2)	AM2 adjust	10 – 200 [%]	100 [%]	O	
EXT-45	952D	Adjust Offset of Current Output Terminal 2(CO2)	AM2 Offset	0 – 100 [%]	0 [%]	O	
* Only the above EXT group displayed when the corresponding option board is installed.							
* Refer to the SUB board option manual for details.							

Chapter 5 - Parameter List

[COM GROUP]

CODE	Comm. Addr	Description	LCD Keypad Display	Setting Range	Factory Default	Adj. During Run	Page
COM-00	9600	Jump Code	Jump code	1 to 60	1	O	Refer to the corresponding option manual
COM-01	9601	Type of SUB Board	Opt B/D	RS485 DeviceNet Profibus BACnet LonWork	*	*	
COM-02	9602	Option Mode	Opt mode	None Command Freq Cmd + Freq	None	X	
COM-03	9603	Option Version	Opt Version	Ver X.X	Ver X.X	*	
COM-13	960D	Device Net Input Instance	In Instance	70 71 110 111	70	X	
COM-17	9611	PLC Station ID	Station ID	0 to 63	1	O	
COM-20	9614	Profi MAC ID	Profi MAC ID	1 to 127	1	O	
COM-30	961E	Output Num	Output Num	0 to 8	3	O	
COM-31	961F	Output 1	Output 1	0000 – FFFF (HEX)	000A(HEX)	O	
COM-32	9620	Output 2	Output 2	0000 – FFFF (HEX)	000E(HEX)	O	
COM-33	9621	Output 3	Output 3	0000 – FFFF (HEX)	000F(HEX)	O	
COM-34	9622	Output 4	Output 4	0000 – FFFF (HEX)	0000(HEX)	O	
COM-35	9623	Output 5	Output 5	0000 – FFFF (HEX)	0000(HEX)	O	
COM-36	9624	Output 6	Output 6	0000 – FFFF (HEX)	0000(HEX)	O	
COM-37	9625	Output 7	Output 7	0000 – FFFF (HEX)	0000(HEX)	O	
COM-38	9626	Output 8	Output 8	0000 – FFFF (HEX)	0000(HEX)	O	
COM-40	9628	Input Num	Input Num	0 - 8	2	O	
COM-41	9629	Input 1	Input 1	0000 – FFFF (HEX)	0005(HEX)	O	
COM-42	962A	Input 2	Input 2	0000 – FFFF (HEX)	0006(HEX)	O	
COM-43	962B	Input 3	Input 3	0000 – FFFF (HEX)	0000(HEX)	O	
COM-44	962C	Input 4	Input 4	0000 – FFFF (HEX)	0000(HEX)	O	
COM-45	962D	Input 5	Input 5	0000 – FFFF (HEX)	0000(HEX)	O	
COM-46	962E	Input 6	Input 6	0000 – FFFF (HEX)	0000(HEX)	O	
COM-47	962F	Input 7	Input 7	0000 – FFFF (HEX)	0000(HEX)	O	
COM-48	9630	Input 8	Input 8	0000 – FFFF (HEX)	0000(HEX)	O	
COM-60	963C	Parity/Stop	Parity/Stop	8None/1Stop 8None/2Stop 8Even/1Stop 8Odd/1Stop	8None/1Stop	O	
COM-61	963D	Opt Para-1	Opt Para-1	0 to FFFF	0	O	
COM-62	963E	Opt Para-2	Opt Para-2	0 to FFFF	0	O	
COM-63	963F	Opt Para-3	Opt Para-3	0 to FFFF	0	O	
COM-64	9640	Opt Para-4	Opt Para-4	0 to FFFF	0	O	
COM-65	9641	Opt Para-5	Opt Para-5	0 to FFFF	0	O	
COM-66	9742	Opt Para-6	Opt Para-6	0 to FFFF	0	O	
COM-67	9743	Comm UpDate	Comm UpDate	0 (No) 1 (Yes)	0 (No)	X	

* Only the above COM group displayed when the corresponding option board is installed.

* COM-61~66 parameter is used to LonWorks and BACnet communication.

CHAPTER 6 - PARAMETER DESCRIPTION

6.1 Drive group [DRV]

DRV-00: Command Frequency/ Output Current		
DRV▶ Cmd. Freq 00 0.00 Hz	F	0.00
Factory Default: 0.00 Hz		0.00

1) Digital frequency setting

- When DRV-04 [Frequency Mode] is set to 0 (Keypad-1) or 1 (Keypad-2), command freq is settable less than FU1-30 [Maximum Frequency].

2) Monitoring function setting

- Command frequency displayed during stop.
- Output current/frequency displayed during run.
Analog/digital frequency command source setting:
DRV-04 [Frequency Mode]

When DRV-04 [Frequency Mode] is set to V1, V1S, I, V1+I or Pulse, frequency command is set via I/O-01~16 [Analog Frequency command]. Refer to I/O-01~16 for detail description.

When setting APP-02 [PID operation selection] and/or APP-80 [Ext. PID operation select] to “Yes”, I/O-86~88 parameter settings become available. Changing I/O-86~88 value will affect all of the unit display for reference values such as DRV-00 and I/O-01~16. See the related parameter description on the manual for more.

When APP-02 [PID operation selection] is set to “Yes” with APP-04 [PID Aux speed selection] to “No,” the selection made among V1, V1S, I, V1+I, Pulse in DRV-04 [Freq mode] becomes PID reference input value and PID target output value becomes inverter reference frequency. See the PID description on the manual for more. Set APP-80 [Ext. PID operation selection] to “Yes” and control terminal “I” to “4~20mA”, Ext. PID feedback value. Set one of the I/O-20~27 to [Ext PID Run]. When the selected terminal for [Ext PID Run] is turned ON, Ext. PID operation begins and Ext. PID output value becomes inverter command frequency. See APP-80~97 for details.

When DRV-16 [Speed Unit Selection] is set to 1 (Rpm), Hz display is changed to Rpm.

DRV-04 [Frequency Mode] setting guide

Set	DRV-04	Name	Programming Description
0	Key Pad-1	Digital freq. command	1. In DRV-00, press the [PROG] key. 2. Set the desired freq. 3. Press the [ENT] key to write the new value into memory.
1	Key Pad-2		1. In DRV-00, press the [PROG] key. 2. Press the [↑(Up)] or [↓(Down)] key to set the desired freq. Speed is reflected to the inverter real time upon pressing the UP/DOWN keys. 3. Press the [ENT] key to write the new value into memory.
2	V1	Analog freq. command	Voltage analog input (0 to 12V) to Control terminal “V1”. See the description of I/O-01~05.
3	V1S		Voltage analog input (-12 to 12V, FWD/REV Run) to Control terminal “V1”. See the description of I/O-01~05.
4	I		Current analog input (4 to 20mA) to Control terminal “I”. See the description of I/O-06~10.
5	V1+I	0-12V/4-20mA Analog input Control terminal “V1”, “I”. See the description of I/O-01~10.	
6	Pulse	Pulse command	Set the command frequency (0-100kHz) from control input terminal “A0 or B0”. See the I/O-11~16.
7	Int. 485	Communication	Set the command frequency using RS485 (1200~19200bps) from “C+ or C-” control terminals. See the I/O-90~93.
8	Ext. PID	Ext. PID Reference frequency	Set APP-80 [Ext PI Mode] to [Yes]. Apply 4~20mA {Ext. PID feedback value} to control terminal “I”. Set one of the I/O-20~27 to [Ext PID Run]. When the defined terminal is ON, inverter starts Ext. PID operation and the Ext. PID output value becomes inverter command frequency. See APP-80~97 for more.

DRV-01, 02: Accel/Decel Time 0

DRV▶ Acc. time
01 20.0 sec **01** **20.0**

Factory Default: 20.0 sec **20.0**

DRV▶ Dec. time
02 30.0 sec **02** **30.0**

Factory Default: 30.0 sec **30.0**

The inverter targets FU1-73 when accelerating or decelerating. When FU1-73 is set to “Maximum Frequency”, the acceleration time is the time taken by the motor to reach FU1-30 from 0 Hz. The deceleration time is the time taken by the motor to reach 0 Hz from FU1-30 [Maximum Frequency]. When FU1-73 is set to “Delta Frequency”, the acceleration and deceleration time is the time taken to reach a target frequency (instead the maximum frequency) from a specific frequency.

The acceleration and deceleration time can be changed to a preset time via Programmable digital inputs. By setting M1~M8 to ‘XCEL-L’, ‘XCEL-M’, ‘XCEL-H’ respectively, the 1~7 Accel and Decel time set in I/O-50 to I/O-63 are applied by the binary inputs of the M1~M8.

Note: Set the Accel time more than 0.5 sec for smooth acceleration. Setting it too short may deteriorate the starting performance.

In case of the inverters for 110~450kW(150~600HP), the factory default of Accel/Decel Time is 60.0/90.0[sec] respectively.

Code	LCD display	Name	XCEL -H	XCEL -M	XCEL -L	Default
DRV-01	Acc time	Acc time 0	0	0	0	20 sec
DRV-02	Dec time	Dec time 0	0	0	0	30 sec
I/O-50	ACC-1	Acc time 1	0	0	1	20 sec
I/O-51	DEC-1	Dec time 1	0	0	1	20 sec
I/O-52	ACC-2	Acc time 2	0	1	0	30 sec
I/O-53	DEC-2	Dec time 2	0	1	0	30 sec
I/O-54	ACC-3	Acc time 3	0	1	1	40 sec
I/O-55	DEC-3	Dec time 3	0	1	1	40 sec
I/O-56	ACC-4	Acc time 4	1	0	0	50 sec
I/O-57	DEC-4	Dec time 4	1	0	0	50 sec

Code	LCD display	Name	XCEL -H	XCEL -M	XCEL -L	Default
I/O-58	ACC-5	Acc time 5	1	0	1	40 sec
I/O-59	DEC-5	Dec time 5	1	0	1	40 sec
I/O-60	ACC-6	Acc time 6	1	1	0	30 sec
I/O-61	DEC-6	Dec time 6	1	1	0	30 sec
I/O-62	ACC-7	Acc time 7	1	1	1	20 sec
I/O-63	DEC-7	Dec time 7	1	1	1	20 sec

FU1-73 [Reference Frequency for Accel and Decel]

Set the reference frequency for Accel/Decel time. It can be changed depending on the application.

Setting Range	Description
Max freq	The Accel/Decel time is the time that takes to reach the maximum frequency from 0 Hz.
Delta freq	The Accel/Decel time is the time that takes to reach a target frequency from any frequency.

FU1-74 [Accel/Decel time scale]

Set the Accel/Decel time unit.

Setting	Unit	Description
0	0.01 sec	Minimum 0 sec settable Maximum 60 sec settable
1	0.1 sec	Minimum 0 sec settable Maximum 600 sec settable (Factory setting)
2	1 sec	Minimum 0 sec settable Maximum 6000 sec settable*

DRV-03: Drive Mode (Run/Stop Method)

DRV▶ Drive mode
03 Fx/Rx-1 **03** **1**

Factory Default: Fx/Rx-1 **1**

Select the source of run/stop command.

Setting Range	Description
Keypad	Run/Stop control by Keypad.
Fx/Rx-1	Run/Stop control by Control Terminals command FX, RX. (Method 1) FX: Forward Run/Stop RX: Reverse Run/Stop
Fx/Rx-2	Run/Stop control by Control Terminals FX, RX. (Method 2)

Setting Range	Description
	FX: Run/Stop command RX: Forward/Reverse selection
Int. 485	Run/Stop control by Built-in RS485.

Note: Please refer to option board user manual for run/stop command by option board.

DRV-04: Frequency Mode

DRV▶ Freq mode	04	0
04 Keypad-1		

Factory Default: Keypad-1	0
---------------------------	----------

If the DRV-04 [Frequency Mode] is set to V1, V1S, I, V1+I, see the description of I/O-01~16 [Analog Voltage/Current input signal adjustment].

Setting Range	Description
Keypad-1	Frequency is set at DRV-00. The frequency is changed by pressing PROG key and entered by pressing ENT key.
Keypad-2	Frequency is set at DRV-00. Press PROG key and then by pressing the ▲ , ▼ key, the inverter immediately outputs the changed frequency. Pressing the ENT key saves the changed frequency.
V1	Apply the frequency reference (0-12V) to the “V1” control terminal. Refer to the I/O-01 to I/O-05 for scaling the signal.
V1S	Apply the frequency reference -12~12V and forward/reverse run to terminal V1. Refer to the I/O-01 to I/O-05. Caution) To use this function, it is not recommended to use Run Prevention function of FU1-01 (Forward/Reverse Prohibition).
I	Apply the frequency reference (4~20mA) to the “I” control terminal. Refer to the I/O-06 to I/O-10 for scaling the signal.
1+I	Apply the frequency reference (0~12V, 4~20mA) to the “V1”, “I” control terminals. The ‘V1’ signal overrides the ‘I’ signal. See I/O-01~10.
PULSE	Set the freq command using “A0, B0” terminals. Range: 0~100kHz. See I/O-11~16.

Setting Range	Description
Int. 485	Set the freq command using "C+, C-" terminals via RS485 communication. (1200~19200bps) See I/O-90~93.
Ext. PID	Set APP-80 [Ext PI Mode] to “Yes.” Apply Ext. PID feedback value “4~20mA” to control terminal “I”. Set one of the I/O-20~27 to [Ext PID Run]. Inverter starts Ext.PID operation when the defined terminal is ON and Ext.PID output value becomes inverter command frequency. See APP-80~97 for details.

DRV-05 ~ DRV-07: Step Frequency 1 ~ 3

DRV▶ Step freq-1	05	10.00
05 10.00 Hz		

Factory Default: 10.00 Hz	10.00
---------------------------	--------------

DRV▶ Step freq-2	06	20.00
06 20.00 Hz		

Factory Default: 20.00 Hz	20.00
---------------------------	--------------

DRV▶ Step freq-3	07	30.00
07 30.00 Hz		

Factory Default: 30.00 Hz	30.00
---------------------------	--------------

The inverter outputs preset frequencies set in these codes according to the Programmable Digital Input terminals configured as ‘Speed-L’, ‘Speed-M’, ‘Speed-H’ and ‘Speed-X’. The output frequencies are decided by the binary combination of M1~M8. See I/O-21~27 for Step Freq 4~7.

Binary Input Combination			Output Frequency	Step Speed
Speed-L	Speed-M	Speed-H		
0	0	0	DRV-00	Speed 0
1	0	0	DRV-05	Speed 1
0	1	0	DRV-06	Speed 2
1	1	0	DRV-07	Speed 3

Note: Speed 0 is the set value in DRV-04.

DRV-04 data	DRV-00, 0 speed	Freq command source
KeyPad-1	Digital command freq	Keypad
KeyPad-2	Digital command freq	Keypad

DRV-04 data	DRV-00, 0 speed	Freq command source
V1	Analog command freq	Terminal
VIS	Analog command freq	Terminal
I	Analog command freq	Terminal
V1+I	Analog command freq	Terminal
Pulse	Pulse command freq	Terminal
Int. 485	Comm. command freq	Terminal
Ext. PID	Ext.PID reference frequency	Keypad or Terminal

DRV-08: Output Current

DRV▶ Current 08 0.0 A	08	0.0
Factory Default: 0.0 A		0.0

This code displays the output current of the inverter in rms unit.

DRV-09: Motor RPM

DRV▶ Speed 09 0rpm	09	0
Factory Default: 0rpm		0

This code displays the motor speed in RPM while the motor is running. Use the following equation to scale the mechanical speed using FU2-47 [Gain for Motor Speed display] if you want to change the motor speed display to rotation speed (r/min) or mechanical speed (m/min).

Motor speed = 120 * (F/P) * Gain for Motor Speed display [FU2-47].
Where, F= Output Frequency and P= the Number of Motor Poles

DRV-10: DC Link Voltage

DRV▶ DC link vtg 10 ---- V	10	----
Factory Default: ---- V		----

This code displays the DC link voltage inside the inverter.

DRV-11: User Display Selection

DRV▶ User disp 11 0.0 V	11	0.0
Factory Default: 0.0 V		0.0

This code displays the parameter selected in FU2-81 [User Display]. One of Voltage (factory default, output voltage display) or Watt (output power display) is selectable.

DRV-12: Current Trip Display

DRV▶ Fault 12 None	12	n0n
Factory Default: None		n0n

This code displays the current fault (trip) status of the inverter. Use the **PROG**, **▲** and **▼** key before pressing the **RESET** key to check the fault content(s), output frequency, output current, and whether the inverter was accelerating, decelerating, or in constant speed at the time of the fault occurred. Press the **ENT** key to exit. The fault content will be stored in FU2-01 to FU2-05 when the **RESET** key is pressed. For more detail, please refer to Chapter 7. Troubleshooting and Maintenance.

[Fault Contents]

Fault (Trip)	LCD Keypad display
Over-Current 1	Over Current 1
Over-Voltage	Over Voltage
External Trip Input	Ext. Trip
Emergency Stop (Not Latched)	BX
Low-Voltage	Low Voltage
Ground Fault	Ground Fault
Over-Heat on Heat sink	Over Heat
Electronic Thermal Trip	E-Thermal
Over-Load Trip	Over Load
Inverter H/W Fault - EEP Error, ADC Offset, WDOG Error, In-Phase Open, No Motor Trip	HW-Diag
Over-Current 2	Over Current 2
Output Phase Loss	Out Phase Open
Inverter Over-Load	Inv. OLT

Note: There are WDOG error, EEP error, Input Phase Open, ADC Offset, No Motor Trip for the inverter Hardware Fault. Inverter will not reset when H/W fault occurs. Repair the fault before turning on the power.

Note: Only the highest-level fault will be displayed when multiple faults occur. The rest of faults can be monitored in FU2-01~05 [Fault history]. Cycle the power when the fault is cleared.

Up to 5 faults can be saved in FU2-01~05 [Fault history]. The lowest hierarchy fault such as “Last trip 5” is the latest. After pressing [PROG] key, press [↑(Up)], [↓(Down)] key to check the operation information at the time of the fault (Output freq., current, Accel/Decel/Constant Run) and fault type. Press the [ENT] key to escape. FU2-06 [Erase fault history] clears the faults information. However, FU2-83 [Last Trip Time] is automatically reset when a trip occurs.

Code	Display	Description
FU2-01	Last trip-1	Fault history 1
FU2-02	Last trip-2	Fault history 2
FU2-03	Last trip-3	Fault history 3
FU2-04	Last trip-4	Fault history 4
FU2-05	Last trip-5	Fault history 5

FU2-83 [Last Trip Time] shows the total time elapsed after the last trip occurs so it is possible to know the actual trip time by recounting.

DRV-14: Command/Output Frequency Display

DRV▶TAR 0.00Hz
14 OUT 0.00Hz

Factory Default: 0.00Hz

This code shows the Command (Target) Frequency set in DRV-00 and inverter Output Frequency.

DRV-15: Reference/Feedback Frequency Display

DRV▶REF 0.00Hz
15 FBK 0.00Hz

Factory Default: 0.00Hz

This code shows the Reference Frequency and Feedback Frequency while PID operation. Appears only when ‘Yes’ is selected in APP-02.

Inverter PID controller’s reference and feedback value are displayed. When APP-02 [PID operation selection] is set to “YES,” reference and feedback values are displayed in Hz. When APP-02 [PID operation selection] is set to “YES,” and APP-06 [PID feedback selection] is set (one of the I, V1, Pulse) and the desired unit is set in I/O-86 [V1 Unit Sel], I/O-87 [I Unit Sel], I/O-88 [PulseUnitSel] according to the selection in APP-06, PID reference and feedback value will be displayed in user-selected unit.

Ex1) When [mBar] is set

DRV ▶REF 500.0 mBa
15 FBK 82.1 mBa

Ex2) When [kPa] is set

DRV ▶REF 500.0 kPa
15 FBK 82.1 kPa

DRV-16: Hz/Rpm Display

DRV▶ Hz/Rpm Disp 16 0
16 0 Hz

Factory Default: 0 Hz 0

Set this parameter to 0 [Hz] to display frequency, or to 1[Rpm] to display speed.

DRV-18: PID Parameter (To monitor PID controller’s Reference/Feedback value and Inverter’s Command/output frequency)

Displays PID controller’s reference/feedback value and inverter’s command/output frequency. When APP-02 [PID operation selection] is set to “YES,” reference and feedback values are displayed in Hz. When APP-02 [PID operation selection] is set to “YES,” and APP-06 [PID feedback selection] is set (one of the I, V1, Pulse) and the desired unit is set in I/O-86 [V1 Unit Sel], I/O-87 [I Unit Sel], I/O-88 [PulseUnitSel] according to the selection in APP-06, PID reference and feedback value as well as Inverter command and output frequency will be displayed by percent [%] unit.

R 50.00%	T 45.3 Hz
F 8.24%	DRV 18

R 50.00%	T 45.3 Hz
F 8.24%	O 43.7 Hz

DRV-19: AD Parameter (To monitor the AD conversion value of Analog input)

AD value of the Analog input used for Freq mode, PID or Ext. PID reference/feedback can be monitored in DRV-19.

Ex) When using V1 and I

V1 274	V2 0
VIS 0	I 103

DRV-20: EXT-PID Parameter (To monitor ExtPID controller's reference/ feedback/ output value)

Displays ExtPID controller's reference/ feedback/ output value.

When APP-80 [External PID operation] is set to "YES," reference and feedback are displayed in Percent unit.

When APP-02 [PID operation selection] is set to "YES," and APP-06 [PID feedback signal selection] is set (one of the I, V1, Pulse) and the desired unit is set in I/O-86 [V1 Unit Sel], I/O-87 [I Unit Sel], I/O-88 [PulseUnitSel] according to the selection in APP-06, PID reference and feedback value will be displayed by percent [%] unit.

R 50.00%	T 45.32 Hz
F 8.24%	DRV 20

DRV-22: Local/Remote Key (To use the function of Local/Remote key)

DRV-22 [LocalRemKey] is set to exchanges the LOCAL/REMOTE control.

Definition:

-. Remote : This is set to run reference and frequency reference according to DRV-03, 04.

(Terminal, Communication, Multi-speed, etc.)

-. Local : It designates the panel with inverter which is can be controlled by Keypad.

Code	Display	Description	Default	Range
DRV-22	LocalRemKey	The method of exchange from Remote to Local controlling	Cntl&RefStop	2nd source Cntl&RefStop Control Stop Ref Only Cntl&Ref Run Control Run Disable

<Function definition>

-. **2nd Source** : When 'LOC/REM' is inputted, the inverter will be stop according to designated stop method and the inverter will be operated with Run and Frequency reference set in DRV-91, 92.

☞ **Caution**: In case of the external communication , the manual operation is operated set in DRV-03, 04.

-. **Cntl&RefStop** : When 'LOC/REM' is inputted, the inverter will be stop according to designated stop method. Inverter will be operated with Run and Frequency reference from keypad.

-. **Control Stop** : When 'LOC/REM' is inputted, the inverter will be stop according to designated stop method. Inverter will be operated with Run reference from keypad and Frequency reference set in DRV-04.

-. **Ref Only** : When 'LOC/REM' is inputted, the inverter will be operated with set frequency from keypad and Run reference set in DRV-03.

-. **Cntl&Ref Run** : When 'LOC/REM' is inputted, the inverter will keep the operating status in Remote status and it can be set Run and Frequency reference from keypad.

-. **Control Run** : When 'LOC/REM' is inputted, the inverter will keep the operating status. It can be set the Run reference from keypad and it can be operated with the Frequency reference set in DRV-04.

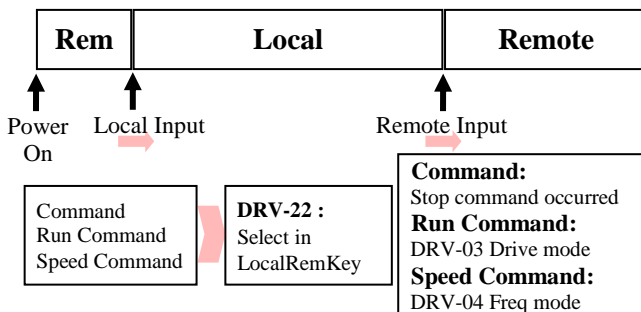
-. **Disable** : Not use the function.

DRV-22	Description
Cntl&Ref Stop	Run/Stop: Input Stop command
	Run command: CMD_KPD

DRV-22	Description
	Speed command: FREQ_DIG1
Control Stop	Run/Stop: Input Stop command
	Run command: CMD_KPD
	Speed command: DRV-04 Freq mode – keep the current state
Ref Only	Run/Stop: keep the current state
	Run command: DRV-03 Drive mode – keep the current state
	Speed command: FREQ_DIG1
Cntl&Ref Run	Run/Stop: keep the current state
	Run command: CMD_KPD
	Speed command: FREQ_DIG1
Control Run	Run/Stop: keep the current state
	Run command: CMD_KPD
	Speed command: DRV-04 Freq mode – keep the current state
Disable	Run/Stop: keep the current state
	Run command: DRV-03 Drive mode – keep the current state
	Speed command: DRV-04 Freq mode – keep the current state

Code	Display	Description	Default	Range
DR V-23	Key Ref Mode	Select the operation mode when keypad is removed (or comm. is disconnected.)	Disable	Minimum Spd Last Spd Preset Spd 1 Stop Fault Disable

DRV-23	Description
Minimum Spd	Operates the inverter with minimum frequency when keypad is removed.
Last Spd	Operates the inverter with current frequency when keypad is removed.
Preset Spd 1	Operates the inverter with set frequency in DRV-5 [Stop freq 1].
Stop	Stop the inverter according to FU1-23 [Stop mode] when keypad is removed.
Fault	If keypad is removed, inverter will cut off its output and displays fault message.
Disable	This function disabled. (Factory Default)



Note: When mode is exchanged from Local to Remote, inverter operates according to Run reference after stop.

DRV-23: Keypad Reference Mode (To select the operation mode after Keypad is removed.)

When keypad is removed from dirve, drive reference changes to what you slelect here or controls stopping or faulting the drive. Inverter operation is according to the DRV-23 KeyPadMode settings. This function will be operated only when DRV-03, 04 is set to keypad.

6.2 Function 1 Group [FU1]

FU1-00: Jump to Desired Code #

FU1▶ Jump code
00 1

Factory Default: 1 1

Jumping directly to any parameter code can be accomplished by entering the desired code number.

This parameter is moved by pressing **PROG** key and set to 23 with [**↑**(UP)], [**↓**(DOWN)] key and then entered by pressing **ENT** key.

FU1 ▶ Stop mode
23 Decel

FU1-01: Run Prevention

FU1▶ Run prev.
01 None 01 0

Factory Default: None 0

This function prevents reverse operation of the motor. This function may be used for loads that rotate only in one direction such as fans and pumps.

Setting Range	Description
None	Forward & Reverse run available. (Factory default)
Forward Prev	Forward run prohibited.
Reverse Prev	Reverse run prohibited.

Note: If DRV-04 frequency mode is set to V1S mode, Forward/Reverse Prevention setting can not be designated.

FU1-02: Acceleration Pattern
FU1-03: Deceleration Pattern

FU1▶ Acc. pattern
02 Linear 02 0

Factory Default: Linear 0

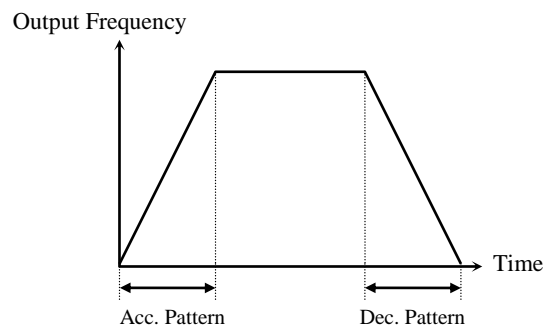
FU1▶ Dec. pattern
03 Linear 03 0

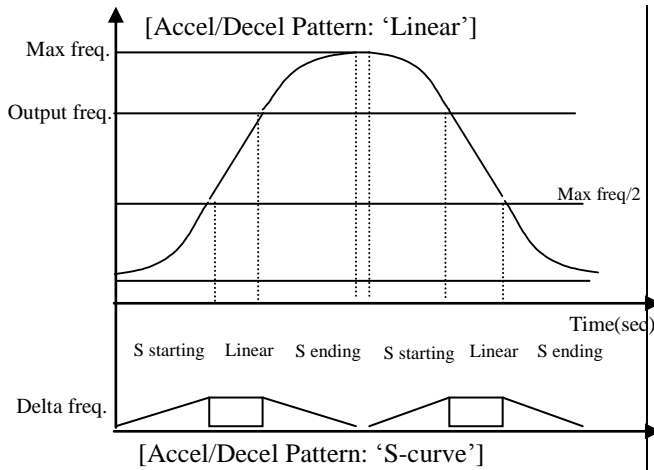
Factory Default: Linear 0

Different combinations of acceleration and deceleration patterns can be selected according to the application.

Setting Range	Description
Linear	A general pattern for constant torque applications. (Factory default)
S-curve	This pattern allows the motor to accelerate and decelerate smoothly. The actual acceleration and deceleration time takes longer- about 40% than the time set in DRV-01 and DRV-02. This setting prevents shock during acceleration and deceleration, and prevents objects from swinging on conveyors or other moving equipment. * In case Acc/Dec reference freq. is set to max. frequency, - Curve ratio is determined by the part of Starting and Target curve. - S-curve can be made to several ways by setting the ratio of starting/ending point. * In case Acc/Dec reference freq. is set to Delta frequency, - Acc/Dec time that is based on preset freq. instead of max. freq. will be applied so perfect S curve is accomplished. * FU1-04: Start curve for S-curve, FU1-05: End curve for S-curve
U-curve	This pattern provides more efficient control of acceleration and deceleration in typical winding machine applications.

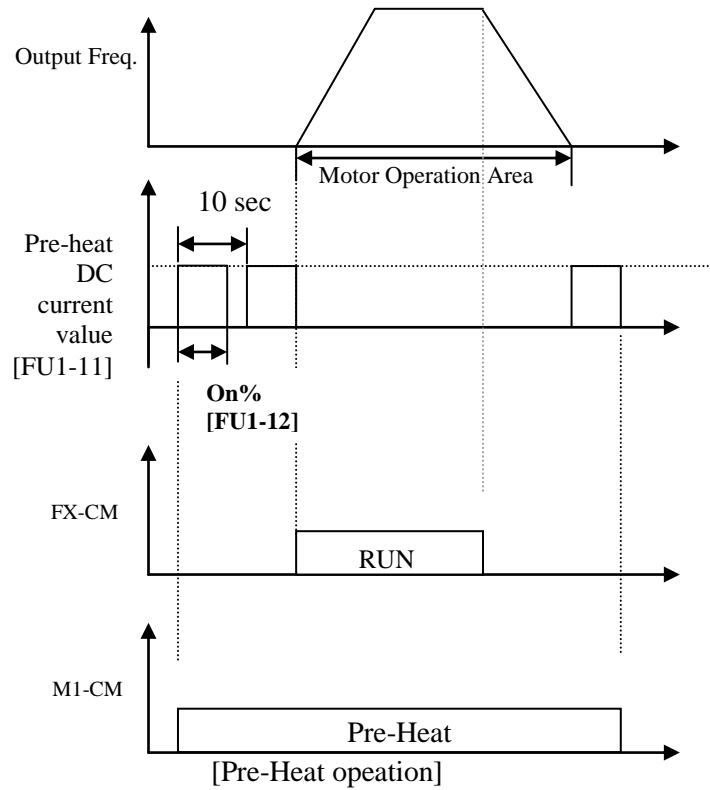
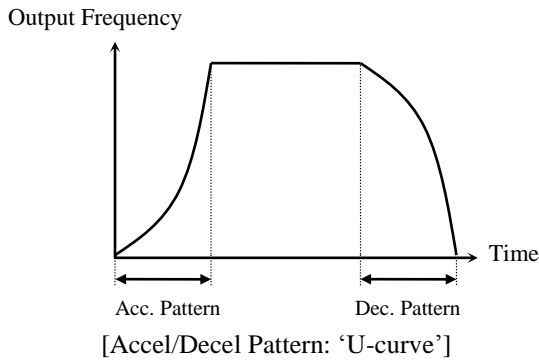
Note: Setting value in DRV-01 and DRV-02 is ignored.





Actual accel time = Preset accel time + Preset accel time * Starting curve ratio/2 + Preset accel time * Ending curve ratio /2

Actual decel time = Preset decel time + Preset decel time * Starting Curve ratio/2 + Preset decel time * Ending curve ratio/2



Pre-heat function is activated when FU1-10 [Pre-heat] is set to “Yes”, one of the Programmable digital input terminals in I/O-20~27 set to “Pre-heat” and the defined terminal is turned ON. Only active at inverter stop.

- FU1-11 [Pre-heat value] is set in percent of motor rated current.
- FU1-12 [Pre-heat duty] sets the duty for 10 seconds. At 100% setting, DC current is continuously supplied to the motor.

- ⚠ **Caution:** Parameter change is disabled during pre-heat function. Remove the reference command at the terminal before programming.
- ⚠ **Caution:** Reduce FU1-11 [Pre-heat value] or FU1-12 [Pre-heat duty] when inverter or motor is overheated.

FU1-10~12: Pre-heat (to use Pre-heat function)

FU1▶Pre-HeatMode		
10	No	10 0

Factory Default:	No	0
------------------	----	----------

This function enables a motor to prevent moisture from entering and not to develop condensation inside at stop in a humid area by supplying DC current to the motor continuously.

Chapter 6 - Parameter Description [FU1]

FU1-20: Start Mode
FU1-21: Starting DC Magnetizing Time
FU1-22: Starting DC Magnetizing Value

FU1▶ DcSt time
 21 0.0 sec **21** **0.0**

Factory Default: 0.0 sec **0.0**

FU1▶ DcSt value
 22 50 % **22** **50**

Factory Default: 50 % **50**

Inverter holds the starting frequency for Starting DC Magnetizing Time. It outputs DC voltage to the motor for FU1-21 [Starting DC Magnetizing Time] with the FU1-22 [Starting DC Magnetizing Value] before accelerating.

Select the starting method of the inverter.

	FU1-20 set data	Function description
0	Accel	Acceleration to start (Factory default)
1	Dc-start	Inverter starts acceleration after magnetizing DC current.
2	Flying-start	Inverter starts RUN while a motor is rotating.

- 1) The direction of Motor rotation and the command should be set equal to optimum use of Flying-start function. However, this function is effective with less than 50% to rated rpm when direction of motor rotation and reference command is opposite.
- 2) DC-start is disabled when FU1-21 or 22 is set to "0".
- 3) DC-start is deactivated in Sensorless mode.
- 4) It is possible to occur No Motor Trip in case that there is output phase loss when DC-start is operated

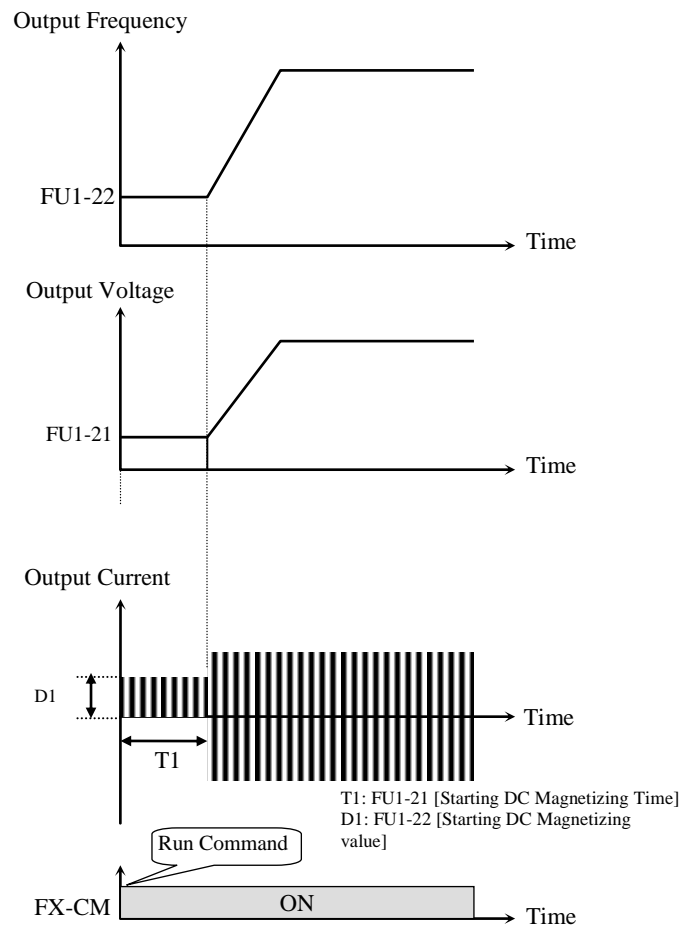
Inverter starts acceleration after FU1-21 [Starting DC Magnetizing Time] while FU1-22 [Starting DC Magnetizing Voltage] is operated.

[Operation of Flying Start]

CODE	Function	Setting Method				Operation
		Flying Start	Power On Start	RST Resatrt	IPO Mode	
FU1-20	Speed search on acceleration	Set				Over-current is occurred on Free-Run
FU2-20	Speed search at Power On	Set	Set			Speed search is activated according to

CODE	Function	Setting Method				Operation
		Flying Start	Power On Start	RST Resatrt	IPO Mode	
						the setting of Flying start.
FU2-21	Speed search at Trip Reset			Set		Speed search must be activated on Trip Reset.
FU2-22	Speed search at instantaneous interruption		Set		Set	Power On Start must be set to operate Speed search.

Code	LCD Display	Default	Setting
FU1-21	DcSt time	0 [sec]	0 ~ 60 [sec]
FU1-22	DcSt value	50 [%]	0 ~ 150 [%]



[DC-start Operation]

FU1-22 [Starting DC Magnetizing Value] is the DC Current amount applied to the motor and is set as percent of FU2-43 [Rated Motor Current].

Note: Do not set FU1-22 [Starting DC Magnetizing Value] higher than Inverter Rated Current. Otherwise, Motor Overheating or Overload Trip may occur.

FU1-23: Stop Mode

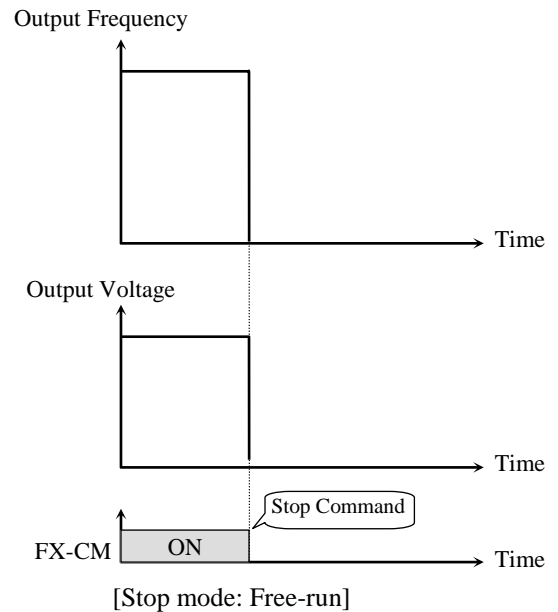
FU1▶ Stop mode
23 Decel **23** **0**

Factory Default: Decel **0**

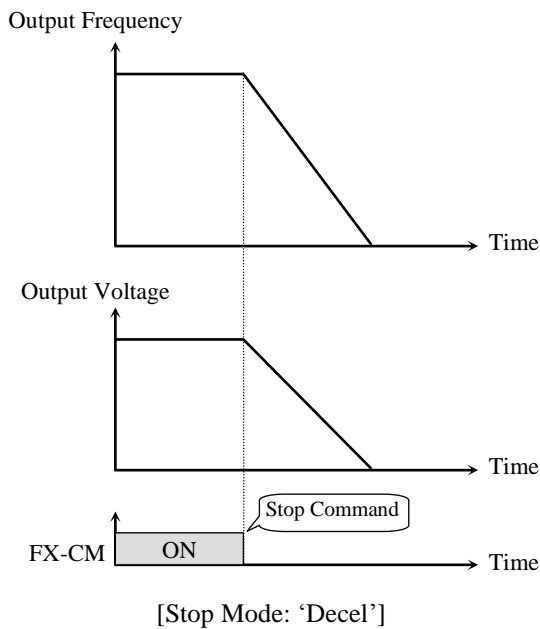
Sets the stopping method for the inverter.

Setting Range	Description
Decel	Inverter stops by the deceleration pattern.
Dc-brake	Inverter stops with DC injection braking. Inverter outputs DC voltage when the frequency reached the DC injection braking frequency during decelerating.
Free-run (Coast to stop)	Inverter cuts off its output immediately when the stop signal is commanded. In case of load to big inertia, the motor needs the long time to stop.
Flux brake	Fast stop is available by converting the regenerating energy into heat at the motor.

Caution: Motor may be overheated due to frequent use of Flux Brake function.



FU1-24: DC Injection Braking Hold Time
FU1-25: DC Injection Braking Frequency
FU1-26: DC Injection Braking Time
FU1-27: DC Injection Braking Value



FU1▶ DcBlk time
24 0.10 sec **24** **0.10**

Factory Default: 0.10 sec **0.10**

FU1▶ DcBr freq
25 5.00 Hz **25** **5.00**

Factory Default: 5.00 Hz **5.00**

FU1▶ DcBr time
26 1.0 sec **26** **1.0**

Factory Default: 1.0 sec **1.0**

FU1▶ DcBr value
27 50 % **27** **50**

Factory Default: 50 % **50**

By introducing a DC voltage to the motor windings this function stops the motor immediately. Selecting 'DC-Brake' in FU1-23 activates FU1-24 through FU1-27.

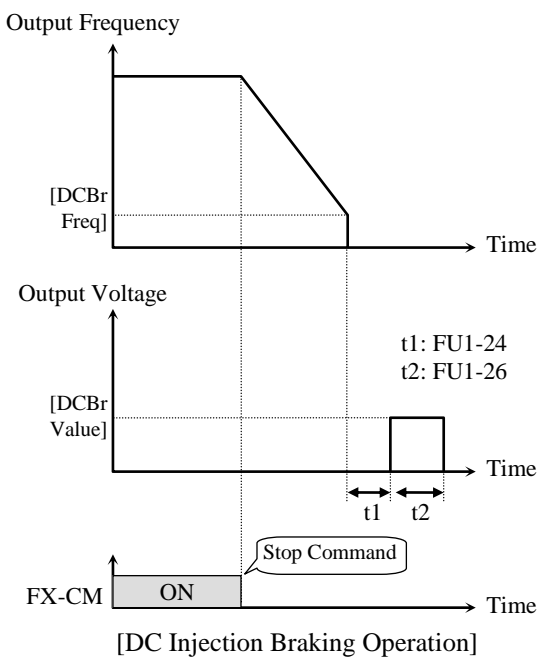
When FU1-23 [Stop mode] is set to “DC Brake”, inverter decelerates until FU1-25 [DC Injection Braking Frequency] and begins DC Braking at this frequency.

FU1-24 [DC Injection Braking Hold Time] is the inverter output blocking time before DC injection braking.

FU1-25 [DC Injection Braking Frequency] is the frequency at which the inverter starts to output DC voltage during deceleration.

FU1-26 [DC Injection Braking Time] is the time the DC current is applied to the motor.

FU1-27 [DC Injection Braking Value] is the DC voltage applied to the motor and is based on FU2-43[Rated Motor Current].



Note: Do not set the FU1-27 higher than Inverter rated current. Otherwise, it may lead to motor overheat or overload trip.
Note: Do not set FU1-25 [DC Braking Frequency] too high than its range (between 0~5Hz). Otherwise, it may deteriorate its performance.

If the load inertia is large, Set DC brake value to high. If the apposite case, set DC brake value to low. Be careful that this function is used in the high load application like washing machine, dehydrator etc..

FU1-28: Safety Stop

FU1▶ Safety Stop	28	0
28 No		
Factory Default: No		0

FU2-46 [Inertia Rate] function set the Total Inertia of system in comparison with Motor Inertial itself. If the speed is same, Energy (Energy = $J * \omega^2 / 2$) that save in system is proportional to Inertia J. If J value in same deceleration time is larger, over-voltage will be occurred by regenerative voltage. If the set value is larger, deceleration ratio will become smaller.

This function is used to prevent potential danger from occurring when the whole system is stopped by power outage but the load keeps spinning due to high load inertia.

Inverter will changed the V/F ratio automatically and it can make the continuous operation when instantaneous voltage drop or instantaneous power failure is occurred in condition of Safety Stop selected. (The time differs from the system.)

When momentary power failure occurs while Safety Stop is active, inverter stops the motor by deceleration. Deceleration time depends on load inertia energy.

If the load inertia rate is far different between the factory set value and an actual value, set the proper value in FU2-46 [Load Inertia] for optimum use of the Safety Stop function. When the load inertial is large, trip may occur during this function. In this case, increase the FU2-46 [Load Inertia] value little by little to find the proper value. For more stable Safety Stop Function, see FU1-90[Safety Stop Inertia Rate].

⚠ Caution: This function is effective for high load inertia.

FU1-29: Line Frequency

FU1▶ Line Freq	29	60.00
29 60.00 Hz		
Factory Default: 60.00 Hz		60.00

It sets input power frequency. Set 50 or 60Hz in FU1-29 [Line Frequency].

Caution: If line frequency is changed, related frequencies such as Max frequency, Base frequency are automatically changed. To set the related frequencies different to line, user should set the codes manually.

FU1-30: Maximum Frequency
FU1-31: Base Frequency
FU1-32: Starting Frequency

FU1▶ Max freq	30	60.00
30 60.00 Hz		

Factory Default: 60.00 Hz **60.00**

FU1▶ Base freq	31	60.00
31 60.00 Hz		

Factory Default: 60.00 Hz **60.00**

FU1▶ Start freq	32	0.50
32 0.50 Hz		

Factory Default: 0.50 Hz **0.50**

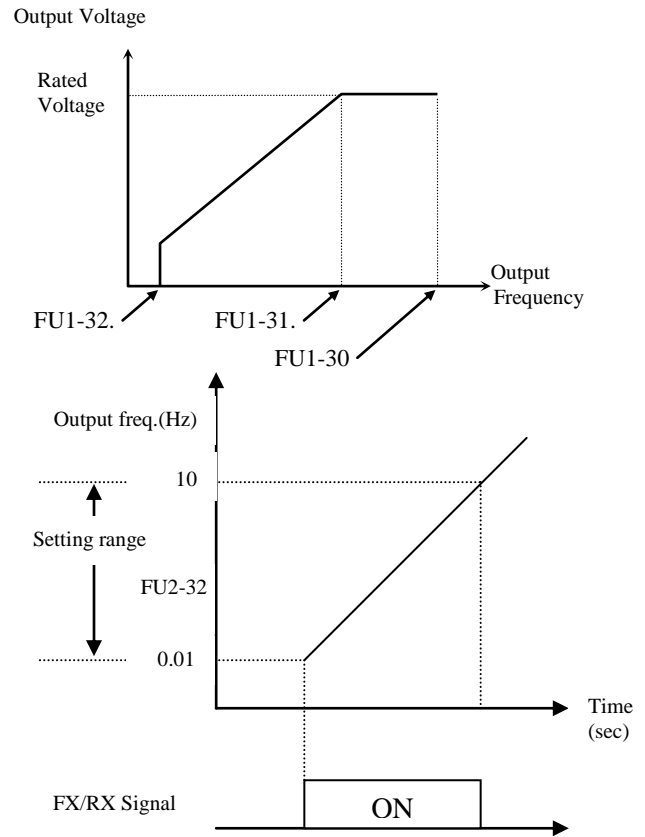
FU1-30 [Maximum Frequency] is the maximum output frequency of the inverter. Make sure this maximum frequency does not exceed the rated rotation speed of the motor.

FU1-31 [Base Frequency] is the frequency where the inverter outputs its rated voltage. Base frequency have to set in the range of maximum frequency. Output of inverter (frequency, voltage) must be set according to the rating of the motor. Rating of standard motor is 60Hz. If the motor is operated with commercial power, base frequency have to set matching with line frequency.

FU1-32 [Starting Frequency] is the frequency where the inverter starts to output its voltage. **If it is set to 5Hz, motor starts running from 5 Hz.**

Caution: Note that these codes setting is automatically changed when FU1-30 and FU1-31 are set before setting FU1-29 [Line Frequency].

Caution: Note that Overheat trip or torque shortage may occur if FU1-31 is set different to motor rated frequency.



Note: Motor starts running at 5Hz when FU2-32 is set to 5Hz.

FU1-33: Frequency Limit Selection
FU1-34: Low Limit Frequency
FU1-35: High Limit Frequency

FU1▶ Freq limit	33	0
33 No		

Factory Default: No **0**

FU1▶ Lim Lo Freq	34	0.50
34 0.50 Hz		

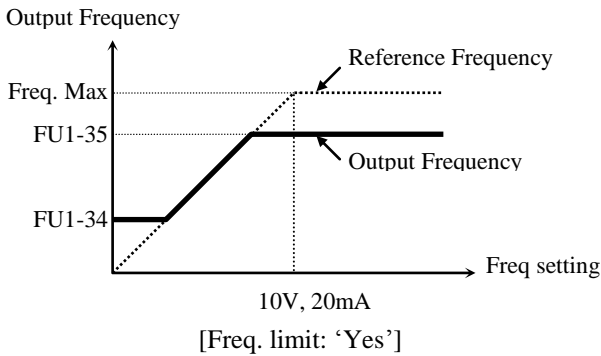
Factory Default: 0.50 Hz **0.50**

FU1▶ Lim Hi Freq	35	60.00
35 60.00 Hz		

Factory Default: 60.00 Hz **60.00**

FU1-33 selects the limits the inverter operating frequency. If FU1-33 is set to 'Yes', inverter operates within the upper and lower limit setting. The inverter operates at the upper or the lower limit

when the frequency reference is outside the frequency limit range.



Note: if freq set value is below freq low limit, inverter operates at the low limit.

Note: Normal Accel/Decel is performed for the range below low limit during Accel/Decel.

FU1-40: Volts/Hz Pattern

FU1▶ V/F pattern	40	0
40 Linear		

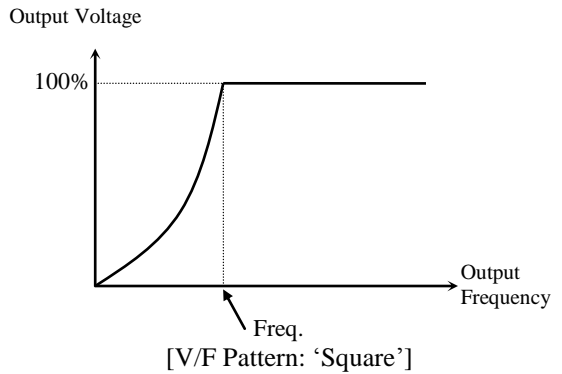
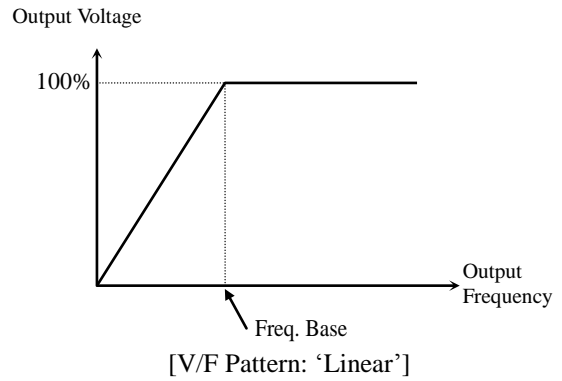
Factory Default: Linear **0**

This is the pattern of voltage/frequency ratio. Select the proper V/F pattern according to the load. The motor torque is dependent on this V/F pattern.

[Linear] pattern is used where constant torque is required. This pattern maintains a linear volts/frequency ratio from zero to base frequency. This pattern is appropriate for constant torque applications. The performance will be improved with the help of FU2-67~69 [Torque boost].

[Square] pattern is used where variable torque is required. This pattern maintains squared volts/hertz ratio. This pattern is appropriate for fans, pumps, etc.

[User V/F] pattern is used for special applications. Users can adjust the volts/frequency ratio according to the application. This is accomplished by setting the voltage and frequency, respectively, at four points between starting frequency and base frequency. The four points of voltage and frequency are set in FU1-41 through FU1-48.



FU1-41 ~ FU1-48: User V/F Frequency and Voltage

FU1▶ User freq 1	41	15.00
41 15.00 Hz		

Factory Default: 15.00 Hz **15.00**

FU1▶ User volt 1	42	25
42 25 %		

Factory Default: 25 % **25**

FU1▶ User freq 4	47	60.00
47 60.00 Hz		

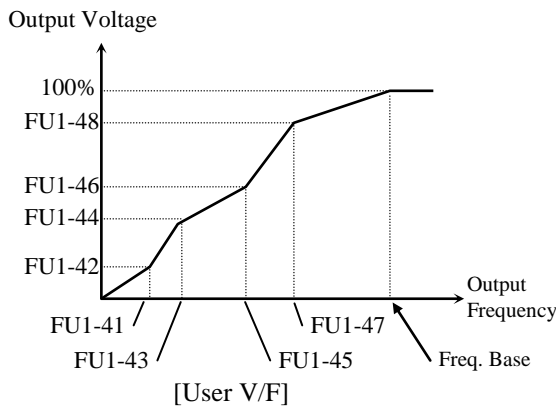
Factory Default: 60.00 Hz **60.00**

FU1▶ User volt 4	48	100
48 100 %		

Factory Default: 100 % **100**

These functions are available only when 'User V/F' is selected in FU1-40 [V/F pattern]. Users can make the custom V/F pattern by setting four points between FU1-32 [Starting Frequency] and FU1-31 [Base Frequency].

Description	LCD Display	Setting Range
No Motor Selection	No Motor Sel	0 (No) 1 (Yes)
Trip Current Level	No Motor Level	5 – 100 [%]
Trip Time Setting	No Motor Time	0.5 – 10.0 [sec]



Note: When the 'User V/F' is selected, the torque boost of FU1-67 through FU1-69 is ignored.

FU1-49: AC Input Voltage Adjustment

FU1▶ AC Input Volt	49	86.4 %
--------------------	----	--------

Factory Default: 86.4 % **86.4**

It should be set correctly when inverter input voltage and standard input power rating is far different. Otherwise, it will cause inverter damage. This set value affects inverter LV trip (low voltage trip) level. Used only when line fluctuation exceeds its permissible range or input power far different to its standard value is applied.

Code	LCD Display	Default	Setting
FU1-49	AC Input Volt	100 [%]	73 – 115 [%]

Note: As soon as FU1-49 value is set through a button on the keypad, its set value is applied.

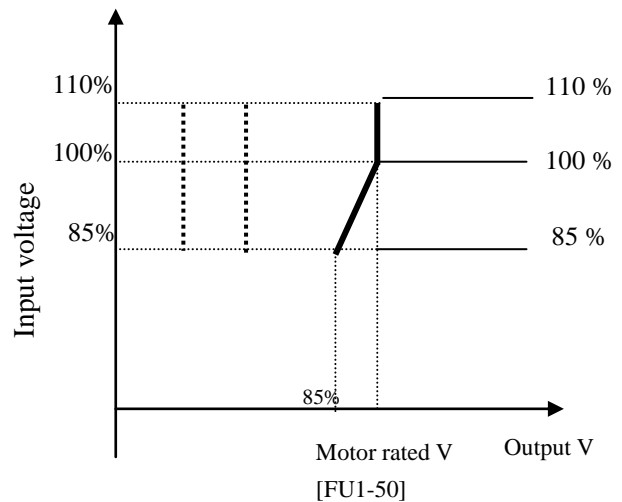
FU1-50: Motor Voltage

FU1▶ Motor Volt	50	0
-----------------	----	---

Factory Default: 0 V **0**

Constant voltage output is possible regardless of input voltage fluctuation by setting this parameter.

Caution: When input voltage is less than FU1-50 [Motor rated voltage], Max output voltage cannot exceed input voltage.



FU1-51~52: Energy Save, Energy Save Level

FU1▶ Energy save	51	0
------------------	----	---

Factory Default: 0 **0**

FU1▶ Manual save%	52	0
-------------------	----	---

Factory Default: 0 % **0**

This function is used to reduce the output voltage in applications that do not require high torque and current at its steady speed. The inverter reduces its output voltage after accelerating to the reference frequency (steady speed) if the energy save level is set at 20%. This function may cause over-current trip due to the lack of output torque in a fluctuating load.

Chapter 6 - Parameter Description [FU1]

When Energy Save is ON, it may take longer during deceleration to stop.

	FU1-51 setting	Description
0	None	Disabled (Factory setting)
1	Manual	Energy save ON by decreasing the output with the value set in FU1-52.
2	Auto	Energy save ON automatically.

Code	LCD	Name	Default	Range
FU1-52	Manual Save	Energy save %	0 [%]	0~30 [%]

FU1-54: Integrating Wattmeter

- Displays both MWh and kWh in FU1-54.
Ex) 1500 kWh
- Max Cumulative value is displayed in FU1-54 as shown below. Ex) 9,999,999.9kWh
- FU1-54 is not be reset.
⚠ Caution: FU1-54 value may differ from the actual value due to the tolerances.

FU1 ▶ KiloWattHour
54 1M 00.0kWh

FU1 ▶ KiloWattHour
54 9999M 999.9kWh

FU1-55: Inverter temperature

FU1 ▶ Inv. Temp 55	44	55	44
Factory Default:	44		44

IGBT's surface temperature is displayed in FU1-55.

FU1-56: Motor temperature

FU1 ▶ Motor Temp 56	0	56	0
Factory Default:	0		0

Motor temperature detected by external thermal sensor terminal (NT) is displayed in FU1-56.

FU1-57: No Motor Sel FU1-58: No Motor Level FU1-59: No Motor Set Time

FU1 ▶ No Motor Sel
57 YES

Factory Default: YES

FU1 ▶ NoMotorLevel
58 5 %

Factory Default: 5

FU1 ▶ NoMotorTime
59 3.0 sec

Factory Default: 3.0 sec

These functions can be used to generate Trip in the situation such that there is no actual inverter output but the Main Controller of its hardware does not recognize it. (Damage of SPS for Gate and Damage of Gate, etc.)

When FU1-57 [No Motor Sel] is set to 'Yes', the output current less than the value set in FU1-58 [No Motor Level] for a longer period of time than that set in FU1-59 [No Motor Time], a HW-Diag Trip will occur displaying the message 'No Motor Trip'. (The current level is based on the set Motor rated current.)

Trip occurs when the inverter is operated without wiring a motor.

FU1-60: Electronic Thermal (Motor i²t) Selection
FU1-61: Electronic Thermal Level for 1 Minute
FU1-62: Electronic Thermal Level for Continuous
FU1-63: Electronic Thermal Characteristic (Motor type) selection

These functions protect the motor from overheating without using external thermal relay. Inverter calculates the temperature rise in a motor based on several parameters and determines whether or not the motor is overheated from load current. Inverter will disable its output and display a trip message when the electronic thermal feature is activated.

FU1▶ ETH select 60 --- Yes ---	60	1
-----------------------------------	-----------	----------

Factory Default: Yes **1**

This function activates the ETH parameters by setting 'Yes'. ETH level is set as the percentage of FU2-43 [Motor rated current].

FU1▶ ETH 1min 61 150 %	61	150
---------------------------	-----------	------------

Factory Default: 150 % **150**

This is the reference current when the inverter determines the motor has overheated. For example, it trips in one minute when 150% of rated current of motor set in FU2-43 flows for one minute.

Note: The set value is the percentage of FU2-43 [Rated Current of Motor].

FU1▶ ETH cont 62 120 %	62	120
---------------------------	-----------	------------

Factory Default: 120 % **120**

This is the current at which the motor can run continuously. Generally, this value is set to '100%', which means the motor rated current set in FU2-43. This value must be set less than FU1-61 [ETH 1min].

Note: The set value is the percentage of FU2-43 [Rated Motor Current].

FU1▶ Motor type 63 Self-cool	63	0
---------------------------------	-----------	----------

Factory Default: Self-cool **0**

To make the ETH function (Motor i²t) work correctly, the motor cooling method must be selected correctly according to the motor.

[Self-cool] is a motor that has a cooling fan connected directly to the shaft of the motor. Cooling effects of a self-cooled motor decrease when a motor is running at low speeds. The Motor is easily heated when operating at low speed, compared to the motor at high speed with the same current. The motor continuous allowable current is derated as the motor speed decreases as shown below figure.

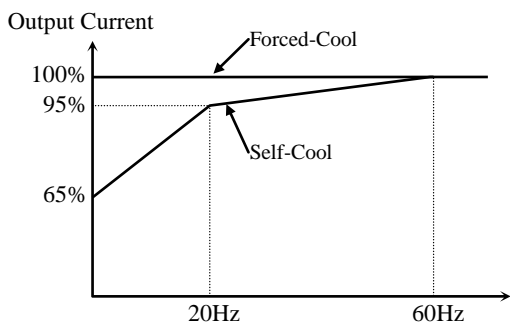
[Forced-cool] is a motor that uses a separate motor to power a cooling fan. As the motor speed changes, the cooling effect does not change. FU1-62 [Electronic thermal level for continuous] set value is utilized regardless of operating frequency.

☞ When operating frequency exceeds 20Hz:

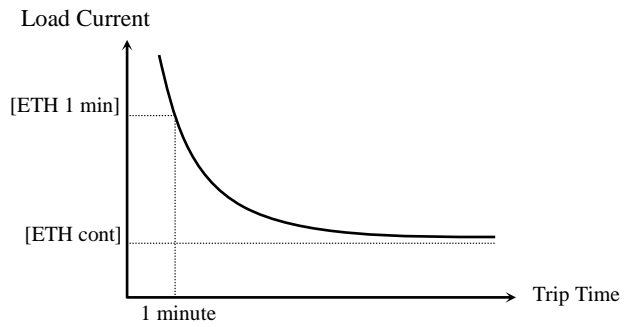
$$\text{Continuous allowable current}[\%] = (0.125 * \text{Operating frequency} + 92.5)$$

☞ When operating frequency not exceeds 20Hz:

$$\text{Continuous allowable current} [\%] = (1.5 * \text{Operating frequency} + 65)$$



[Load Current Derating Curve]



[Motor i^2t Characteristic Curve]

Note: Even if the motor current changes frequently due to load fluctuation or acceleration and deceleration, the inverter calculates the i^2t and accumulates the value to protect the motor.

FU1-64: Overload Warning Level
FU1-65: Overload Warning Time

FU1▶ OL level 64 110 %	64	110
--------------------------------	-----------	------------

Factory Default: 110 % **110**

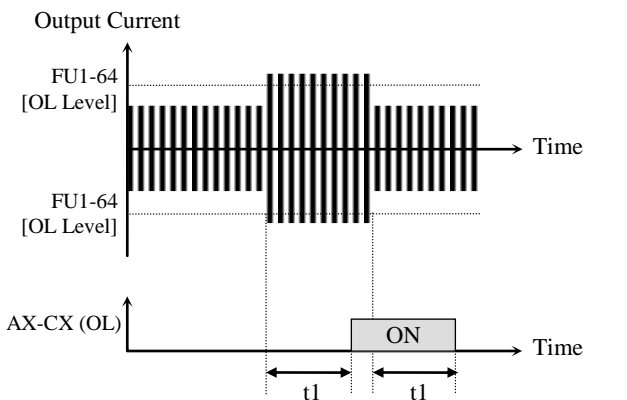
FU1▶ OL time 65 10.0 sec	65	10.0
----------------------------------	-----------	-------------

Factory Default: 10.0 sec **10.0**

The inverter generates an alarm signal when the output current has reached the FU1-64 [Overload Warning Level] for the FU1-65 [Overload Warning Time]. The alarm signal persists for the FU1-65 even if the current has become the level below the FU1-64.

Programmable Digital Output Terminal (AX-CX) is used as the alarm signal output. To output the alarm signal, set I/O-76 [Multifunction Auxiliary Contact Output] to 'OL'. Continues the operation after output the overload alarm signal to Programmable Digital Output Terminal.

Note: FU1-64 is set as the percentage of FU2-43 [Rated Motor Current].



[Overload Warning]

FU1-66: Overload Trip Selection
FU1-67: Overload Trip Level
FU1-68: Overload Trip Delay Time

FU1▶ OLT select 66 --- No ---	66	0
----------------------------------	-----------	----------

Factory Default: No **0**

FU1▶ OLT level 67 120 %	67	120
---------------------------------	-----------	------------

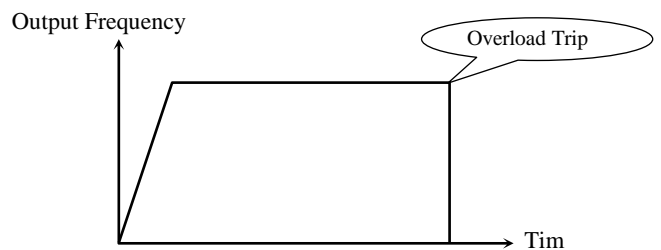
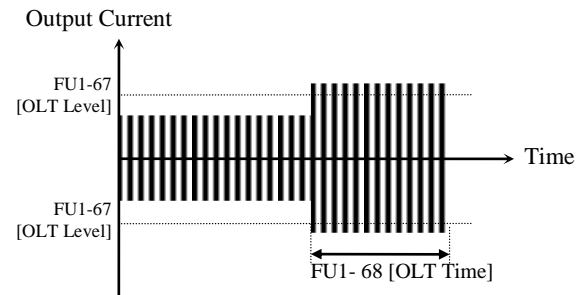
Factory Default: 120 % **120**

FU1▶ OLT time 68 60.0 sec	68	60.0
-----------------------------------	-----------	-------------

Factory Default: 60.0 sec **60.0**

Inverter cuts off its output and displays fault message when the output current persists over the FU1-67 [Overload Trip Level] for the time of FU1-68 [Overload Trip Time]. This function protects the inverter and motor from abnormal load conditions.

Note: The set value is the percentage of FU2-43 [Rated Current of Motor].



[Overload Trip Operation]

FU1-69: Input/Output Phase Loss Protection (Bit Set)

FU1▶ Trip select			
69	100	69	100

Factory Default: 100 **100**

This function is used to cut the inverter output off in case of phase loss in either input power or inverter output.

1st bit: Output phase loss protection

Enable/Disable

- 0: Disabled at Output phase loss protection.
- 1: Enabled at Output phase loss protection.

Inverter output is shut down and stopped.

2nd bit: Input phase loss protection

Enable/Disable

- 0: Input phase loss protection disabled.
- 1: Input phase loss protection enabled. Inverter output is shut down and stopped.

3rd bit: Direct input operation selection

Bit 3 cuts off the output when magnetic contactor from second system turns On/Off at direct input operation.

(This function is outputted to operation state at protection state but it is not outputted.)

- 0: Direct input operation protection disabled.
- 1: Direct input operation automatic protection enabled.

FU1-70~71: Stall Prevention Level

FU1▶ Stall Mode			
70	No	70	No

Factory Default: No **No**

FU1▶ Stall level			
71	110 %	71	110

Factory Default: 100 % **110**

Set as a percentage of FU2-43 [Rated Current of Motor].

This function is used to prevent the motor from stalling by reducing the inverter output frequency until the motor current decreases below the stall prevention level. This function can be selected for each mode of acceleration, steady speed, and

deceleration via bit combination.

Stall level will be automatically reduced if inverter is operated at a frequency higher than the base frequency.

Note: If the stall prevention level is above 120% of inverter rated current, the level will be limited at 120% of inverter rated current.

Note: Acceleration time may get longer due to stall prevention during Acceleration.

Note: Inverter starts deceleration when Stop command is applied while motor stall state persists.

Note: Output frequency may oscillates due to stall prevention during constant run.

Note: Deceleration time may get longer due to stall prevention during Deceleration.

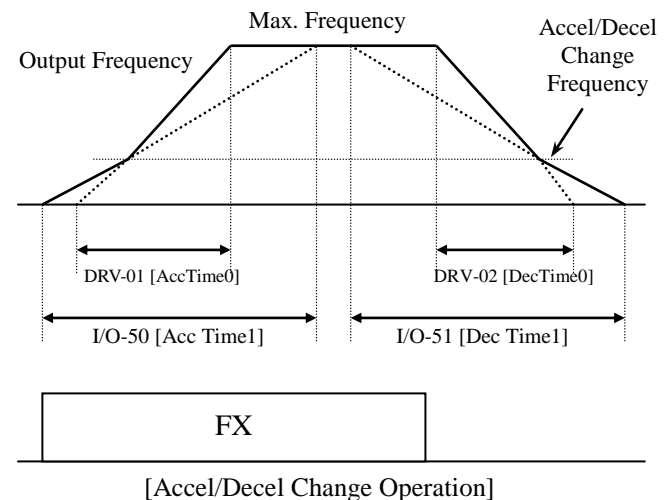
FU1-72: Accel/Decel Change Frequency

FU1▶ Acc/Dec ch F			
72	0.00 Hz	72	0.00

Factory Default: 0.00 Hz **0.00**

This function is used to change Accel/Decel ramp at a certain frequency. This is useful in textile machine application. For example, when stop command is ON while inverter runs at 100Hz, inverter swiftly decelerates and changes the ramp at this frequency, leading to soft stop.

Note: If Accel/Decel change frequency is set and 'XCEL-L', XCEL-M', and XCEL-H' defined in Programmable digital terminals are ON, Multi Accel/Decel operation has the priority.



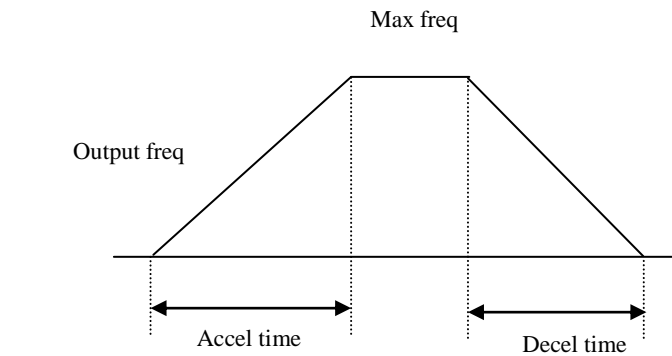
FU1-73: Reference Frequency for Accel/Decel

FU1▶ Acc/Dec freq
73 Max **73** **0**

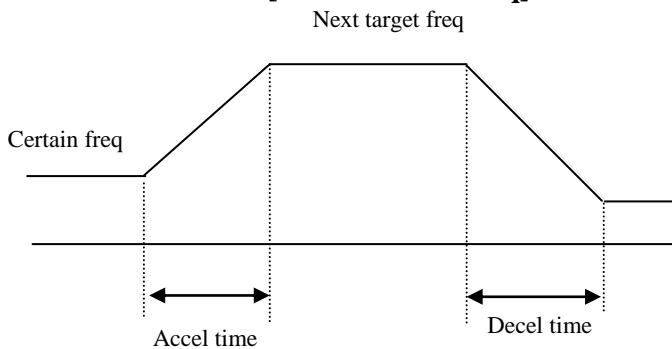
Factory Default: Max **0**

This is the reference frequency for acceleration and deceleration. If a pre-determined Accel/Decel time from a frequency to a target frequency is required, set this value to 'Delta freq'. It can changeable by application field.

Setting Range	Description
Max freq (Factory default)	The Accel/Decel time is the time that takes to reach the maximum frequency from 0 Hz.
Delta freq	The Accel/Decel time is the time that takes to reach a target frequency from any frequency.



[FU1-73: Max. Freq]



[FU1-73: Delta Freq]

FU1-74: Accel/Decel Time Scale

FU1▶ Time scale
74 0.1 sec **74** **1**

Factory Default: 0.1 sec **1**

This is used to change the time scale.

Setting Range	Description
0.01 sec	The Accel/Decel time is changed by

	10 msec. The maximum setting range is 60 seconds.
0.1 sec (Factory default)	The Accel/Decel time is changed by 100 msec. The maximum setting range is 600 seconds.
1 sec	The Accel/Decel time is changed by 1 sec. The maximum setting range is 6000 seconds.

FU1-75: Up/Down Frequency Save Selection

FU1▶ UpDn Save
75 No **80** **0**

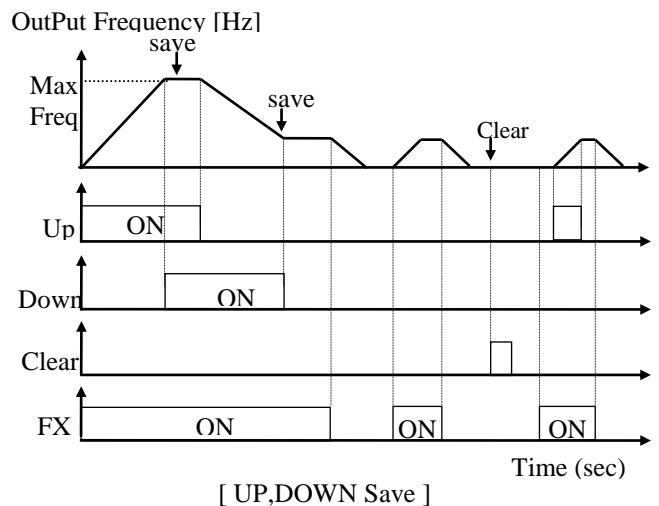
Factory Default: No **0**

FU1-76: Up/Down Frequency Save Display

FU1▶ UpDnSave Frq
76 0.00Hz **81** **0**

Factory Default: 0.00Hz **0**

This function is used when Multi function Input terminal is set to Up/Down. The Frequency at releasing point of Multi Function Input Terminal(Up/Down)is saved by FU1-75 and it is displayed in FU1-76. The Frequency that is saved is reset by Multi Function Input Terminal(Clear).



FU1-80: Voltage Suppression

FU1▶ Suppression
80 Yes **80** **0**

When output current is much low (ex. no connected motor) inverter automatically suppress output voltage.If you set this parameter NO inverter not suppress output voltage.

⚠ CAUTION

If you not connect the motor or connect motor which is much lower capacity than inverter, this function is activated. So, output voltage is suppressed. If you do not want to use this function, Set this parameter [NO].

6.3 Function 2 Group [FU2]

FU2-00: Jump to desired code #

FU2▶ Jump code
00 1

Factory Default: 1 1

Set the code number to which to jump within function group 2. Allows quick access to a desired parameter.

**FU2-01~05: Last trip 1~5
FU2-06: Erase Trips**

FU2▶ Last trip-1 01 None 01 n0n

Factory Default: None n0n

FU2▶ Last trip-5 05 None 05 n0n

Factory Default: None n0n

This code displays up to five previous fault (trip) status of the inverter. The lowest numbered fault such as “Last trip 1” is the most recent. Use the **PROG**, **▲** and **▼** key before pressing the **RESET** key to check the fault content(s) such as output frequency, output current, and the operation status whether the inverter was accelerating, decelerating, or in constant speed before the time of the fault occurred. Press the **ENT** key to escape. FU2-83 [Last Trip Time] is the time elapsed after last trip occurs. User can count the last trip time from this value.

FU2▶ Erase trips 06 --- No --- 06 0

Factory Default: No 0

This function erases all fault histories of FU2-01 to FU-05 from the memory. However, FU2-83 [Last Trip Time] cannot be reset.

**FU2-07: Dwell Time
FU2-08: Dwell Frequency**

FU2▶ Dwell time 07 0.0 sec 07 0.0

Factory Default: 0.0 sec 0.0

FU2▶ Dwell freq 08 5.00 Hz 08 5.00

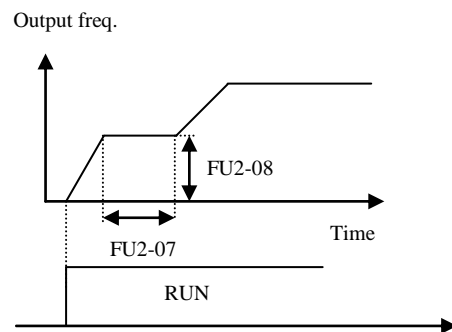
Factory Default: 5.00 Hz 5.00

Acceleration after momentary stop when starts the operation with heavy load.

Note: If the dwell time is set at ‘0’, this function is not available.

Note: Do not set the Dwell frequency above frequency command. Otherwise, it may lead to operation fault.

Note: this function is disabled in Sensorless control.



FU2-10 ~ FU2-16: Frequency Jump

FU2▶ Jump freq 10 --- No --- 10 0

Factory Default: No 0

FU2▶ jump lo 1 11 10.00 Hz 11 10.00

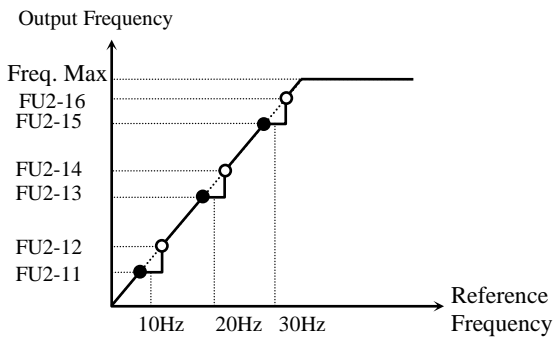
Factory Default: 10.00 Hz 10.00

FU2▶ jump Hi 1 12 15.00 Hz	12	15.00
Factory Default: 15.00 Hz		15.00

FU2▶ jump lo 3 15 30.00 Hz	15	30.00
Factory Default: 30.00 Hz		30.00

FU2▶ jump Hi 3 16 35.00 Hz	16	35.00
Factory Default: 35.00 Hz		35.00

Specifies whether or not certain frequencies will be jumped to help prevent undesirable resonance and vibration on the structure of the machine. Three different jump frequency ranges may be set. This avoidance of frequencies does not occur during acceleration or deceleration, only during continuous operation.



[Frequency Jump]

When the reference frequency is set between the jump frequency low/high limit, the drive will run at the low limit frequency.

Note: If any 2 ranges are overlapped, the lowest limit will establish the combined low limit

Note: Jump freq. is ignored during Accel/Decel.

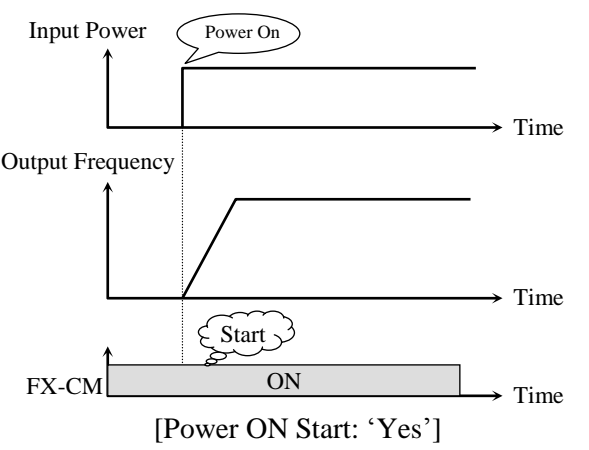
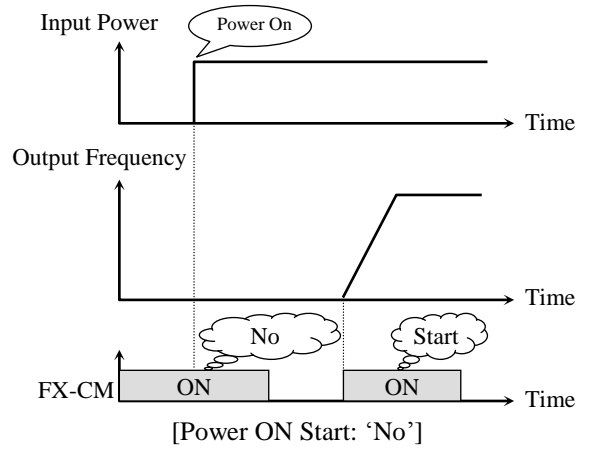
FU2-20: Power ON Start Selection

FU2▶ Power-on run 20 No	20	0
Factory Default: No		0

Specifies whether or not the drive will automatically start when power is applied to the drive if a digital input that is programmed as a run command is on at the time power is applied. If FU2-20 is set to 'No', turn the terminal off and turn on to restart the inverter even though the FX/RX signal is ON. If FU2-20 is set to 'Yes', the inverter will restart after power is restored. If the motor is rotating by inertia at the time power is restored, the inverter may trip. To avoid this trip, use 'Speed Search' function by setting bit 4 to '1'. If Speed search is not selected, inverter shows normal V/F pattern at acceleration.

⚠ CAUTION

Particular attention must be directed to this function as motor starts to run suddenly upon applying AC input power. Otherwise, it may result in personal damage.



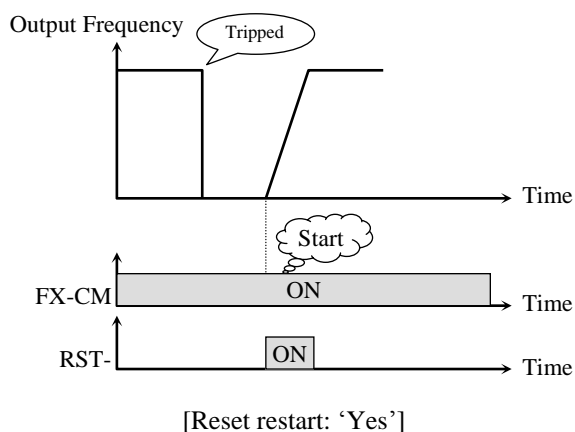
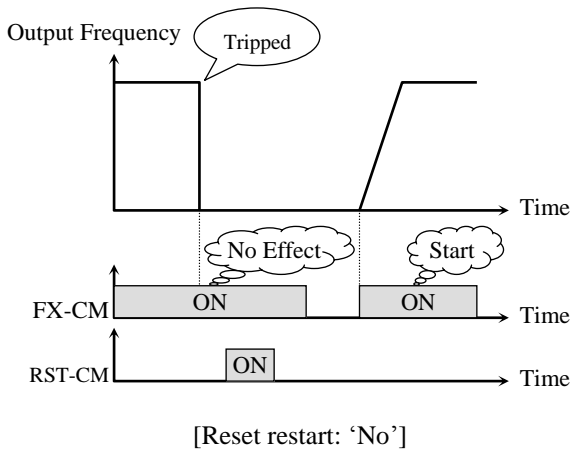
FU2-21: Restart After Fault Reset Selection

FU2▶ RST restart
21 No **21** **0**

Factory Default: No **0**

If FU2-21 is set to 'No', restart the inverter by cycling the FX or RX terminal to CM terminal after the fault has been reset.

If FU2-21 is set to 'Yes', inverter will restart after the RST (reset) terminal has been reset a fault. If the motor is rotating by inertia at the time power is restored, the inverter may trip. To avoid this trip, use 'Speed Search' function by setting bit 2 to 'xx1x'.



FU2-22: Re-start Selection after Temporary Outage

FU2▶ IPF Mode
22 No **22** **0**

Factory Default: No **0**

If FU2-22 is set to "Yes", it is used to start automatically the inverter without Trip while the power is restored after interrupt power fault. This function enables the inverter to Flying-start in order to reach target frequency without Trip regardless of FU1-20 Start Mode

Note that RUN command is functioned only when FU2-20 is set to Auto Restart for safety.

If FU2-22 is set to "No", turn the terminal off and turn on to restart the inverter even though the FX/RX signal is ON.

Note: Flying-start is used for Speed Search function.

FU2-23: Speed Search Type Selection

FU2▶ Search Type
24 estimated SS **24** **Estimated SS**

Factory Default: estimated SS **estimated SS**

Code	Display	Description	Default	Setting Range
FU2-23	Search Type	Speed Search type selection	estimated SS	estimated SS
FU2-27	Flying Perc	Speed Search Current Limit	70	30 - 160

This function is used to permit automatic restarting after Power ON, Fault Reset and Instant Power Failure without waiting for the motor free run to stop.

CAUTION
Particular attention must be directed to this function as motor starts to run suddenly after the fault is reset. Otherwise, it may result in personal damage.

FU2-27 [Flying Perc] limits the output current to

set value of Flying Perc in operation of Flying start or Speed Search.

FU2-46[Load Inertia] must be set correctively. If Speed Search function is needed at FU2-20 Power On Start Selection, FU2-21 Restart After Fault Reset Selection and FU2-Retry mode, FU1-20 must be set Flying Start.

☞ Note: estimated SS does not need to set gain setting, real SS need to set the gaint setting of FU2-28 Ss_Kp and FU2-29 real Ss_Ki according to the case.

☞ Note: Speed search current limit level is set to percentage according to Motor rating current which is set in FU2-43 [Motor rating current]. It also freerun when meets stop signal on the way of speed search.

FU2-24~26: Auto Restart Tries			
FU2▶Retry Mode 24	No	24	No
Factory Default:	No		0
FU2▶Retry number 25	0	25	0
Factory Default:	0		0
FU2▶Retry delay 26	1.0 sec	26	1.0
Factory Default:	1.0 sec		1.0

Allows a tripped drive to automatically reset itself after a fault thus making provisions for automatic restart. The number of retries is set in parameter FU2-25 and the delay before attempting the fault reset and restart of the drive is programmed in FU2-26. Should the reset/restart attempts exceed the number programmed in FU2-25, then the drive will latch the fault, display an appropriate fault message and prohibit an automatic restart.

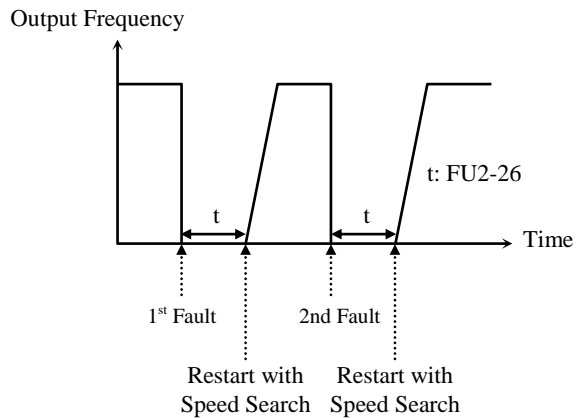
If the auto restart function is used with tripped drive, FU2-24 [Retry Mode] should be set to YES.

If the trip persists after FU2-26, number of trip is increased and Auto restart function is disabled. For example, FU2-25 [Retry number] is 1 with FU2-26 [Retry delay] set to 10 sec, if trip persists over 10

seconds and then is reset (cleared), Auto restart is not performed. Inverter may be tripped out in Motor Free-run status when this function is issued. To avoid it, use the speed search function. Set FU2-21 to 'xx1x'. See FU2-21 ~ FU2-23. If Speed Search function is not selected, drive will be operated with normal V/F pattern.

Note: Disabled when a low voltage (LV) trip, inverter disable (BX) or Arm short occurs.

Note: Inverter decreases the retry number by one as a fault occurs. If trip does not occur after restarting for 30 seconds, the inverter increases the retry number by one and maximum number is limited by the value set in FU2-25.



⚠ CAUTION

Particular attention must be directed to this function as motor restarts automatically after the fault is reset. Otherwise, it may result in personal damage.

- FU2-40: Motor Capacity Selection**
- FU2-41: Number of Motor Pole**
- FU2-42: Rated Motor Slip**
- FU2-43: Rated Motor Current**
- FU2-44: No Load Motor Current**
- FU2-45: Motor Efficiency**
- FU2-46: Load Inertia**

If users do not set these values, inverter will use factory default values.

FU2▶ Motor select 40 5.5kW	40	4	
Factory Default: 5.5 kW 4 (This value is set automatically according to the inverter model.)			

This parameter sets the motor capacity. FU2-42 [Rated Slip], FU2-43 [Rated Current], FU2-44 [No Load Current], FU2-62 [Stator Resistance], FU2-63 [Rotor Resistance], and FU2-64 [Leakage Inductance] are automatically changed according to motor capacity.
If FU2-44 [No load Curr] is incorrect, run the inverter without the load in V/F mode and check the current at the constant run state and enter this value to FU2-44 [No load Curr].

FU2▶ Pole number 41 4	41	4	
Factory Default: 4 4			

This is used to display the motor speed. If you set this value to 2, inverter will display 3600 rpm instead of 1800rpm at 60Hz output frequency. (See motor nameplate) When motor pole number is more than 4, select an inverter one rating higher than that of the motor because motor rated current is large.

FU2▶ Rated-Slip 42 2 Hz	42	2	
Factory Default: 2 Hz 2 (This value is set according to the motor capacity set in FU2-40)			

This is used in ‘Slip Compensation’ control. If you set this value incorrectly, motor may stall during slip compensation control. (See motor nameplate)

FU2▶ Rated-Curr 43 19.7 A	43	19.7	
-----------------------------------	-----------	-------------	--

Factory Default: 19.7 A 19.7 (This value is set according to the motor capacity set in FU2-40)			
---	--	--	--

This is very importance parameter that must be set correctly. This value is referenced in many of other inverter parameters. (See motor nameplate)

FU2▶ Noload-Curr 44 6.6 A	44	6.6	
-----------------------------------	-----------	------------	--

Factory Default: 6.6 A 6.6 (This value is set according to the motor capacity set in FU2-40)			
---	--	--	--

This parameter is only displayed when ‘Slip Compen’ is selected in FU2-60 [Control Method]. If this value is incorrect, check the current after operating in V/F mode without load connected and enter that current value.

Note: make sure to use correct value for FU2-44 [No-load Current]. Otherwise, Sensorless performance may be degraded.

Note: Preset motor parameters may differ with user motors. In this case, enter the nameplate value of your motor to the corresponding parameters. If motor rating exceeds inverter capacity, unsatisfactory control performance may result because all other control parameters follow inverter capacity.

FU2▶ Inertia rate 46 0	46	10	
--------------------------------	-----------	-----------	--

Factory Default: 0 10			
-----------------------------------	--	--	--

This parameter is used for sensorless control, Minimum Accel/Decel, Optimum Accel/Decel and Speed search. For better control performance, this value must be set correctly. Install a DB unit or regenerative converter to improve the performance.

Set ‘0’ for loads that has load inertia less than 10 times that of motor inertia.

Set ‘1’ for loads that have load inertia about 10 times that of motor inertia.

Motor rated slip freq [Hz]=(Rated input freq. [Hz] – (Motor rpm * P/120))

P: Number of motor poles

(Ex) In the case of 60Hz, 4 pole, 1730 rpm motor

Motor rated slip freq [Hz]= (60[Hz]-(1750[rpm] * 4/120))
=60[Hz]-58.67[Hz]=1.33[Hz]

FU2-47: Gain for Motor Speed Display

FU2▶ RPM factor	47	100
47 100 %		

Factory Default: 100 % **100**

This code is used to change the motor speed display to rotating speed (r/min) or mechanical speed (m/min). Speed value is displayed at DRV-09. The display is calculated by following equation.

Rotating speed (r/min) = 120 × F / P × Motor RPM Display Gain

Where, F=Output frequency, P= Motor pole number

FU2-48: Carrier Frequency

FU2▶Carrier freq	48	5.0
48 5.0 kHz		

Factory Default: 5.0 kHz **5.0**

Code	LCD Display	Factory Default		Setting Range
FU2-48	Carrier freq	0.75 ~ 2 kW	5 [kHz]	0.7 ~ 15 [kHz]
		30 kW		0.7 ~ 10 [kHz]
		37 ~ 75 kW	4 [kHz]	0.7 ~ 4 [kHz]
		90 ~ 280 kW	3 [kHz]	0.7 ~ 3 [kHz]
		315 ~ 450 kW	2 [kHz]	0.7 ~ 2 [kHz]

This parameter affects the audible sound of the motor, noise emission from the inverter, inverter temperature, and leakage current. If the ambient temperature where the inverter is installed is high or other equipment may be affected by potential inverter noise, set this value lower. However, If it set lower than 1KHz, it can degrade performance. (It is recommend to use the factory default value.) If set above 10kHz, reduce the rated current by 5% per 1kHz. Setting Carrier frequency set below 1.5 [kHz] when the FU2-60 [Control mode selection] is set to Sensorless can result in reduced performance.

Caution: FU2-48 [Carrier freq] setting range varies as inverter capacity.

FU2-49: PWM Mode Selection (to reduce noise or leakage current by changing PWM method)

FU2▶ PWM Select	49	0
49 Normal		

Factory Default: Normal **0**

Noise and leakage current can be reduced without changing carrier frequency by decreasing switching cycle.

When Normal is selected at motor starting, inverter changes switching frequency sequentially from low to set value . “Low Leakage” is used to reduce Leakage current by decreasing switching cycle.

No	FU2-49 setting	Description
0	Normal	Operation via basic Carrier (switching) frequency.
2	Low Leakage	Change (Carrier) switching frequency pattern to reduce leakage current.

Caution: Reducing the Carrier frequency may increase noise.

Caution: When [Low leakage] is selected while carrier frequency is set lower than 2.0 kHz will be automatically set to 2.0kHz.

FU2-52~53: Safety Stop

FU2▶ Dec Rate	52	100
52 100		

Factory Default: 52 **100**

Set the deceleration time at FU2-52 [Dec Rate] when Safety function is operating. Input the taking time that the motor free run to stop in operation.

Set the Output Voltage decreasing rate at FU2-53 [Safety Perc] when Safety function is operating.

Code	LCD Display	Factory Default	Setting Range	Description
FU2-52	Dec Rate	100 [sec]	1.0~100.0 [sec]	Safety Stop deceleration rate
FU2-53	safety _perc	21	2 ~ 500	Safety Stop Output decreasing rate

FU2-60: Control mode selection

FU2▶Control mode	60	0
60 V/F		
Factory Default: V/F		0

Selects the control mode of the inverter

FU2-60 setting	LCD Display	Description
0	V/F	V/F Control
1	Slip compensation	Slip compensation
2	Sensorless	Sensorless vector control speed operation

◆ **V/F control:**

This parameter controls the voltage/frequency ratio constant. It is recommended to use the torque boost function when a greater starting torque is required. Related function: FU2-67~69 [Torque boost].

◆ **Slip compensation:**

This function is used to maintain constant motor speed. To keep the motor speed constant, the output frequency varies within the limit of slip frequency set in FU2-42 according to the load current. For example, when the motor speed decreases below the reference speed (frequency) due to a heavy load, the inverter increases the output frequency higher than the reference frequency to increase the motor speed. The inverter increases or decreases the output by delta frequency shown below.

$$\text{Delta freq (Slip Comp. Freq.)} = \text{Motor Rated slip} * (\text{Output current} - \text{Motor No load current}) / (\text{Motor rated current} - \text{Motor No load current})$$

$$\text{Output freq} = \text{Reference freq} + \text{Delta freq}$$

FU2-40~46 [Motor parameters] is automatically determined by FU2-40 [Motor selection]. Most suitable motor capacity corresponding inverter capacity is set as factory setting, but the following parameters can be adjusted if necessary.

FU2-40~46 [Motor related parameters for Slip Compensation]

Code	LCD Display	Description
FU2-40	Motor select	Select motor capacity
FU2-42	Rated-Slip	Motor rated slip (Hz)
FU2-43	Rated-Curr	Motor rated current (rms)
FU2-44	Noload-Curr	Motor no load current (rms)
FU2-45	Efficiency	Motor efficiency (%)
FU2-46	Inertia rate	Motor inertia rate

Note: Incorrectly set FU2-44 [Motor No-load Current] value may weaken the Sensorless control.

◆ **Sensorless (Sensorless vector speed control) operation:**

Use it when 1) high starting torque is needed at low speed 2) load fluctuation is high 3) rapid response is needed. To use this function, set FU2-40~46 [Motor parameters] and FU2-60 [Control mode selection] properly.

If not using LG 220V/440V Class motor: Set “Yes” in FU2-61 [Auto tuning] first before using this control.

Related parameters: FU2-40~46, FU2-60, FU2-62~66

Code	LCD display	Parameter
FU2-62	RS	Stator resistance
FU2-63	Lsigma	Leakage inductance
FU2-65	SL P-gain	Sensorless P gain
FU2-66	SL I-gain	Sensorless I gain

[Guide for Optimal Use of Sensorless Vector Control]

For optimal use of the sensorless control, the following conditions should be met. If one of the following conditions is not satisfied, the inverter may malfunction due to insufficient torque, irregular rotation, or excessive motor noise. In this case, it is recommended to use V/F control.

- Use a motor capacity that is equal to or one horsepower level lower than the inverter capacity.
- Two types of motor parameters can be set for one inverter, but use only one type for sensorless control.
- Use a LG(HIGEN) 220V/440V(0.4kW~30kW) class motor. If other makers’ motor or a LG

220V/380V dual rating motor is used, utilize the auto tuning feature in FU2-61 [Auto tuning] before starting.

- Set appropriate values for the electronic thermal function, the overload limit function and the stall prevention. The set values should exceed 100% of the rated motor current.
- When DRV-04 [Frequency Mode] is set to “V1”, “V1S”, “I”, or “V1+I”, wiring should be conducted to eliminate potential noise influence with the frequency reference.
- Pole number of the motor should be 2 pole, 4 pole, or 6 pole.
- The distance between the inverter and the motor should not exceed 100m (328 ft).

[Cautions on Sensorless Vector Control]

- Forced-cooling should be used for the motor when the average operating speed is under 20Hz and more than 100% load is used constantly.
- Motor may rotate 0.5% faster than the maximum speed if the motor temperature does not reach normal operating temperature.
- Utilize the auto-tuning feature when the motor reaches normal temperature (average temperature where the motor normally operates).
- Output torque may be reduced when an output filter option is used between the inverter and the motor.
- Overcurrent trip may occur if FU2-62 [Stator resistance] is set twice more than auto-tuned value.

[Detail Tuning Method for Sensorless Vector Control]

- Adjust the FU2-44 [No Load Motor Current (RMS)] value larger or smaller by 5% units if the current is larger or smaller than that of V/F control under small load.
- Adjust the FU2-42 [Rated Motor Slip] value larger or smaller by 5% units if the speed is faster or slower than that of V/F control with rated load.

FU2-61~63: Auto tuning

FU2▶ Auto tuning	61	0
61 NO		

Factory Default: NO	0
---------------------	----------

All of the motor parameters can be tuned by setting “YES (1)”. Auto tuning is deactivated when “No (0)” is selected.

FU2-61 setting	LCD Display	Description
0	No	Do not measure the parameter.
1	Yes	Measure all parameter.

Code	LCD Display	Description	Factory Default	Setting Range
FU2-62	%Rs	Stator resistance	4 [%]	0.01 – 20 [%]
FU2-63	%Lsigma	Leakage Inductance	12 [%]	0.01 – 100 [%]

The auto tuning function automatically measures the motor parameters needed for control selected in FU2-60 [Control mode] such as stator resistance, rotor resistance, leakage inductance, no-load current and Encoder feedback frequency.

The rated current, voltage, efficiency and slip described in the motor nameplate should be entered before performing auto tuning. If efficiency is not indicated on the nameplate, use the preset value.

FU2-64: Pre-excitation Time

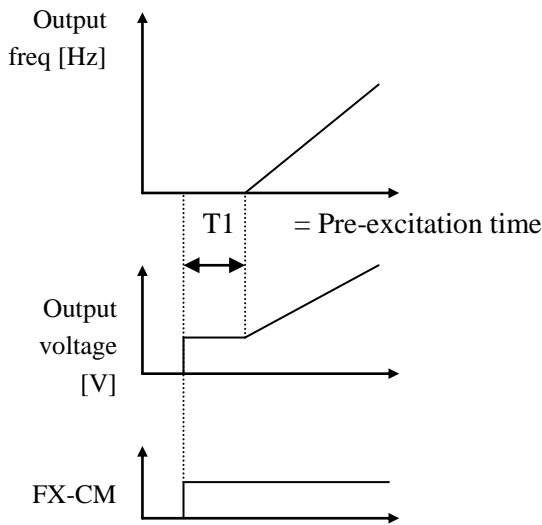
FU2▶ PreExTime	64	1.0
64 1.0 sec		

Factory Default: 1.0 sec	1.0
--------------------------	------------

When the operation command (FWD, REV) is issued, the inverter conducts pre-exciting automatically for the time specified by this parameter.

After FU2-64 [Pre-excitation Time] elapses the inverter starts normal operation shown in the following graph.

Code	LCD display	Default	Setting range
FU2-64	PreExTime	1 [sec]	0 ~ 60 [sec]



FU2-67: Manual/Auto Boost Selection
FU2-68: Torque Boost in Forward Direction
FU2-69: Torque Boost in Reverse Direction

FU2▶ Torque boost 67 Manual	67	0
--------------------------------	-----------	----------

Factory Default: Manual	0
-------------------------	----------

FU2▶ Fwd boost 68 2.0 %	68	2.0
----------------------------	-----------	------------

Factory Default: 2.0 %	2.0
------------------------	------------

FU2▶ Rev boost 69 2.0 %	69	2.0
----------------------------	-----------	------------

Factory Default: 2.0 %	2.0
------------------------	------------

This function is used to increase the starting torque at low speed by increasing the output voltage of the inverter. If the boost value is set too high than required, it may cause the motor flux to saturate, causing over-current trip. Increase the boost value when there is excessive distance between inverter and motor.

[Manual Torque Boost]

When FU2-67 [Manual/Auto torque boost select] is set to “Manual”, FU2-68 [Forward torque boost] and FU2-69 [Reverse torque boost] set values are applied.

FU2-68 [Forward torque boost] is used for Forward rotation and FU2-69 [Reverse torque boost] is used

for Reverse rotation.

Code	LCD display	Default	Setting range
FU2-67	Torque boost	Manual	Manual/Auto
FU2-68	Fwd boost	2.0 [%]	0~15 [%]
FU2-69	Rev boost	2.0 [%]	0~15 [%]

Note: The torque boost value is to be set as the percentage of inverter rated voltage.

Note: When FU1-40 [Volts/Hz Pattern] is set to ‘User V/F’, FU2-67~69 [Torque boost] is ignored.

Caution: Do not set the torque boost too high. Otherwise, motor may be over-magnetized.

Caution: Increase this value when torque shortage happens or inverter-motor wiring is distant. If this value is set too high, Overcurrent trip may be triggered.

Caution: It is possible to occur No Motor Trip in case that the torque boost value is 0 when DC Start is operated.

Caution: Output voltage can be limited to restrict the over-current which is occurred by the changes (On/Off) of output relay when output current of inverter is lower than no-load current.

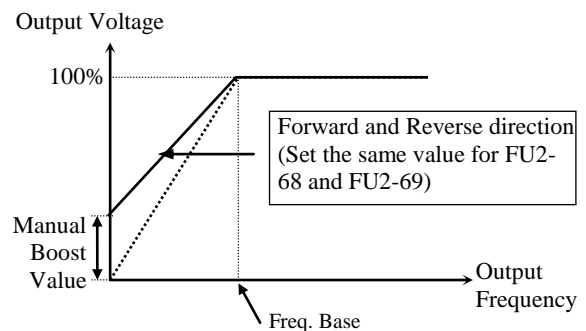
[Auto Torque Boost]

When FU2-67 [Manual/Auto torque boost select] is set to “Auto”, inverter outputs high starting torque by automatic boosting according to the load characteristic.

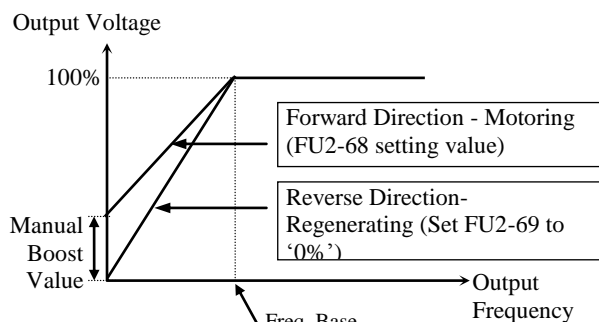
Caution: Auto torque boost is only applied to the 1st motor. Only Manual torque boost is available for the 2nd motor.

Caution: Auto torque boost is not available when FU2-60 [Control Mode] is set to ‘Sensorless’.

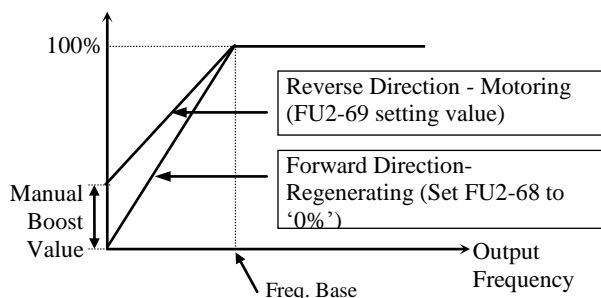
Caution: Conduct Auto tuning in FU2-61 [Auto tuning] first to use Auto torque boost effectively.



[Constant Torque Loads: Conveyor, Moving Equip. etc.]



[Ascending and Descending Loads: Parking, Hoist etc.]



[Ascending and Descending Loads: Parking, Hoist etc.]

Related Functions: FU1-40 [Volts/Hz Pattern]
FU2-60 [Control Mode selection]

FU2-80: Power On Display

FU2▶ PowerOn disp
80 0 **80** **0**

Factory Default: 0 **0**

This code selects the parameter to be displayed first on keypad (DRV-00) when the power is turned on.

Setting Range	Description
0	DRV-00 [Command Frequency]
1	DRV-01 [Acceleration Time]
2	DRV-02 [Deceleration Time]
3	DRV-03 [Drive Mode]
4	DRV-04 [Frequency Mode]
5	DRV-05 [Step Frequency 1]
6	DRV-06 [Step Frequency 2]
7	DRV-07 [Step Frequency 3]
8	DRV-08 [Output Current]
9	DRV-09 [Motor Speed]
10	DRV-10 [DC link Voltage]
11	DRV-11 [User Display selected in FU2-73]
12	DRV-12 [Fault Display]

FU2-81: User display selection

FU2▶ User Disp
81 Voltage **81** **0**

Factory Default: 0 **0**

Related Function: DRV-11 [User display selection]
Select the display as shown below.

Setting	FU2-81	Name	Description
0	Voltage	Output voltage	Display output voltage of the inverter (Factory setting)
1	Watt	Output power	Display output power of the inverter

Note: The displayed value of “Watt” is approximate value.

FU2-82: Software Version

FU2▶ S/W Version
82 Ver X.X **82** **X.X**

Factory Default: Ver. X.X **X.X**

Displays the software version. This will vary depending on software version integrated.

FU2-83, 84, 85: Last Trip Time, On-time, Run-time

FU2▶ LastTripTime
83 0:00:00:00:00 **83** **00.00**

Factory Default: 0:00:00:00:00 **00.00**

Displays time elapsed after last trip occurs.
Note: it is reset automatically upon trip occurs.

FU2▶ On-time
84 0:00:00:00:00 **84** **00.00**

Factory Default: 0:00:00:00:00 **00.00**

Displays time after Power is turned ON.
Note: it is not reset automatically.

FU2▶ Run-time
85 0:00:00:00:00 **85** **00.00**

Factory Default: 0:00:00:00:00 **00.00**

Displays time for inverter to be run.

Note: it is not reset automatically.
 FU2-83~85 display → X : XX : XX : XX : XX
 (Year:Month:Day:Hour:Minute)

FU2-87: PowerSet

FU2▶ PowerSet
 87 100 **87** **100**

Factory Default: 100% **100**

Used to adjust the current inverter output power and FU1-54 [KiloWattHour].
 Setting Range: 0.1 ~ 400%

FU2-90: Parameter Display

FU2▶ Para. disp
 90 Default **90** **1**

Factory Default: Default **1**

It is used to change the parameters to be viewed.

No	FU2-90 Set data	Description
0	Default	Displays basic parameters. (factory default)
1	All Para	Displays all parameters.
2	Diff Para	Displays parameters set differently from factory setting.

FU2-91: Parameter Read
FU2-92: Parameter Write

FU2▶ Para. read
 91 --- No ---

Factory Default: No

FU2▶ Para. write
 92 --- No ---

Factory Default: No

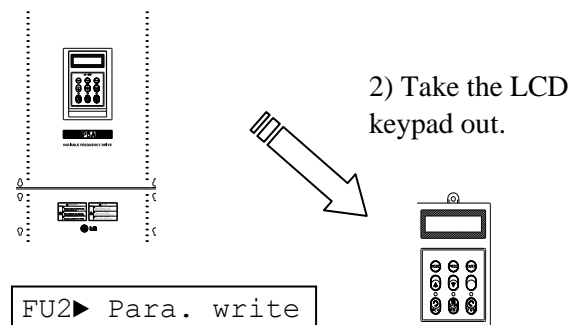
This is useful for programming multiple inverters to have same parameter settings. The LCD keypad can read (upload) the parameter settings from the inverter memory and can write (download) them to other inverters. This function is only available with LCD keypad.

Note: When FU2-91, 92 is used, motor parameters such as FU2-40~46, FU2-62~63 will be initialized.
 Perform Auto-tuning first before using Sensorless mode.

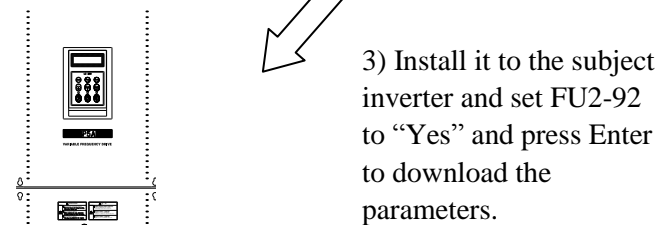
Note: Perform FU2-95 [Parameter save] first before FU2-91 [Parameter Read].

1) Set FU2-91 to “Yes” and press Enter key to read the parameters.

FU2▶ Para. read
 91 --- Yes ---



FU2▶ Para. write
 92 --- Yes ---



FU2-93: Parameter Initialize

FU2▶ Para. init
 93 No **93** **0**

Factory Default: No **0**

This is used to initialize parameters back to the factory default values. Each parameter group can be initialized separately.

Note: Set FU2-40~46 [Motor parameters] again after this function.

Note: Parameter initialize cannot clear trip information. Instead, use FU2-06 [Erase trips].

Setting Range	Description
No	Displayed after initializing is finished. (Factory Default)
All Groups	All parameter groups initialized to factory default value.
DRV	Only Drive group initialized.
FU1	Only Function 1 group initialized.
FU2	Only Function 2 group initialized.
I/O	Only Input/Output group initialized.
EXT	Only External group initialized.
COM	Only Communication group initialized.
APP	Only Application group initialized.

FU2-94: Parameter Lock

FU2▶ Para. lock 94 0	94	0
Factory Default: 0		0

This function is used to lock the parameters from being changed. When the parameters are locked, the display arrow changes from solid to dashed line. The lock and unlock code is '12'.

FU2-95: Parameter Save (Manual Save)

FU2▶ Para. save 95 No	95	0
Factory Default: 0		0

When FU2-95 is set to “Yes”, the changed parameter value is saved into memory.

6.4 Input/Output Group [I/O]

I/O-00: Jump to Desired Code

I/O▶ Jump code
00 1

Factory Default: 1

Jumping directly to any parameter code can be accomplished by entering the desired code number. This code is available only with LCD keypad.

I/O-01 ~ I/O-05: Analog Voltage Input (V1) Signal Adjustment

This is used to adjust the analog voltage input signal when the frequency is referenced by the control terminal 'V1'. This function is applied when DRV-04 is set to 'V1', 'V1S', or 'V1+I'. User-selected Unit appears in [**]. To change the unit, more than one in APP-02 [PID operation selection] and APP-80 [Ext. PID operation selection] is set to "Yes" and then select the desired unit Percent, Bar, mBar, kPa, and Pa among in I/O-86 [V1 user unit selection].

Code	Factory Default	Setting Range
I/O-01	10 [msec]	0~9999 [msec]
I/O-02	0 [V]	0 ~ 12 [V]
I/O-03	0 [Hz]	0 ~ Max Freq
	0 [**]	0 ~ 100.00 [**]
I/O-04	10 [V]	0 ~ 12 [V]
I/O-05	60 [Hz]	0 ~ Max Freq
	0 [**]	0 ~ 100.00 [**]

I/O▶ V1 filter
01 10 ms

Factory Default: 10 ms **10**

This is the filtering time constant for V1 signal input among frequency reference input. Increase this value if the V1 signal is affected by noise causing unstable operation of the inverter. Increasing this value makes response time slower.

I/O▶ V1 volt x1
02 0.00 v

Factory Default: 0.00 v **0.00**

This is the minimum voltage of the V1 input at

which inverter outputs minimum frequency.

I/O▶ V1 freq y1
03 0.00 Hz **03** **0.00**

Factory Default: 0.00 Hz **0.00**

This is the inverter output minimum frequency (or target value) when there is the minimum voltage (I/O-02) on the V1 terminal.

I/O▶ V1 volt x2
04 0.00 v **04** **10.00**

Factory Default: 10.00 v **10.00**

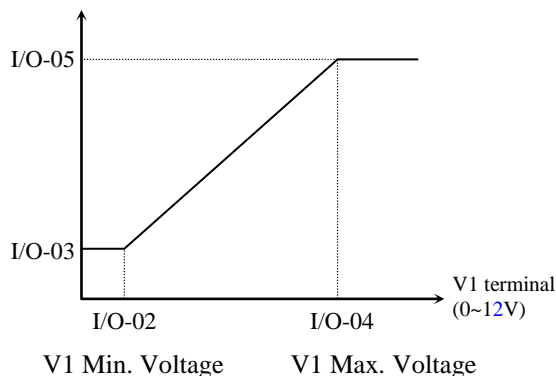
This is the maximum voltage of the V1 input at which inverter outputs maximum frequency.

I/O▶ V1 freq y2
05 60.00 Hz **05** **60.00**

Factory Default: 60.00 Hz **60.00**

This is the inverter output maximum frequency (or target value) when there is the maximum voltage (I/O-03) on the V1 terminal.

Reference Frequency



[Reference Frequency vs Analog Voltage Input (0 to 12V)]

I/O-06 ~ I/O-10: Analog Current Input (I) Signal Adjustment

This is used to adjust the analog current input signal when the terminal 'I' references the frequency. This function is applied when DRV-04 is set to 'I', or 'V1+I'. User-selected Unit appears in [**]. To change the unit, more than one in APP-02 [PID operation selection] and APP-80 [Ext. PID operation selection] is set to "Yes" and then select

the desired unit Percent, Bar, mBar, kPa, and Pa among in I/O-87 [I user unit selection].

Code	Default	Setting
I/O-06	10 [msec]	0 ~ 9999 [msec]
I/O-07	4 [mA]	0 ~ 20 [mA]
I/O-08	0 [Hz]	0 ~ Max freq
	0 [**]	0~100.00[**]
I/O-09	20[mA]	0 ~ 20 [mA]
I/O-10	60[Hz]	0 ~ Max freq
	0 [**]	0~100.00[**]

I/O▶ I filter 06 10 ms	06	10
---------------------------	-----------	-----------

Factory Default: 10 ms **10**

This is the filtering time constant for 'I' signal input. If the 'I' signal is affected by noise causing unstable operation of the inverter, increase this value. Increasing this value makes response time slower.

I/O▶ I curr x1 07 4.00 mA	07	4.00
------------------------------	-----------	-------------

Factory Default: 4.00 mA **4.00**

This is the minimum current of the 'I' input at which inverter outputs minimum frequency.

I/O▶ I freq y1 08 0.00 Hz	08	0.00
------------------------------	-----------	-------------

Factory Default: 0.00 Hz **0.00**

This is the inverter output minimum frequency (or target value) when there is minimum current (I/O-07) input on the 'I' terminal.

I/O▶ I curr x2 09 20.00 mA	09	20.00
-------------------------------	-----------	--------------

Factory Default: 20.00 mA **20.00**

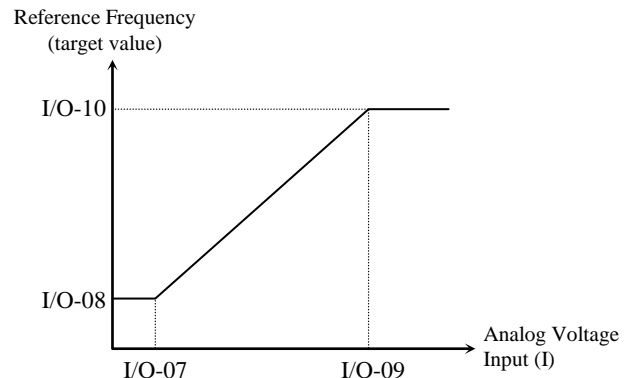
This is the maximum current of the 'I' input at which inverter outputs maximum frequency.

I/O▶ I freq y2 10 60.00 Hz	10	60.00
-------------------------------	-----------	--------------

Factory Default: 60.00 Hz **60.00**

I/O▶ I freq y2 10 60.00 Hz	10	60.00
-------------------------------	-----------	--------------

This is the inverter output maximum frequency (or target value) when there is the maximum current input (I/O-09) on the 'I' terminal.



I Min. Current I Max. Current
[Reference Frequency vs Analog Current Input (0 to 20mA)]

I/O-11~16: Frequency command setting via pulse (A0/B0)

I/O▶ P pulse set 11 (A)	11	1
----------------------------	-----------	----------

Factory Default: (A) **1**

I/O▶ P filter 12 10 msec	12	10
-----------------------------	-----------	-----------

Factory Default: 10 msec **10**

-
-
-

I/O▶ P pulse x2 15 10.00 KHz	15	10
---------------------------------	-----------	-----------

Factory Default: 10.0 KHz **10.0**

I/O▶ P pulse y2 16 60.00 Hz	16	60.00
--------------------------------	-----------	--------------

Factory Default: 60.00 Hz **60.00**

Set the frequency command from high-level controller or motor encoder signal by input terminal A0 or B0. It is settable when DRV-04 [Frequency mode] is set to "Pulse".

User-selected Unit appears in [**]. To change the unit, more than one in APP-02 [PID operation

selection] and APP-80 [Ext. PID operation selection] is set to “Yes” and then select the desired unit Percent, Bar, mBar, kPa, and Pa among in I/O-88 [Pulse Input user unit selection].

Code	Factory setting	Setting range
I/O-11	(A)	(A), (A)+(B)
I/O-12	10 [msec]	0 ~ 9999 [msec]
I/O-13	0 [KHz]	0 ~ 10 [KHz]
I/O-14	0 [Hz]	0 ~ Max frequency
	0 [**]	0 ~ 100.00[**]
I/O-15	10 [KHz]	10 ~ 100 [KHz]
I/O-16	60 [Hz]	0 ~ Max frequency
	0 [**]	0 ~ 100.00[**]

Note: Do not apply pulse to both A0, B0 terminals when I/O-12 set value is A.

Pulse information
5.5~30kW

T/N	Default	Setting range
A0 or B0	Pulse Input	High: +3~+5V Max Low: +2V Max Max Input Freq.: 100KHz

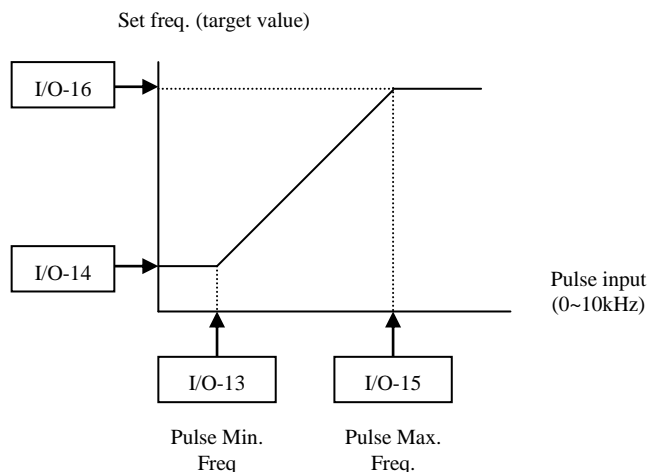
37~450kW

T/N	Default	Setting range
A0 or B0	Pulse Input	High: +12~+15V Max Low: +2.5V Max Max Input Freq.: 100KHz

via motor encoder, set the value for encoder pulse as the following;

EX) To give 60Hz (1800 rpm) command from 1000 Pulse encoder

I/O-15 [Max Freq of P Pulse Input]=Rated rpm/60 sec * Number of Encoder Pulse
= 1800 [rpm]/60[sec]*1000=3000Hz,
Therefore, set I/O-15 to 3.0KHz



I/O-17, 18, 19: Criteria for Analog Input Signal Loss

Code	LCD Display	Description
I/O-11	P Pulse Set	Set one of the frequency setting input method either A or A+B.
I/O-12	P filter	Set the embedded filter constant for P Pulse input.
I/O-13	P Pulse x1	Set the Minimum frequency for P Pulse input.
I/O-14	P freq y1	Set the output frequency corresponding to P Pulse input minimum frequency (I/O-13).
	P [**] y1	Set the target value corresponding to P Pulse input minimum frequency (I/O-13)
I/O-15	P Pulse x2	Set the Maximum frequency for P Pulse input.
I/O-16	P freq y2	Set the output frequency corresponding to P Pulse input Maximum frequency (I/O-15).
	P [**] y2	Set the target value corresponding to P Pulse input maximum frequency (I/O-15)

I/O▶ Wire broken 17 None	17	0
Factory Default: None		0
I/O▶ Lost command 18 None	18	0
Factory Default: None		0
I/O▶ Time out 19 1.0 sec	19	1.0
Factory Default: 1.0 sec		1.0

Note: Increase filter time constant when the noise interference deteriorates stable operation. Increasing that makes response time slower.
Note: When setting P Pulse Input Min/Max Freq.

This is to set the criteria for analog input signal loss when DRV-04 [Frequency Mode] is set to ‘V1’, ‘V1S’ ‘I’, ‘V1+I’ or ‘Pulse’. Analog input loss will be applied according to the I-O-17 setting [wire broken]. However, for “V1+I”, main speed is V1 so inverter does not respond when I signal is missing. Following table shows the setting value.

Setting Range	Description
None	Disabled. (Factory Default)
half of x1	The inverter determines that the frequency reference is lost when the analog input signal is less than half of the minimum set value (I/O-02, I/O-07, I/O-13).
below x1	The inverter determines that the frequency reference is lost when the analog input signal is less than the minimum set value (I/O-02 or I/O-07, I/O-13).

I/O-18 [Lost Command] selects the operation after determining the loss of frequency reference. The following table shows the selection in I/O-18.

Setting Range	Description
None	Continuous operating after loss of frequency reference.
FreeRun	Inverter cuts off its output after determining loss of frequency reference.
Stop	Inverter stops by its Decel pattern and Decel time after determining loss of frequency reference.
Protection	'Lost Cmd Trip' will be occurred when the frequency command is lost.
Preset	Inverter run at the preset frequency set in I/O-99, when the frequency command is lost.

When the analog input signal is lost, inverter displays the following table.

Setting Range	Description
LOV	Loss of analog input signal, V1
LOI	Loss of analog input signal, I
LOA	Loss of pulse reference frequency

I/O-19 [Time out] sets the waiting time before determining the loss of reference signal. Inverter waits to determine the loss of a reference signal until time-out.

Code	Factory setting	Setting range
I/O-19	1.0 [sec]	0.1 ~ 120 [sec]

Reference frequency can be viewed as Rpm when DRV-16 [Hz/Rpm Display] is set to "rpm".

I/O-20~27: Programmable Digital Input Terminal 'M1, M2, M3', 'M4', 'M5', 'M6', 'M7', 'M8' Define

I/O▶ M1 define 20 Speed-L	20	0
Factory Default: Speed-L		0

I/O▶ M2 define 21 Speed-M	21	1
Factory Default: Speed-M		1

I/O▶ M3 define 22 Speed-H	22	2
Factory Default: Speed-H		2

Programmable Digital input terminals can be defined for many different applications. The following table shows the various definitions for them.

Code	LCD display	Default	Setting
I/O-20	M1 define	SPEED-L	See the table below
I/O-21	M2 define	SPEED-M	
I/O-22	M3 define	SPEED-H	
I/O-23	M4 define	Reset	
I/O-24	M5 define	BX	
I/O-25	M6 define	JOG	
I/O-26	M7 define	FX	
I/O-27	M8 define	RX	

Note: BX is Emergency Stop key. Parameter setting is disabled when BX is ON.

Selection of M1, M2, M3 M4, M5, M6, M7, M8 in I/O-20~27

Setting Range	Description
Speed-L	Multi-step speed - Low
Speed-M	Multi-step speed - Mid
Speed-H	Multi-step speed - High
XCEL-L	Multi-accel/decel - Low
XCEL-M	Multi-accel/decel - Mid
XCEL-H	Multi-accel/decel - High
Dc-brake	DC injection braking during stop
2nd Func	Exchange to 2 nd functions
Exchange	Exchange to commercial line
-Reserved-	Reserved for future use
Up	Up drive
Down	Down drive
3-Wire	3 wire operation
Ext Trip	External trip

Setting Range	Description
-Reserved-	Reserved for future use
iTerm Clear	Used for PID control
Open-loop	Exchange between PID mode and V/F mode
LOC/REM	Exchange the operation method
Analog hold	Hold the analog command frequency input signal
XCEL stop	Disable Accel and Decel
P Gain2	Used for PID P2 gain control
-Reserved-	Reserved for future use
Interlock1	Used for MMC operation
Interlock2	
Interlock3	
Interlock4	
Speed-X	Additional Step frequency selection
Reset	Reset
BX	BX (Emergency stop)
JOG	Jog
FX	Forward Run/Stop
RX	Reverse Run/Stop
Ana Change	Analog input Switch-over
Pre excite	Pre excitation.
Ext.PID Run	External PID Run/Stop
Up/Dn Clr	Clear Up/Down save

[Speed-L, Speed-M, Speed-H, Speed-X]

By setting M1, M2, M3 terminals to 'Speed-L', 'Speed-M' and 'Speed-H' respectively, inverter can operate at the preset frequency set in DRV-05 ~ DRV-07 and I/O-20 ~ I/O-27, I/O-30~IO/42 [Multi-step operation].

[XCEL-L, XCEL-M, XCEL-H]

By setting M1, M2 and M3 terminals to 'XCEL-L', 'XCEL-M' and 'XCEL-H' respectively, up to 8 different Accel and Decel times can be used. The Accel/Decel time is set in DRV-01 ~ DRV-02 and I/O-50 ~ I/O-63.

[Dc-brake]

DC Injection Braking can be activated during inverter stop by configuring one of the Programmable digital input terminals (M1-M8) to 'Dc-brake'. The preset DC-start value in FU1-22 is applied. To activate the DC Injection Braking, close the contact of the assigned terminal while the inverter is stopped.

[2nd function]

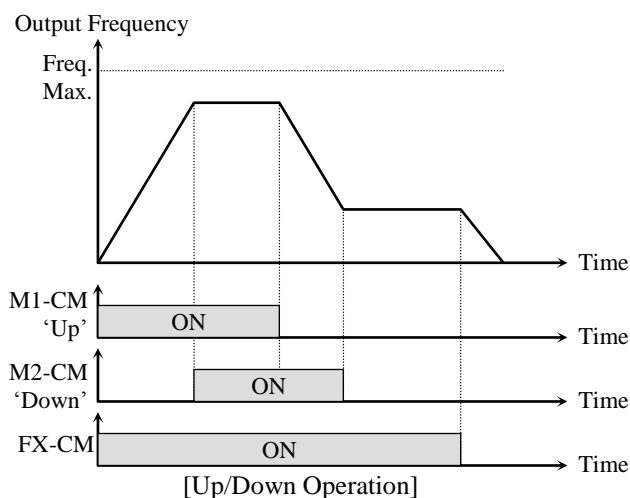
2nd function can be activated during inverter stop by configuring one of the Programmable digital input terminals (M1-M8) to '2nd func'. See APP 20~29 for details.

[EXCHANGE]

Exchange is used to bypass the motor from the inverter line to commercial power or the opposite. To bypass the motor to commercial line, set the 'Exchange' function in one of the Programmable digital input terminal in I/O-20~27 and 'INV line', 'COMM line' function in Programmable digital output terminal (AX-CX) in I/O-76~79.

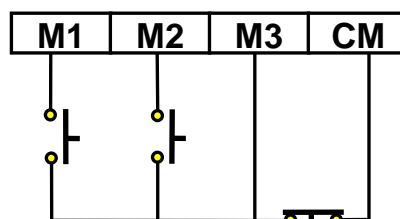
[Up, Down]

By using the Up and Down function, the drive can accelerate to a steady speed and decelerate down to a desired speed by using only two input terminals. Setting limit is Maximum frequency.

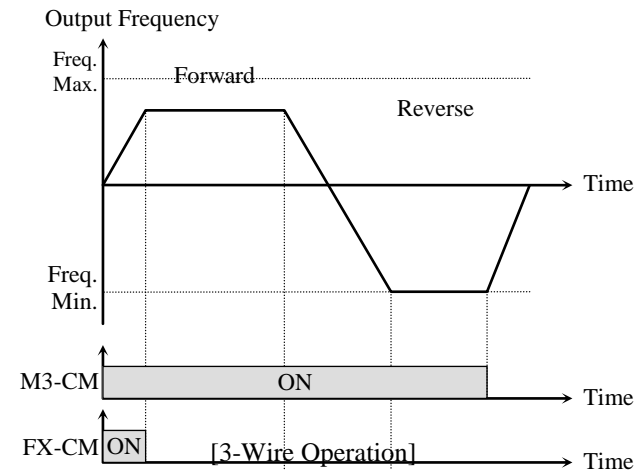


[3-Wire]

This function is for 3-wire start/stop control. This function is mainly used with a momentary push button to hold the current frequency output during acceleration or deceleration. (Ex. Set M1 terminal to FX, M2 terminal to RX, M3 terminal to 3-Wire.)



[Wiring for 3-Wire Operation, M3 set to '3-Wire']



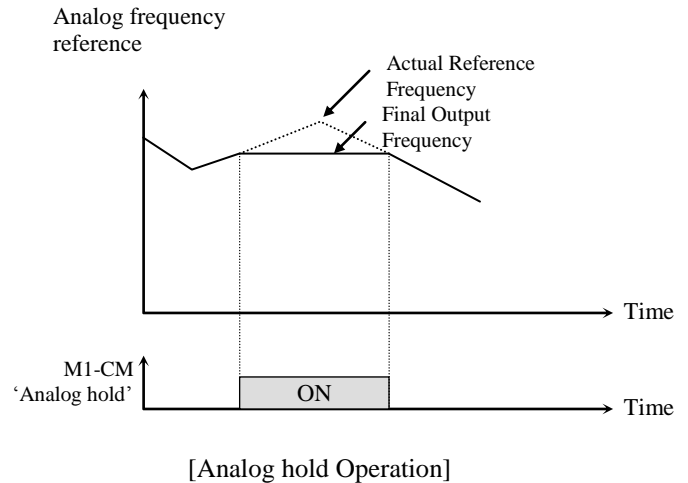
[Ext Trip]
 This is a normally open contact input. When a terminal set to 'Ext Trip' is ON, inverter cuts off its output and displays the fault. This can be used as an external latch trip. The logic is programmable in I/O-94 [Normal Open/Normal Close select].

[iTerm Clear]
 This function is used for PID control. When this terminal is ON, the accumulated value by I-Gain is set to '0'. Refer to PID Control Block Diagram.

[Open-loop]
 This is used to exchange the control mode of inverter from PID mode (Close Loop) to V/F mode (Open Loop).
 DRV-03 [Drive Mode] and DRV-04 [Frequency Mode] are applied when the mode has been changed.
Note: Only used when the inverter is stopped.

[LOC/REM]
 When an option board or embedded RS485 communication is used for the frequency setting and the run/stop command setting, and the setting is ON, the inverter operation can be changed to Option (or RS485) operation without changing parameters.
 When 'LOC/REM' is inputted, it operates according to DRV-22[LocalRemKey].
 Please refer to details for DRV-22 function.

[Analog hold]
 When there is an analog input signal for frequency reference and 'Analog hold' terminal is ON, inverter fixes its output frequency regardless of the frequency reference. When the terminal is OFF, the actual frequency reference will be applied. This function is useful when a system requires constant speed after acceleration or freq reference is not necessary to be changed.



[XCEL stop]
 Inverter stops accelerating and decelerating when this terminal is ON.

[P Gain 2]
 This function is used to change P-Gain during PID operation. When this terminal is ON, PID controller changes P-Gain to PID P2-Gain.
 Refer to PID Control Block Diagram.

[Interlock 1, 2, 3, 4]
 This function is used for MMC operation. When MMC is selected in APP-01 and interlock is set, M1, M2, M3 and M4 are automatically assigned for Interlock function. Therefore, these terminals cannot be used for setting other functions when interlock is active. Use M5, M6, M7, and M8 for other function setting. Refer to MMC operation.

[Reset]
 This function is set to use it as fault reset terminal when ON.

[BX]
 This function is set to use it as Emergency Stop terminal when ON.

[JOG]

This function is set to use Jog operation terminal when ON.

[FX/RX]

This function is set to issue Forward/Reverse Run.

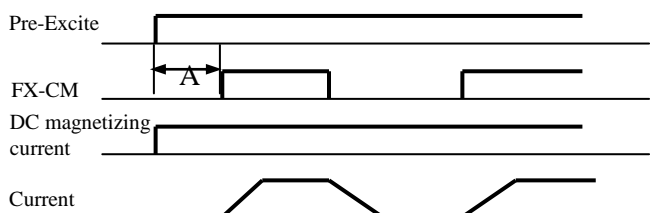
[Ana Change]

Inverter changes its frequency reference source from V1 to I when ON.

Ex) In the case of V1+I operation, V1 is the default setting and it is changed to I operation when the terminal is turned ON.

[Pre excite]

This setting switches the inverter to pre-excitation state. This function applies the DC magnetizing current to a motor to build the flux in Sensorless control. When the operation command is set to ON, the state changes from pre-excitation to normal.



A: Pre-exciting

[Ext.PID Run]

External PID controller begins operation when the defined terminal is turned ON. This can be operated regardless of inverter reference command or used in conjunction with internal PID operation. Refer to External PID operation for details

[Up/Dn Clr (Clear Up/Down save)]

This function is used for Reset (Clear) the saved frequency when FU1-80 (Up/Dn save) is set.

I/O-28: Terminal Input Status

I/O▶ In status	28	0000
28 000000000000		

Factory Default: 000000000000 **0000**

This code displays the input status of control terminals M1-M8, P4-P6. P4, P5, P6 will be only displayed and used when the sub-board is installed.

[LCD Keypad Display]

Input T/M	P6	P5	P4	M8	M7	M6	M5	M4	M3	M2	M1
	10 bit	9 bit	8 bit	7 bit	6 bit	5 bit	4 bit	3 bit	2 bit	1 bit	0 bit
OFF status	0	0	0	0	0	0	0	0	0	0	0
ON status	1	1	1	1	1	1	1	1	1	1	1

I/O-29: Programmable Digital Input Terminal filter time constant

I/O▶ Ti Filt Num	29	15
29 15 ms		

Factory Default: 15 ms **15**

Set the responsiveness of input terminals M1-M8 and P4-P6. It is effective when noise level is high. Increasing this will make response time slower and decreasing faster.

Code	LCD display	Default	Setting range
I/O-29	Ti Filt Num	15 [ms]	2~1000 [ms]

Note: Set it higher than 100msec at Inverter-commercial line exchange operation. This will be useful to prevent chattering and momentary malfunction.

I/O-30: Jog Frequency

I/O▶ Jog freq	30	10.00
30 10.00 Hz		

Factory Default: 10.00 Hz **10.00**

This code sets the jog frequency. See I/O-31~42, DRV-05~ 07 for details.

I/O-31~42: Step Frequency 4, 5, 6, 7, 8, 9, 10, 11, 12, 13, 14, 15

I/O▶ Step freq-4	31	40.00
31 40.00 Hz		

Factory Default: 40.00 Hz **40.00**

I/O▶ Step freq-5	32	50.00
32 50.00 Hz		

Factory Default: 50.00 Hz **50.00**

Chapter 6 - Parameter Description [I/O]

The step frequencies are determined by the combination of M1, M2 and M3 terminals as shown in the following table.

Code	Step speed Frequency	Spd-X	Spd-H	Spd-M	Spd-L	JOG
DRV-00	S. Freq-0 (Zero Spd)	0	0	0	0	0
I/O-30	Jog Freq	X	X	X	X	1
DRV-05	S. Freq-1 (Spd 1)	0	0	0	1	0
DRV-06	S. Freq-2 (Spd 2)	0	0	1	0	0
DRV-07	S. Freq-3 (Spd-3)	0	0	1	1	0
I/O-31	S. Freq-4 (Spd-4)	0	1	0	0	0
I/O-32	S. Freq-5 (Spd-5)	0	1	0	1	0
I/O-33	S. Freq-6 (Spd-6)	0	1	1	0	0
I/O-34	S. Freq-7 (Spd-7)	0	1	1	1	0
I/O-35	S. Freq-8 (Spd-8)	1	0	0	0	0
I/O-36	S. Freq-9 (Spd-9)	1	0	0	1	0
I/O-37	S. Freq-10 (Spd-10)	1	0	1	0	0
I/O-38	S. Freq-11 (Spd-11)	1	0	1	1	0
I/O-39	S. Freq-12 (Spd-12)	1	1	0	0	0
I/O-40	S. Freq-13 (Spd-13)	1	1	0	1	0
I/O-41	S. Freq-14 (Spd-14)	1	1	1	0	0
I/O-42	S. Freq-15 (Spd-15)	1	1	1	1	0

0: OFF, 1: ON, X: Ignored (Jog first)

Speed-L: Lowest bit in Multi-Step speed input

Speed-M: Middle bit in Multi-Step speed input

Speed-H: High bit in Multi-Step speed input

Speed-X: Highest bit in Multi-Step speed input

Note 1: 'Speed 0' is set in DRV-04.

Note 2: If the 'Jog' terminal is ON, inverter operates at Jog frequency regardless of other terminal inputs.

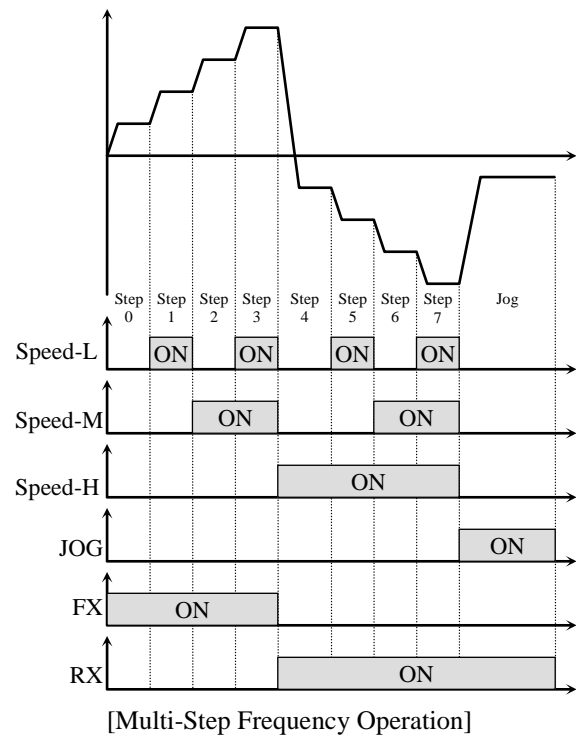
DRV-04 Data	DRV-00 Speed 0	Freq source
Keypad-1	Digital Freq Ref	Keypad
Keypad-2	Digital Freq Ref	Keypad
V1	Analog Freq Ref.	Terminal
V1S	Analog Freq Ref.	Terminal
I	Analog Freq Ref.	Terminal
V1+I	Analog Freq Ref.	Terminal
Pulse	Pulse Freq Ref.	Terminal
Int. 485	Communication	Terminal
Ext. PID	Ext. PID Freq Ref.	Keypad or Terminal

♣ Setting example

M1=Speed-L, M2=Speed-M, M3=Speed-H,
M4=Jog

M5=BX, M7=FX, M8=RX

Step speed is to be set in DRV-05~06, I/O-31~42



I/O-50~63: 1st~7th Accel/Decel Time

I/O▶ Acc time-1	50	20.0
50 20.0 sec		

Factory Default:	20.0 sec	20.0
------------------	----------	------

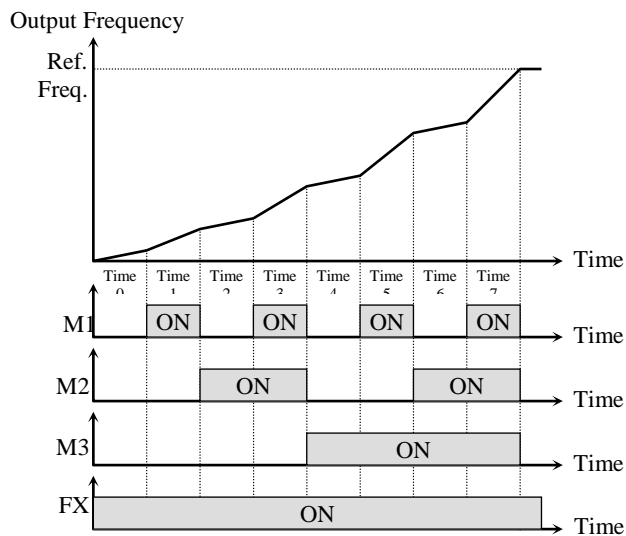
I/O▶ Dec time-1	51	20.0
51 20.0 sec		

Factory Default:	20.0 sec	20.0
------------------	----------	------

The Accel/Decel time is determined by the combination of M1, M2 and M3 terminals as shown in the following table.

Parameter Code	Accel/Decel Time	XCEL -H (M3)	XCEL -M (M2)	XCEL -L (M1)	Factory default
DRV-01	Accel Time-0	0	0	0	10 sec
DRV-02	Decel Time-0				20 sec
I/O-50	Accel Time-1	0	0	1	20 sec
I/O-51	Decel Time-1				20 sec
I/O-52	Accel Time-2	0	1	0	30 sec
I/O-53	Decel Time-2				30 sec
I/O-54	Accel Time-3	0	1	1	40 sec
I/O-55	Decel Time-3				40 sec
I/O-56	Accel Time-4	1	0	0	50 sec
I/O-57	Decel Time-4				50 sec
I/O-58	Accel Time-5	1	0	1	40 sec
I/O-59	Decel Time-5				40 sec
I/O-60	Accel Time-6	1	1	0	30 sec
I/O-61	Decel Time-6				30 sec
I/O-62	Accel Time-7	1	1	1	20 sec
I/O-63	Decel Time-7				20 sec

0: OFF, 1: ON



[Multi-Accel/Decel Time Operation]

I/O-70~73: S0, S1 terminal select

I/O▶ S0 mode
70 Frequency **70** **0**

Factory Default: Frequency **0**

I/O▶ S0 adjust
71 100 % **71** **100**

Factory Default: 100 % **100**

I/O▶ S1 mode
72 Voltage **72** **0**

Factory Default: Voltage **2**

I/O▶ S1 adjust
73 100 % **73** **100**

Factory Default: 100 % **100**

Analog meter displays the inverter output Frequency, Current, Voltage, DC link voltage and External PID output with pulse signals on the S0, S1 terminal. The average output voltage range is 0V to 10V for S0 and S1 terminals. I/O-71, 73 are used to adjust the S0, S1 output gain value.

Code	LCD Display	Description	Factory Default	Setting Range
I/O-70	S0 mode	Select S0 terminal	0 (Freq.)	0 (Frequency) 1 (Current) 2 (Voltage) 3 (DC link Vtg) 4 (Ext.PID Out)
I/O-71	S0 adjust	S0 Output Voltage Gain	100 [%]	0 ~ 200 [%]
I/O-72	S1 mode	Select S1 terminal	2 (Vol.)	0 (Frequency) 1 (Current) 2 (Voltage) 3 (DC link Vtg) 4 (Ext.PID Out)
I/O-73	S1 adjust	S1 Output Voltage Gain	100 [%]	0 ~ 200 [%]

[Frequency]

S0/S1 terminal outputs inverter output frequency. The output value is determined by,
 $S0/S1 \text{ Output Voltage} = (\text{Output freq.} / \text{Max. freq.}) \times 10V \times S0,S1 \text{ output gain (IO-71 or 73)} / 100$

[Current]

S0/S1 terminal outputs inverter output current. The output value is determined by,
 $S0/S1 \text{ Output Voltage} = (\text{Output current} / \text{Rated current}) \times 10V \times S0,S1 \text{ output gain (IO-71 or 73)} / 100$

[Voltage]

S0/S1 terminal outputs inverter output voltage. The output value is determined by,
 $S0/S1 \text{ Output Voltage} = (\text{Output voltage} / \text{Max. output voltage}) \times 10V \times S0,S1 \text{ output gain (IO-71 or 73)} / 100$

Note: Maximum output voltage for 200V class is 220V and for 400V class is 440V.

[DC link vtg]

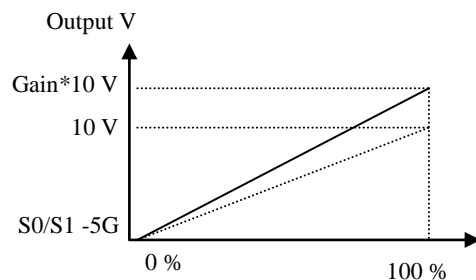
S0/S1 terminal outputs the DC link voltage of inverter. The output value is determined by,
 $S0/S1 \text{ Output Voltage} = (\text{DC link voltage} / \text{Max. DC link voltage}) \times 10V \times S0,S1 \text{ output gain (IO-71 or 73)} / 100$

Note: Maximum DC Link Voltage for 200V class is 410V and for 400V class is 820V.

[Ext.PID Out]

S0/S1 terminal outputs External PID output. The output value is determined by,
 $S0/S1 \text{ output voltage} = (\text{External PID output} / 10,000) \times 10V \times S0,S1 \text{ output gain (I/O-71,73)} / 100$

Please refer to Chapter 2 Specification for rated current of motor.



**I/O-74: FDT (Frequency Detection) Level
I/O-75: FDT Bandwidth**

I/O▶ FDT freq 74	30.00 Hz	74	30.00
---------------------	----------	-----------	--------------

Factory Default: 30.00 Hz **30.00**

I/O▶ FDT band 75	10.00 Hz	75	10.00
---------------------	----------	-----------	--------------

Factory Default: 10.00 Hz **10.00**

These functions are used in I/O-76-79 [Programmable Digital Auxiliary Output Terminal]. See [FDT-#] in I/O-76~79.

Use Sub-Boards if you need to use Programmable Digital output terminal Q1, Q2, and Q3.

I/O-76~79: Programmable Digital Auxiliary Contact Output mode 1, 2, 3, 4 define (AX-CX)

I/O▶ Aux mode1 76	None	76	0
----------------------	------	-----------	----------

Factory Default: None **0**

Code	LCD Display	Description	Factory Default	Setting Range
I/O-76	Aux mode 1	Multi-Aux. contact output 1	None	Refer to below table.
I/O-77	Aux mode 2	Multi-Aux. contact output 2	None	Refer to below table.

Code	LCD Display	Description	Factory Default	Setting Range
I/O-78	Aux mode 3	Multi-Aux. contact output 3	None	Refer to below table.
I/O-79	Aux mode 3	Multi-Aux. contact output 3	None	Refer to below table.

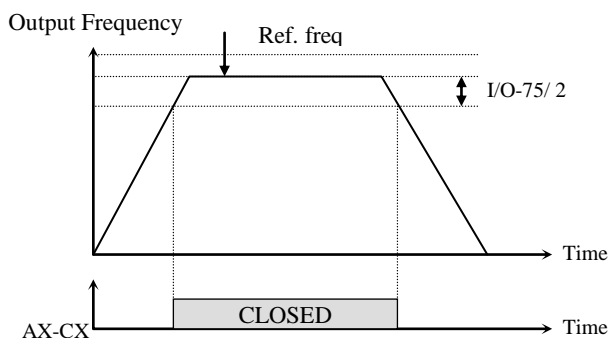
The auxiliary contact works (Close) when the defined condition has occurred.

Setting Range	Description
None	None
FDT-1	Output frequency arrival detection
FDT-2	Specific frequency level detection
FDT-3	Frequency detection with pulse
FDT-4	Frequency detection 1 with contact closure
FDT-5	Frequency detection 2 with contact closure
OL	Overload detection
IOL	Inverter overload detection
Stall	Stalling
OV	Over voltage detection
LV	Low voltage detection
OH	Inverter overheat detection
Lost Command	Lost command detection
Run	Inverter running detection
Stop	Inverter stop detection
Steady	Steady speed detection
INV line	Exchange signal outputs
COMM line	
Speedsearch	Speed search mode detection
Ready	Inverter ready detection
MMC	Used for MMC operation

[FDT-1]

When the output frequency reaches the reference frequency (target frequency), AX-CX terminal is CLOSED.

Detecting Condition: Value (Ref. Freq-Output Freq) <= Freq Detection Bandwidth (I/O-75)/2



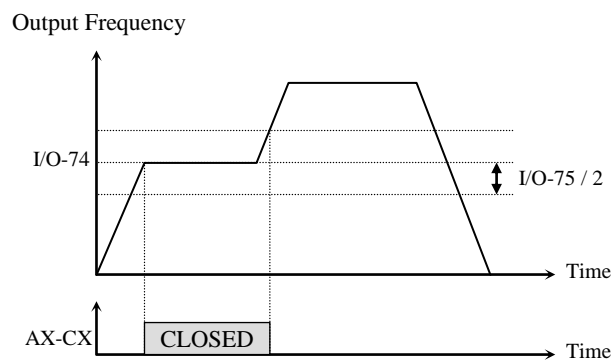
[AX-CX configured as 'FDT-1']

*AX: A1~A4, CX: C1~C4

[FDT-2]

AX-CX is CLOSED when the reference frequency is in I/O-75 [FDT Bandwidth] centered on I/O-74 [FDT Frequency], and the output frequency reaches I/O-75 centered on I/O-74.

Detecting Condition: FDT-1 condition & (Value (Output Freq- Freq Detection) <= Freq Detection Bandwidth (I/O-75)/2)

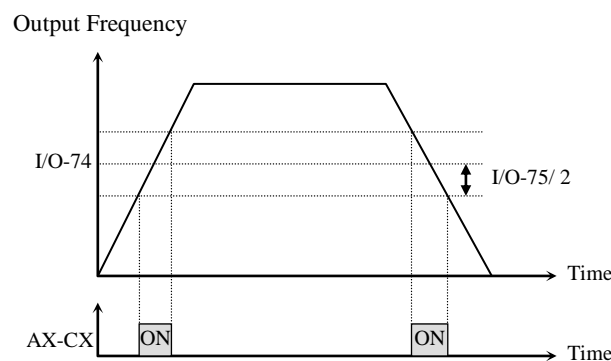


[AX-CX configured as 'FDT-2']

[FDT-3]

AX-CX is CLOSED when the output frequency reaches the band centered on the FDT frequency. The output is OPENED when the output frequency goes outside the FDT bandwidth centered on the FDT frequency.

Detecting Condition: Value (Freq Detection (I/O-74)-Output Freq) <= Freq Detection Bandwidth (I/O-75)/2



[AX-CX configured as 'FDT-3']

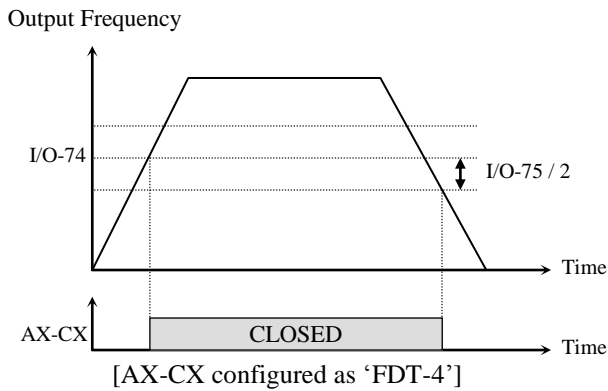
[FDT-4]

AX-CX is CLOSED when the output frequency reaches the FDT frequency. The output is OPENED when the output frequency goes below the FDT bandwidth centered on the FDT frequency.

Detecting Condition:

During Accel: Output freq \geq Freq Detection

During Decel: Output freq $>$ (Freq Detection (I/O-74) - Freq Detection Bandwidth (I/O-75)/2)



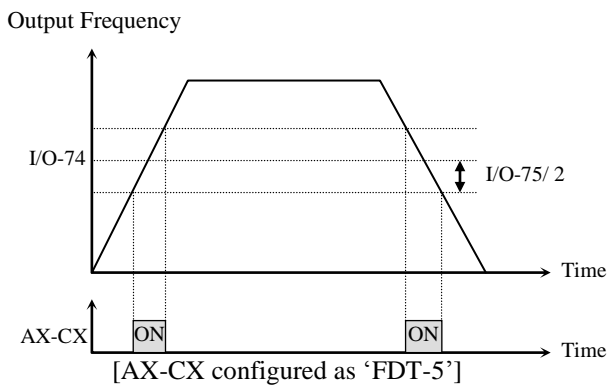
[FDT-5]

This is the inverted output of [FDT-4].

Detecting Condition:

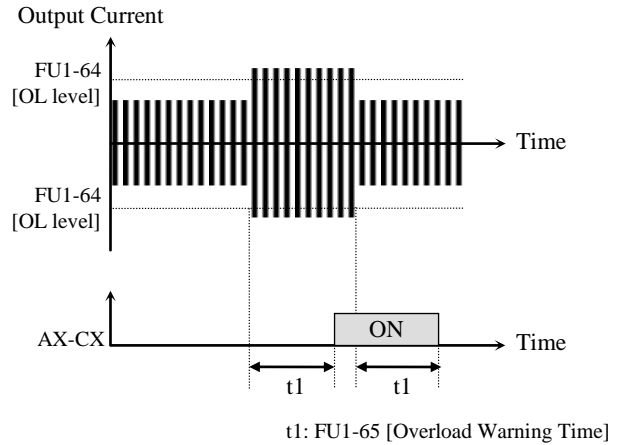
During Accel: Output freq \geq Freq Detection

During Decel: Output freq $>$ (Freq Detection (I/O-74) - Freq Detection Bandwidth (I/O-75)/2)



[OL]

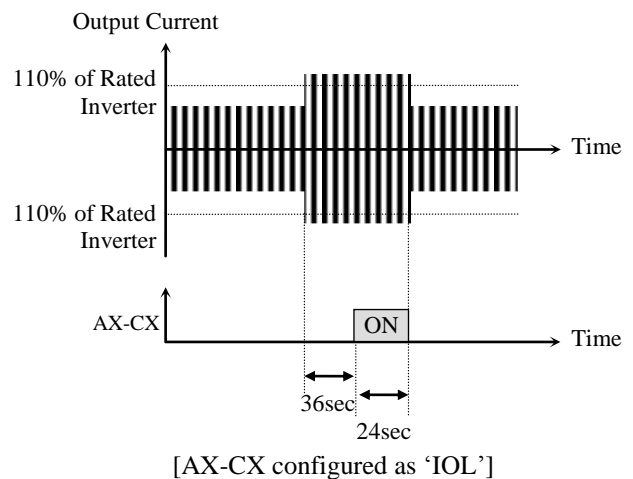
AX-CX is CLOSED when the output current has reached the FU1-64 [Overload Warning Level] for the FU1-65 [Overload Warning Time].



[AX-CX configured as 'OL']

[IOL]

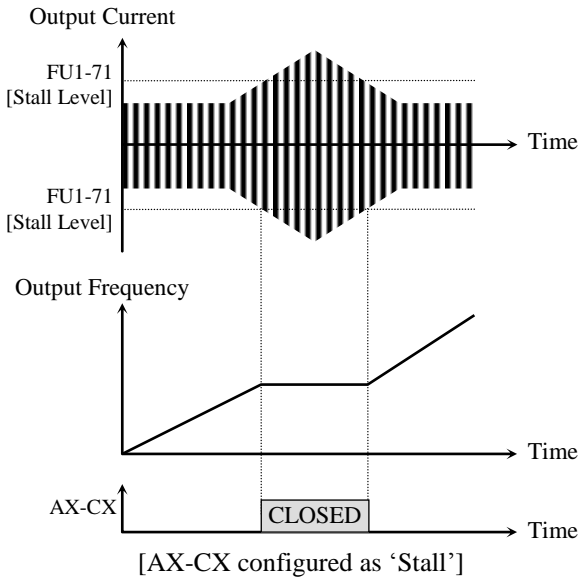
AX-CX is CLOSED when the output current is above the 110% of rated inverter current for 36 seconds. If this situation is continued for one minute, the inverter will cut off its output and displays 'IOL' (Inverter overload) Trip. See the nameplate for the rated inverter current. (IOL has the the inverse time characteristic (I^2t) and outputs the alarm signal when the time is passed 60% of the designated trip time.)



[Stall]

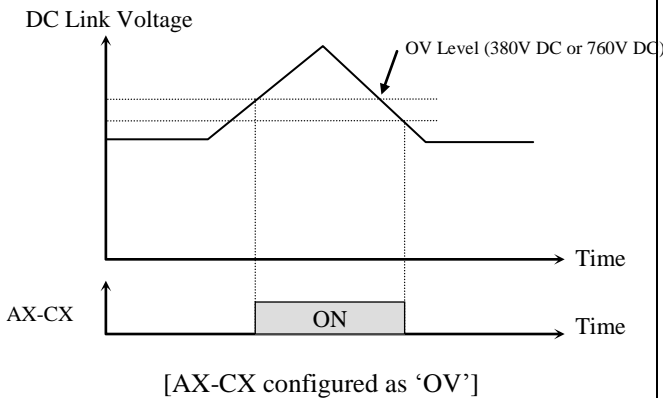
AX-CX is CLOSED when the inverter is on the

stall prevention mode.



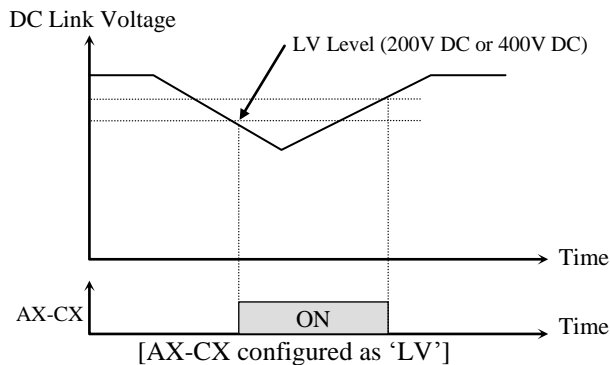
[OV]

AX-CX is CLOSED when the DC link voltage is above the Over-voltage level.



[LV]

AX-CX is CLOSED when the DC link voltage is below the Low-voltage level.



[OH]

AX-CX is CLOSED when the heat sink of the

inverter is above the reference level.

[Lost Command]

AX-CX is CLOSED when frequency reference is lost. Refer to I/O-18, I/O-92 and I/O-93.

[Run]

AX-CX is CLOSED when the inverter is running. (Signal is not generated at DC braking.)

- 1) It outputs the signal from above start frequency (FU1-32).
 - It does not output in 0Hz operation.
- 2) It outputs the signal when DC Start, DC Brake, Pre-Heat, etc..
 - It does not output in auto-tuning.

[Stop]

AX-CX is CLOSED when the inverter is stopped.

[Steady]

AX-CX is CLOSED when the inverter is running at constant speed.

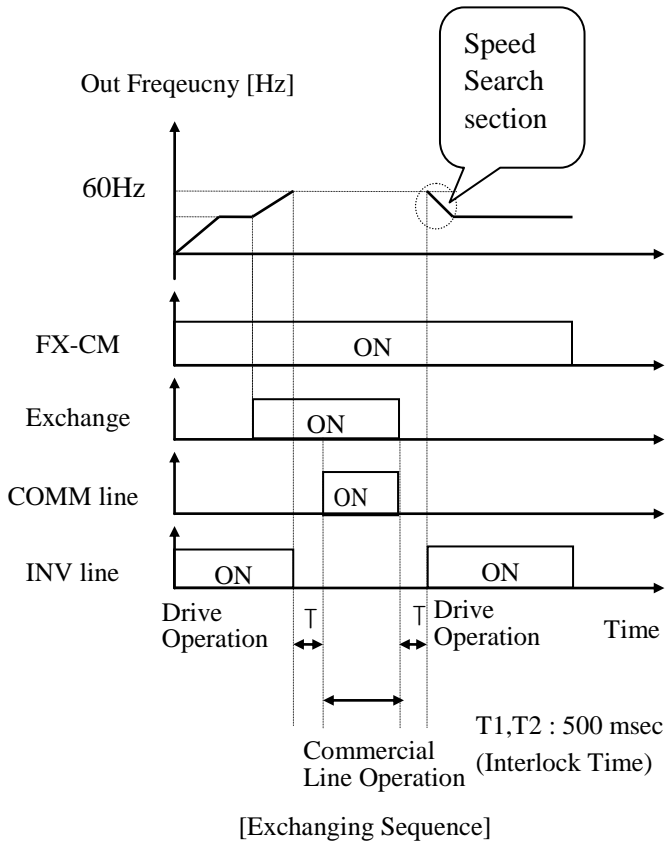
[INV line, COMM line]

This function is used in conjunction with 'Exchange' function of Programmable digital input for commercial line exchange.

- 1) Speed search function (FU2-22) is activated automatically during exchanging operation, enabling smooth exchange.
- 2) Before the operation, the below setting is necessary.
 - Programmable input terminal set to 'Exchange'.
 - Programmable output terminal set to 'INV line'.
 - Programmable output terminal set to 'COMM line'.

Note: I/O-29 [Filtering Time Constant for Programmable Digital Input Terminals] must be set to more than 100 [msec] to prevent chattering and momentary malfunction during this function.

Note: The function is invalid in operation.

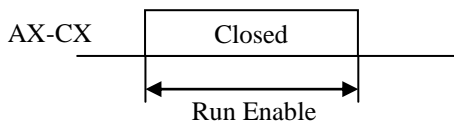


[Search]

AX-CX is CLOSED during the inverter is speed searching.

[Ready]

AX-CX is CLOSED when the inverter is ready to run.



[MMC]

Automatically set to 'MMC' when 'MMC' is selected in APP-01.

I/O-80: Fault Output Relay (3A, 3B, 3C)

I/O▶ Relay mode	80	010
80	010	

Factory Default: 010 **010**

This function is used to allow the fault output relay to operate when a fault occurs. The output relay terminal is 3A, 3B, 3C where 3A-3C is a normally open contact and 3B-3C is a normally closed contact.

Bit	Setting	Display	Description
Bit 1 (LV)	0	000	Fault output relay does not operate at 'Low voltage' trip.
	1	001	Fault output relay operates at 'Low voltage' trip.
Bit 2 (Trip)	0	000	Fault output relay does not operate at any fault.
	1	010	Fault output relay operates at any fault except 'Low voltage' and 'BX' (inverter disable) fault. (Over current, Over current protection, Over voltage, Electric Thermal, Arm short, Ground short, Overheat etc.)
Bit 3 (Retry)	0	000	Fault output relay does not operate regardless of the retry number.
	1	100	Fault output relay operates when the retry number set in FU2-25 decreases to 0 by faults. Disabled while Auto retry is ON.

When several faults occurred at the same time, Bit 1 has the first priority. (Active order: Bit 1->Bit 2->bit3)

I/O-81: Terminal Output Status

I/O▶ Out status	81	0000
81	00000000	

Factory Default: 00000000 **0000**

This code displays the status of AXA-AXC 1~4, the output status of control terminals Q1~Q3 and the fault relay 3A,3C.

Use Sub-Boards if you need to use Programmable Digital output terminal Q1, Q2, and Q3.

[LCD Keypad Display]

Output Terminals	3A-3C	Q3	Q2	Q1	AUX 4	AUX 3	AUX 2	AUX 1
	Bit 7	Bit 6	Bit 5	Bit 4	Bit 3	Bit 2	Bit 1	Bit 0
OFF status	0	0	0	0	0	0	0	0
ON status	1	1	1	1	1	1	1	1

I/O-82, 83: Fault Relay On/Off Delay Time

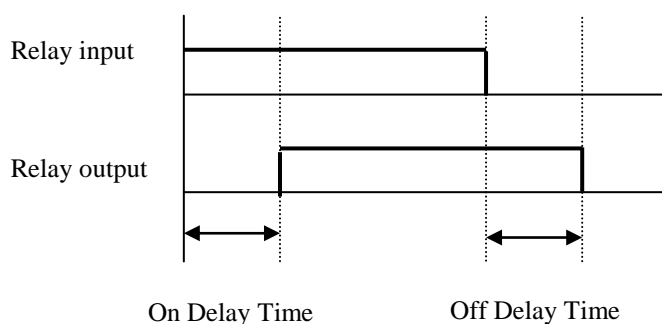
I/O▶ Relay On
82 0.0 sec **82** **0.0**

Factory Default: 0.0 sec **0.0**

I/O▶ Relay Off
83 0.0 sec **83** **0.0**

Factory Default: 0.0 sec **0.0**

Fault relay output is delayed for the set time and it is turned ON/OFF after the set time.



I/O-84: Cooling Fan Control Selection

I/O▶ Fan Con. Sel
84 PowerOn_Fan **84** **0**

Factory Default: PowerOn_Fan **0**

I/O-84	Description
0 PowerOn Fan	Fan ON when inverter power is ON.
1 Run Fan	Fan ON when inverter runs (outputs its frequency).
2 Temper Fan	Fan ON when inverter temp exceeds the preset value in I/O-85.

Caution: I/O-84, 85 are only available for inverters 37kW and higher.

I/O-86, -87: To Change the Unit of Analog Input

I/O▶ V1 Unit Sel
86 Percent **86** **0**

Factory Default: Percent **0**

I/O▶ Unit Max Val
87 Percent **87** **0**

Factory Default: Speed **0**

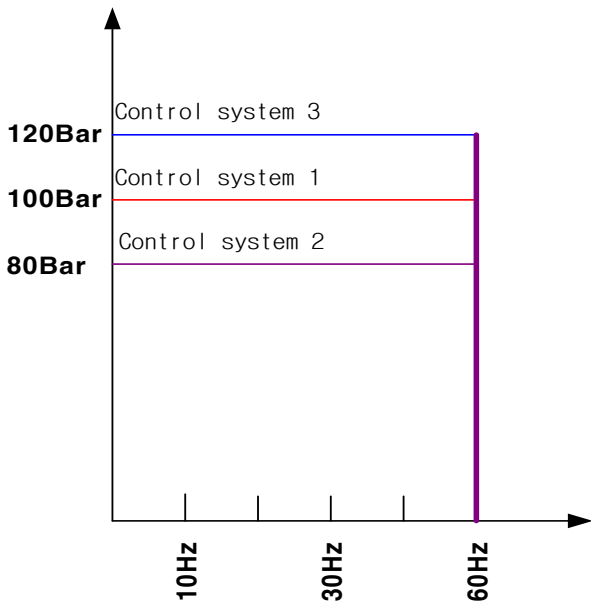
No	I/O-86 set data	Description
0	Percent	Flux, Pressure, Temperature are indicated by [%].
1	Bar	Pressure is indicated by [Bar].
2	mBar	Pressure is indicated by [mBar].
3	kPa	Pressure is indicated by [kPa].
4	PSI	Pressure is indicated by [PSI].
5	Pa	Pressure is indicated by [Pa].

After Setting APP-02 [proc PI mode] to “Yes”, set one of the unit: Percent, Bar, mBar, kPa, PSI, Pa at I/O-86 [User unit selection]. Then, all the unit related to inverter target frequency is changed. Set APP-02 [proc PI mode] to “No” I/O-86 [User unit selection] is initialized by “Percent”.

No	I/O-87 set data	Description
0	Unit Max Val	Set the Max. value of unit.

I/O-87 [Unit Max Val] indicates Max setting value for each unit which is possible to operate. Each system may have different value: Max Flux, Pressure, Temperature for max frequency according to the system, I/O-87 [User unit selection] is useful to user.

For example, There are 3 Control systems. When Max frequency of inverter is 60 Hz, Each system indicates pressures: Control system 1 shows 100Bar, Control system 2 shows 80Bar, Control system 3 shows 120Bar. It makes easy to find the pressure corresponding to Max frequency of each control system by inputting in I/O-87 [Unit Max Val].



I/O-90, 91: Inverter Number, Baud Rate
 I/O-92, 93: Operation method when communication signal is lost, Communication Time Out
 I/O-94: Communication Delay Time

I/O► Inv No. **90** **1**
 90 1

Factory Default: 1 **1**

I/O► Baud rate **91** **3**
 91 9600 bps

Factory Default: 9600 bps **3**

I/O-90 [Inverter Number] sets the inverter ID to perform RS485 communication with PC. I/O-91 [Baud rate] sets the communication speed. To make the multi-drop system, connect the terminal C+ to other inverter's C+ and C- to C-.

Code	LCD Display	Description	Factory Default	Setting Range
I/O-90	Inv. no	Inverter Station ID	1	1 ~ 250
I/O-91	Baud rate	Baud Rate	9600 bps	1200 bps 2400 bps 4800 bps 9600 bps 19200 bps 38400 bps

I/O► COM Lost Cmd **92** **0**
 92 None

Factory Default: None **0**

I/O► COM Time Out **93** **1.0**
 93 1.0 sec

Factory Default: 1.0 sec **1.0**

I/O-92, 93 are only displayed when DRV-03 [Drive mode] or DRV-04 [Frequency mode] is set to "Int. 485".

In this case, the LCD display shows "LOR".

I/O-93 [Communication time out] determines whether the signal is lost.

Three types of operating method described on the table below are settable after loss of communication signal.

Setting Range	Description
None (Factory Default)	Continuous operation after loss of communication signal.
FreeRun	Inverter cuts off its output after determining loss of communication signal and free-run to stop.
Stop	Inverter stops by its Decel pattern and Decel time after determining communication signal.

I/O► Delay Time **94** **5**
 94 5

Factory Default: 5 ms **5**

I/O-94 setting is for communication using 232-485 converter. It should be set properly according to 232-485 converter specification.

Code	LCD Display	Description	Factory Default	Setting Range
I/O-94	Delay Time	Comm. delay time	5 [sec]	2 ~ 1200 [msec]

I/O-95: Normal Open/ Normal Close select

I/O▶ In No/NC Set **95** **0000**
 95 00000000000

Factory Default: 00000000000 **0000**

The input contact logic (Normal Open-A Contact/Normal Close-B Contact) for M1, M2, M3, M4, M5, M6, M7, M8, P4, P5 and P6 can be programmed in this code. Input terminals P4, P5 and P6 are settable only with Sub-board installed.

[LCD KEYPAD DISPLAY]

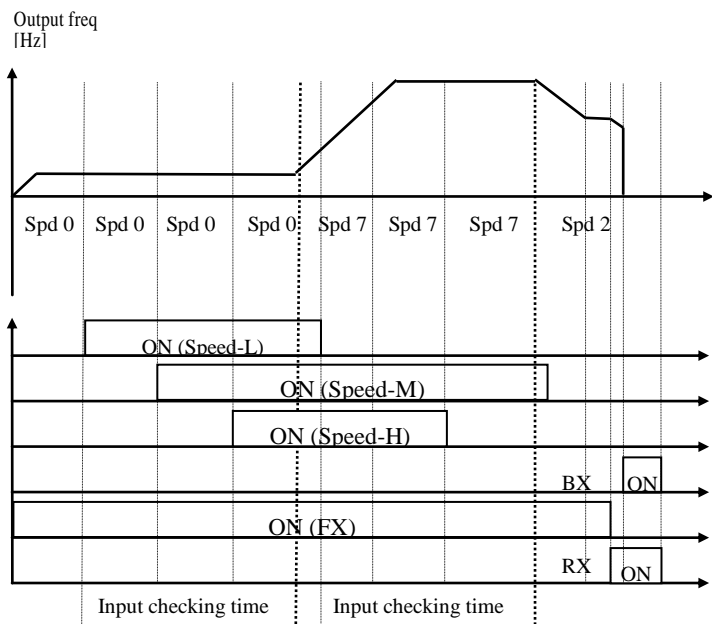
Input T/M	P6	P5	P4	M8	M7	M6	M5	M4	M3	M2	M1
	10 bit	9 bit	8 bit	7 bit	6 bit	5 bit	4 bit	3 bit	2 bit	1 bit	0 bit
0: NO	0/1	0/1	0/1	0/1	0/1	0/1	0/1	0/1	0/1	0/1	0/1
1: NC	0/1	0/1	0/1	0/1	0/1	0/1	0/1	0/1	0/1	0/1	0/1

I/O-96: Input Checking Time

I/O▶ In CheckTime **96** **1**
 96 1 ms

Factory Default: 1 ms **1**

When Multi-step speed or Multi-Accel/Decel operation is active, inverter determines the input to be valid after the I/O-95 [Input checking time] elapses.



[Input checking time]

I/O-97: Overheat Trip Selection

I/O▶ OH Trip Sel **97** **111**
 97 111

Factory Default: 111 **111**

I/O▶ Mot Trip Temp **98** **110**
 98 110

Factory Default: 110 [°C] **110**

Inverter Overheat protection is activated regardless of motor temp setting condition.

Code	Bit set			Function	On	Off
	3	2	1			
I/O-97			●	Motor overheat trip setting (tripped at I/O-98)	1	0
		●		-Reserved-	1	0
	●			External temperature sensor selection (PTC/NTC)	1	0

⚠ **Caution: Bit 2 is reserved for future use.**

Code	LCD Display	Description	Factory Default	Setting Range
I/O-97	OH Trip Sel	External temperature Sensor Trip setting	111	000 ~ 111 (bit)
I/O-98	Mot Trip Temp	Motor overheat Trip setting	110[°C]	0~256[°C]

I/O-99: Lost Cmd Preset Freq Setting

I/O▶ Lost Preset **99** **0.00**
 99 0.00 Hz

Inverter run at the preset frequency set in I/O-99, when the frequency command is lost. Preset frequency can set less than FU1-30 Max Freq

Specification of External PTC/NTC Thermistor

Sensor	Resistance based on 25 °C	Resistance by temperature	Measurable Temp range
PTC	1 kΩ (± 5%)	$R(T)=[1+A*(\text{Measured temp}-25)+B*(\text{Measured temp}-25)^2][k\Omega]$ $A=7.635 \times 10^{-3}$, $B=1.371 \times 10^{-5}$	0~125[°C]
NTC	2.545 kΩ (± 5%)	See the table below for NTC resistance by temperature.	0~150[°C]

☞ Note : Measurable temp range varies by thermal sensors. Select the sensor after checking the measurable temp range specification.

NTC resistance according to temperature

Temp [°C]	Resistance [kΩ]	Temp [°C]	Resistance [kΩ]	Temp [°C]	Resistance [kΩ]	Temp [°C]	Resistance [kΩ]	Temp [°C]	Resistance [kΩ]	Temp [°C]	Resistance [kΩ]	Temp [°C]	Resistance [kΩ]
80	0.3562	90	0.2649	100	0.2002	110	0.1536	120	0.1195	130	0.0942	140	0.0752
81	0.3455	91	0.2574	101	0.1949	111	0.1497	121	0.1167	131	0.0921	141	0.0736
82	0.3353	92	0.2502	102	0.1897	112	0.1459	122	0.1139	132	0.0900	142	0.0720
83	0.3254	93	0.2432	103	0.1847	113	0.1423	123	0.1112	133	0.0880	143	0.0705
84	0.3158	94	0.2364	104	0.1798	114	0.1387	124	0.1085	134	0.0860	144	0.0690
85	0.3066	95	0.2299	105	0.1751	115	0.1353	125	0.1060	135	0.0841	145	0.0675
86	0.2976	96	0.2236	106	0.1705	116	0.1319	126	0.1035	136	0.0822	146	0.0661
87	0.2890	97	0.2174	107	0.1661	117	0.1287	127	0.1011	137	0.0804	147	0.0647
88	0.2807	98	0.2115	108	0.1618	118	0.1255	128	0.0987	138	0.0786	148	0.0633
89	0.2727	99	0.2058	109	0.1577	119	0.1225	129	0.0965	139	0.0769	149	0.0620
												150	0.0608

☞ Note: Use the external NTC having the specification above and adjust I/O-98 when the temp difference between inverter and external sensor is occurred.

☞ Note: Overheat protection can be monitored by setting one of the I/O-76~79 [Aux mode 1, 2, 3] to "OH".

6.5 Application group [APP]

APP-00: Jump to desired code #

APP▶ Jump code	
00	1

Factory Default: 1

Jumping directly to any parameter code can be accomplished by entering the desired code number. This code is available only with LCD keypad.

APP-01: Application Mode Selection

APP▶ App. mode	01	0
01	None	

Factory Default: None 0

This code sets the application mode.

APP-01 Set data	Description
None	Application mode is not selected. (Factory Default)
MMC	MMC (Multi-Motor Control) mode is selected in application group. Related parameters (APP-40~71) are displayed. I/O-76~79 [Programmable digital Aux. relay output] is automatically set to "MMC." If less than 4 aux motors are connected, the remainder relays can be used for other functions.

⚠ Caution: I/O-76~79 value is not initialized automatically even though "None" is set after setting "MMC". In this case, set the I/O-76~79 again for desired selection.

APP-02: PID Operation Selection

APP▶ Proc PI mode	02	0
02	No	

Factory Default: No 0

This function can be used for Process control like flow, pressure, and air volume control. To use this function, set APP-02 [proc PI mode] to "Yes". PID control detects the amount of feedback from a sensor and compares it with the target value. If the values differ, this function produces an output to eliminate the deviation. In other words, this control matches the feedback amount with the

target value. For HVAC or Pump applications, the PID control can be used to adjust the actual output by comparing a feedback with a 'Set-point' given to the inverter. This 'Set-point' can be in the form of Speed, Temperature, Pressure, Flow level, etc. The 'Set-point' and the feedback signals are provided externally to the inverter analog input terminals. The inverter compares the signals in calculating 'total-error' which is reflected in the inverter output.

Note: PID control can be bypassed to manual operation temporarily by defining one of the Programmable input terminals (M1~M8, P4~P6) to "Open-loop". The inverter will change to manual operation from PID control when this terminal is ON, and change back to PID control when this terminal is OFF.

[P Control]

An error will be occurred for the input during steady state when P control used alone without I control. This control is to compensate the error for a system input proportionally. This is used to make the controller to respond fast for an error. When P control is used alone, the system is easily affected by an external disturbance during steady state. If I Control is included, error can be eliminated.

[I Control]

I control system to plant is unstable for Integral Gain Ki. This is to compensate the error of a system integrally but it makes the system unstable. This is used to compensate the steady state error by accumulating them. Using this control alone makes the system unstable and that application is rarely used. PI control is usually used to eliminate the error for the input during steady state.

[PI control]

If PI control is stable for the input (base input, disturbance), the error will not be occurred. This control is stable in many systems. If "D control" is added, it becomes the 3rd order system. In some systems this may lead to system instability since Proportional gain Kp is increased .

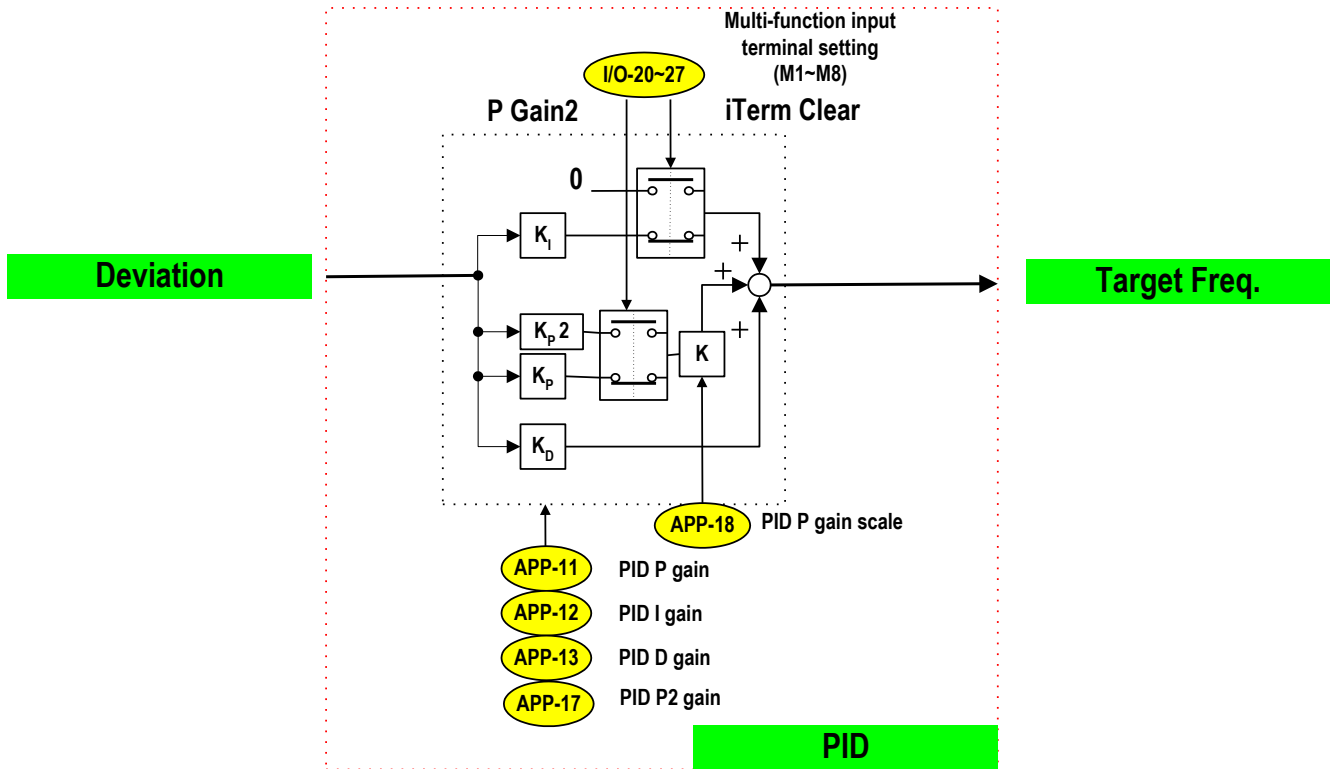
[D Control]

Since the D control uses the variation ratio of error, it has the merit of controlling the error before the error is too large. The D control requires a large control quantity at start, but has the tendency of increasing the stability of the system. This control does not affect the steady state error directly, but increases the system gain because it has an attenuation effect on the system. As a result, the differential control component has an effect on decreasing the steady state error. Since the D control operates on the error signal, it cannot be used alone. Always use it with the P control or PI control.

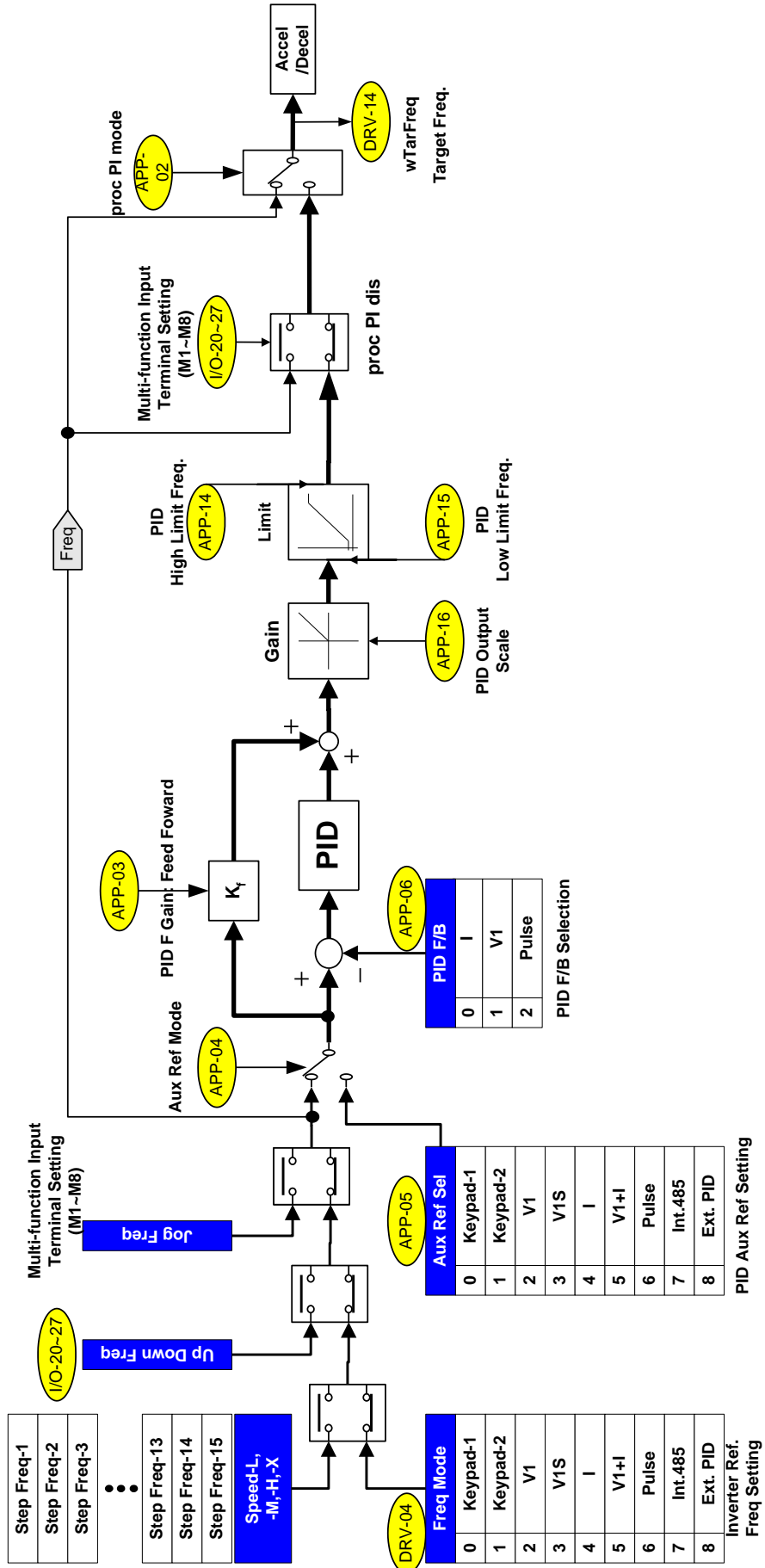
Parameter setting example for PID operation

- ① Set APP-02 [PID operation selection] to “Yes.”
- ② Set APP-06 [PID feedback selection] among I, V1 and Pulse.
- ③ Set the unit to view feedback value in I/O-86~88 [User unit selection]. Then, all the unit related to inverter target frequency is changed.
- ④ Set the appropriate value in APP-04~05 (Refer to the following PID block diagram).
- ⑤ When APP-04 is set to “No,” DRV-04 [Freq Mode] becomes PID reference. If APP-04 is set to “Yes”, the value set in APP-05 becomes PID reference. If setting one of I/O-20~27 [Programmable digital input terminal selection] to “Open loop” and tuning On/Off the selected terminal, it is decided whether DRV-04 [Freq Mode] becomes Target freq or Target freq becomes PID Output.

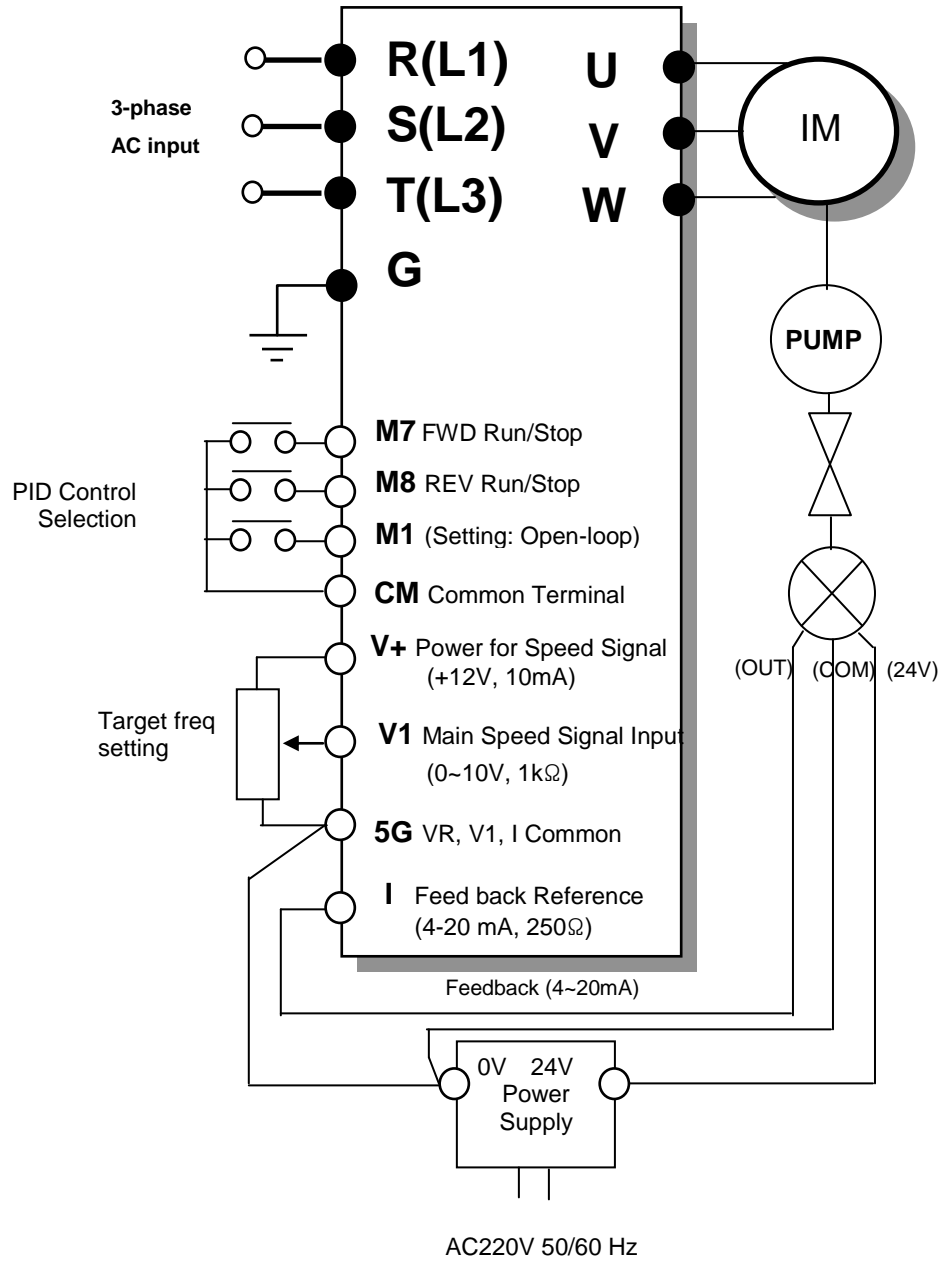
In general, the PID output becomes inverter's "Target Freq". In this case, PID is controlling the whole system and the PID output becomes the target freq of the system and inverter is operating according to Accel/Decel Time. PID control sampling time is 10msec.



PID Block Diagram

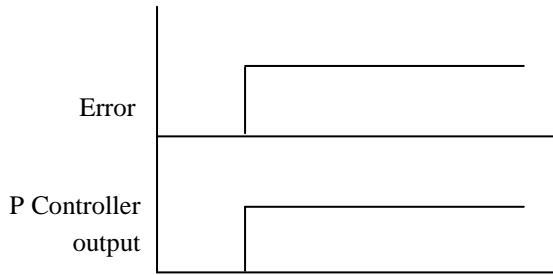


PID Wiring Example



● **P Gain**

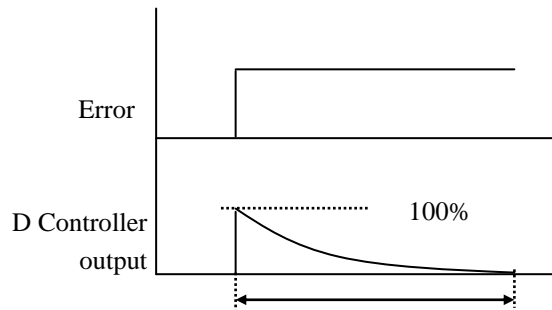
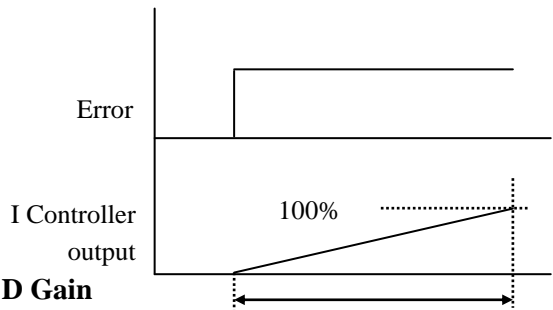
This controls the output that is proportional to the current error value. P Gain means that if Reference is supplied to 100% and Feedback is maintained to 0%, namely, error



keeps the value to 100%, output changed from 0% to 100% when Pgain is 100%. Output become 100% when maximum frequency is 100%. For example, Output frequency become 60Hz when maximum frequency is 60Hz. Hence, P controller has maximum P Gain, it can output the maximum output frequency with 10% error value.

● **I Gain**

This controls the output properly that is proportional to accumulated error. I controller must be displayed the time value. I Gain means the time to take the I controller output from 0% to 100% during x sec with 100% error when Reference is supplied to 100% and Feedback is maintained to 0%.



● **D Gain**

This controls the responding the rate of change or Error. It is multiplying this rate of change by this value. D controller is determined as below formula since D controller has the difference between the mathematical formula and actual application.

$$Kd \times \frac{E(n) - E(n - 1)}{Ts} \times (1 - e^{-Dtime})$$

The output by D Gain become to 100% when Referenc become to 100% and Feedback keep the value to 0%, namely, Error value become to 0 % at T=0 and it is changed to 100 % at next sampling and then it keeps the 100% value.

D time is determined by remaining time that the output is reduced to 3 % gradually.

APP-03: PID F Gain Selection
APP-04: PID Aux. Reference Mode Selection
APP-05: PID Aux. Reference Selection

APP▶ PID F-Gain 03 0.0 %	03	0.0
----------------------------------	-----------	------------

Factory Default: 0.0%	0.0
-----------------------	------------

This code sets F Gain for use in Feed Forward control.
 When it is set to 100%, the responsiveness (%) of output F gain from the controller reference value is 100%. Used when fast response is needed.
Caution: Control System output may become unstable if this value is set too high.

APP▶ Aux Ref Mode 04 No	04	0
---------------------------------	-----------	----------

Factory Default: No	0
---------------------	----------

This code selects PID Aux Ref. Input Enable/Disable. See PID Block Diagram for details.

APP▶ Aux Ref Sel 05 v1	05	2
--------------------------------	-----------	----------

Factory Default: v1	2
---------------------	----------

This code sets the source of Aux reference signal.
Caution: When APP-04 is set to “No,” DRV-04, Multi-step frequency, UP/DOWN, Jog frequency become PID controller’s reference and when set to “Yes,” PID reference is issued from the set value in APP-05 [PID Aux Reference signal selection] .

APP-06: PID Feedback Signal Selection
APP-07: Meter I Max Value
APP-08: Meter V Max Value
APP-09: Meter P Max Value

APP▶ PID F/B 06 I	06	0
---------------------------	-----------	----------

Factory Default: I	0
--------------------	----------

Select the feedback signal for PID control. This can be set one of ‘I’ (4-20mA), ‘V1’ (0~12V) and ‘Pulse’ (A0 and B0, 0~100kHz). Refer to I/O-06~10 for I, I/O-01~05 for V1, I/O-11~16 for Pulse.

APP▶ meter I max 07 20mA	07	20
----------------------------------	-----------	-----------

Factory Default: 20mA	20
-----------------------	-----------

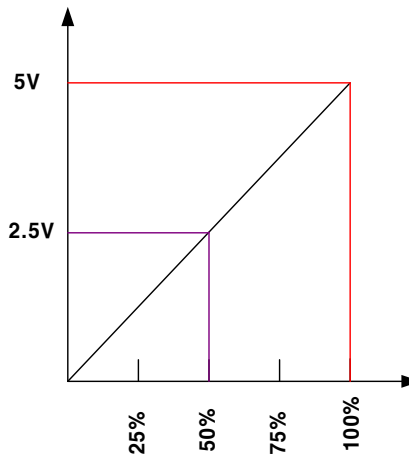
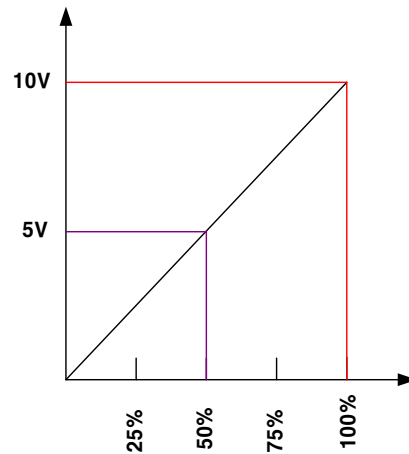
APP▶ meter V max 08 10 V	08	10
----------------------------------	-----------	-----------

Factory Default: 10 V	10
-----------------------	-----------

APP▶ meter P max 09 100 kHz	09	100
-------------------------------------	-----------	------------

Factory Default: 100 kHz	100
--------------------------	------------

APP-07 [Meter I Max], APP-08 [Meter V Max], APP-09 [Meter P Max] are can be set according to APP-06 selection. FeedBack depends on system or sensor specification. Therefore, By using Max value of Feedback in calculation. Next Figure shows Max Feedback Max value is 10V and 5V respectively.



[FeedBack for Max value setting]

APP-11: P Gain for PID Control
APP-12: I Gain for PID Control
APP-13: D Gain for PID Control

APP▶ PID P Gain 11 1.0 %	11	1.0
----------------------------------	-----------	------------

Factory Default: 1.0 %	1.0
------------------------	------------

This is P Gain of PID controller . If I Gain is 0 with 100% error, P Gain outputs the 100 % value. In addition, If I Gain is 0 with 100% error, P Gain output the 50% value.

APP▶ PID I Time 12 10.0 sec	12	10.0
-------------------------------------	-----------	-------------

Factory Default: 10.0 sec	10.0
---------------------------	-------------

This is I Time of PID controller. I Gain is 1 second that the output value is accumulated to 100% when P Gain is 0 with maintaining 100% error. Namely, I Gain is 30 seconds that means the output value is accumulated to 100% during 30 seconds with maintaining 100% error. 100% error means reference value is set but feedback value is 0.

APP▶ PID D Time 13 0.0msec	13	0.0
------------------------------------	-----------	------------

Factory Default: 0.0 msec	0.0
---------------------------	------------

This code sets the differential Gain of PID Controller.

APP-14: High limit freq for PID control
APP-15: Low limit freq for PID control
APP-16: PID Output Scale
APP-17: PID P2 Gain

APP▶ PID Hi Limit 14 60.00Hz	14	60.00
--------------------------------------	-----------	--------------

Factory Default: 60.00Hz	
--------------------------	--

APP▶ PID Low Limit 15 0.5Hz	15	0.5
-------------------------------------	-----------	------------

Factory Default: 0.5Hz	0.5
------------------------	------------

APP-14 &15 set high and low limit value of PID controller's output.

APP▶ PID OutScale 16 100.0%	16	100.0
-------------------------------------	-----------	--------------

Factory Default: 100.0%	100.0
-------------------------	--------------

APP-16[PID Out Scale] sets PID controller's conversion scale

APP▶ PID P2 Gain 17 100.0%	17	100.0
------------------------------------	-----------	--------------

Factory Default: 100.0%	100.0
-------------------------	--------------

App-17 [PID P2 Gain] sets PID controller's proportional gain 2 value.

APP-18: P Gain Scale
APP-19: PID Out Invert

APP▶ P Gainscale 18 100.0%	18	100.0
------------------------------------	-----------	--------------

Factory Default: 100.0%	100.0
-------------------------	--------------

APP-18[P GainScale] sets PID controller's conversion scale of proportional gain P and P2.

APP▶ PID OutInvert 19 No	19	0
----------------------------------	-----------	----------

Factory Default: NO	0
---------------------	----------

APP-19[PID Output Invert] sets PID controller's output Invert. 6-58

APP▶ PID U Fbk 20 No	20	0
------------------------------	-----------	----------

Factory Default: NO	0
---------------------	----------

APP-20[PID U curve feedback select] converts sets PID controller's feedback to "U". (It is used when "square" operation as a proportional value of sensor feedback.)

This code is useful for fan and pumps application. It converts linear pattern of a feedback sensor to the squared pattern without any setting.

PID output value can be set to '0' by setting a Programmable digital input terminals (M1 ~ M8) to 'Open loop' in I/O- I/O-20 ~ I/O-27.

The accumulated value by I-Gain can be set to '0' by setting a Programmable digital input terminal (M1 ~ M8) to 'iTerm Clear' in I/O-20 ~ I/O-27.

The P-Gain 2 can be selected for PID controller by setting a Programmable digital input (I/O-20 ~ I/O-27) to 'PID P2'.

When APP-02 [PID operation selection] is set to "Yes," a desired display unit in I/O-86, -87, -88 [User Unit selection] is set among Speed, Percent, Bar, mBar, kPa, Pa, which affects value display of APP-06[PID feedback selection], all the parameter unit related to inverter target frequency is changed.

operate PID in PrePID operation, the PrePID operation is exit and start PID operation.

APP-25 [Pre PID Stop Delay]

After time that set in this code, if the detected value is under level than has set for PID operation, the system has a problem(Ex. The pipe Broken). So it must be set properly again.

APP-26 [Pipe Broken]

In case that the detected value is under the APP-24 and maintained over the time setted in APP-25, the system show "Pipe Broken" concluding the pipe has a problem.

APP-23: PrePID Reference Frequency		
APP-24: PrePID Exit Level		
APP-25: PrePID Stop delay		
APP-26: Pipe Broken		
APP▶ PrePID Freq 23 0	23	0
Factory Default: 0		0
APP▶ PrePID Exit 24 0	24	0
Factory Default: 0		0
APP▶ PrePID Dly 25 600	25	600
Factory Default: 600		600
APP▶ Pipe Broken 26 No	26	0
Factory Default: No		0

APP-27: Sleep Delay Time		
APP-28: Sleep Frequency		
APP-29: Wake-Up Level		
APP▶ Sleep Delay 27 60.0sec	27	60.0
Factory Default: 60.0 sec		60.0
APP▶ Sleep Freq 28 0.00Hz	28	0.00
Factory Default: 0.00Hz		0.00
APP▶ WakeUp level 29 2.0%	29	2.0
Factory Default: 2.0%		2.0

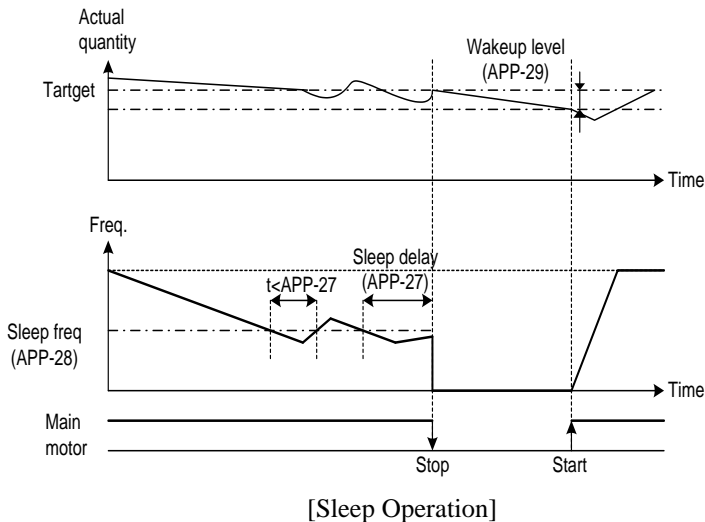
PrePID is a function that activate before PID operation in order to run by good condition. For example, In Winder operation, this function make accel/decel speed operation before reach a certain speed of line speed.

APP-23 [PrePID Reference Frequency]
While select PrePID, it is a frequency that output until PrePID is completed by target frequency.

APP-24 [Pre PID Exit Level]
If the detected value like as pressure is capable to

Sleep function is initiated when flow demand is low. Inverter stops motor when the motor runs below Sleep Frequency (APP-28) during Sleep Delay Time (APP-27). While in the sleep state, the drive keeps monitoring and controlling, and initiates the Wake-Up function when the real value of the controlling amount is greatly different from the Wake-Up level (APP-29) based on Target Level.

Note: Sleep function is not operated if the Sleep Delay Time (APP-29) set to '0'.



[Sleep Operation]

APP-30 ~ APP-39: 2nd Functions

APP▶2 nd Acc time 30 5.0 sec	30	5.0
---	-----------	------------

Factory Default: 5.0 sec	5.0
--------------------------	------------

APP▶2 nd Dec time 31 10.0 sec	31	10.0
--	-----------	-------------

Factory Default: 10.0 sec	10.0
---------------------------	-------------

These functions APP-30 ~ APP-39 are displayed only when one of the multifunction inputs in codes I/O-20 to I/O-27 is set at '2nd func'.

When an inverter is controlling two motors by exchanging, different values can be set for the 2nd motor by using the multifunction input terminal. Following a cross reference table shows the 2nd functions corresponding to the 1st functions.

Description	1 st Functions	2 nd Functions
Acceleration time	DRV-01 [Acc. time]	APP-30 [2nd Acc time]
Deceleration time	DRV-02 [Dec. time]	APP-31 [2nd Dec time]
Base Frequency	FU1-31 [Base freq]	APP-32 [2nd BaseFreq]
Volts/Hz mode	FU1-40 [V/F Pattern]	APP-33 [2nd V/F]
Forward torque boost	FU2-68 [Fwd Boost]	APP-34 [2nd F-boost]
Reverse torque boost	FU2-69 [Rev Boost]	APP-35 [2nd R-boost]
Stall prevention level	FU1-60 [Stall Level]	APP-36 [2nd Stall]

Description	1 st Functions	2 nd Functions
ETH level for 1 minute	FU1-61 [ETH 1min]	APP-37 [2nd ETH 1min]
ETH level for continuous	FU1-62 [ETH cont]	APP-38 [2nd ETH cont]
Motor rated current	FU2-43 [Rated-Curr]	APP-39 [2nd R-Curr]

The 1st functions are applied if the assigned multifunction terminal is not defined as '2nd Func' nor ON. The 2nd function parameters are applied when the multifunction input terminal set to '2nd Func' is ON. Parameters not listed on the table above are same as the 1st function.

Caution: Exchange the motor connection from the 1st motor to the 2nd motor or the opposite when the motor is stopped. Over voltage or over current fault may occur when the motor is exchanged during operation.

Note: The 'User V/F' function of FU1-40 [V/F Pattern] is commonly used for the 1st and the 2nd motor.

**APP-40: Number of Running Aux. Motor Display
APP-40~APP-72: MMC Operation Control**

APP▶ Aux Mot Run 40 0	40	0
Factory Default: 0	0	

This code shows how many auxiliary motors are run by MMC control.

[MMC]: The 'PID' control should be selected in APP-02 to use this function.

◆ One inverter can control multiple motors. This function is often used when controlling the rate and pressure of flow in fans or pumps. Built-in PI controller controls a main motor after receiving process control feedback value and keeps the control value constant by connecting auxiliary motors to commercial line when needed.

◆ In case that flow rate or flow pressure is beyond or below the reference so the main motor cannot control by itself, auxiliary motors are automatically turned on/off. Maximum four (Aux.1-4 output) auxiliary motors can be run. Each of Starting and

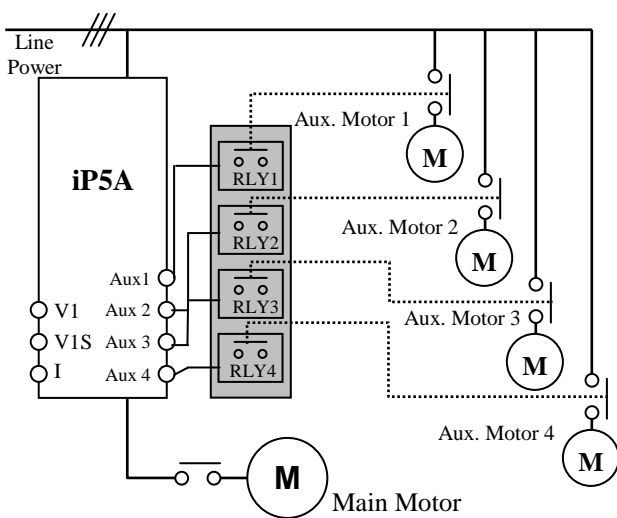
Stop Frequency should be set for automatically running four auxiliary motors.

◆ Auto Change can be selected to automatically switch the order of the running motors for keeping motor run-time constant. Set mode ‘1’ for automatic changing of auxiliary motors only and set mode ‘2’ for automatic changing of all motors including main motor. For mode ‘2’, external sequence should be configured.

◆ Abnormal motor can be skipped from running by using the Programmable digital input terminals (M1, M2, M3, and M4). If a Programmable digital terminal (M1, M2, M3 and M4) is opened, the inverter stops all running motors and restarts operation with only normal motors except the abnormal (Off) motor.

◆ Sleep function is initiated when flow demand is low. Inverter stops the motor when the motor runs below Sleep Frequency after Sleep Delay Time. While in the sleep state, inverter keeps monitoring and initiates Wake-Up function when the real value (feedback) of the controlling amount has decreased below the Wake-Up level.

Note: Only one auxiliary motor can be connected with AUX terminal on control terminal strip without using MMC Option Board.



[MMC Diagram]

Code	LCD Display	Description	Factory Default	Setting Range
APP-40	Aux Mot Run	The number of operating Aux. motor	*	*
APP-41	Starting Aux	Select the starting Aux. motor	1	1 – 4
APP-42	Auto Op Time	Operation time for Auto change function	*	*
APP-43	Nbr Aux's	Select the number of Aux. motor	4	0 - 4
APP-44	F-in L-out	The stop order of Aux. motor	Yes	No Yes
APP-45	ALL Stop	The stop method of Aux. motor	Yes	No Yes
APP-47	Start freq 1	Starting freq. of No.4 Aux. motor	49.99 Hz	0-Max. freq.
APP-48	Start freq 2	Starting freq. of No.2 Aux. motor	49.99 Hz	0-Max. freq.
APP-49	Start freq 3	Starting freq. of No.3 Aux. motor	49.99 Hz	0-Max. freq.
APP-50	Start freq 4	Starting freq. of No.4 Aux. motor	49.99 Hz	0-Max. freq.
APP-51	Stop freq 1	Stop freq. of No.1 Aux. motor	20.00 Hz	0-Max. freq.
APP-52	Stop freq 2	Stop freq. of No.2 Aux. motor	20.00 Hz	0-Max. freq.
APP-53	Stop freq 3	Stop freq. of No.3 Aux. motor	20.00 Hz	0-Max. freq.
APP-54	Stop freq 4	Stop freq. of No.4 Aux. motor	20.00 Hz	0-Max. freq.
APP-58	Aux start DT	Starting delay time of Aux. motor	5.0 sec	0 – 999.9 sec
APP-59	Aux stop DT	Stop delay time of Aux. motor	5.0 sec	0 – 999.9 sec
APP-60	Pid Acc Time	Acc time when number of pump is decreased.	2.0 sec	0 – 600.0 sec
APP-61	Pid Dec Time	Dec time when number of pump is	2.0 sec	0 – 600.0 sec

Code	LCD Display	Description	Factory Default	Setting Range
		increased.		
APP-62	Regul Bypass	Select the Bypass	No	No Yes
APP-63	Sleep Delay	Sleep delay time	60 sec	0 – 999.9 sec
APP-64	Sleep Freq	Sleep freq.	0.0 Hz	0-max. freq.
APP-65	WakeUp level	WakeUp Level	35.0 %	0.0 – 100.0 %
APP-66	AutoCh_Mode	Select Auto-change mode	0	0 - 2
APP-67	AutoEx-intv	Time of Auto-change	72:00	00:00 – 99:00
APP-68	AutoEx-Freq	Frequency of Auto-change	20.00 Hz	0 – max. freq.
APP-69	Inter-lock	Select Inter-lock	No	No Yes
APP-71	Aux Stt Diff	Difference of starting pressure of Aux motor	2%	0 – 100%
APP-72	Aux Stp Diff	Differnece of stop pressure of Aux motor	2%	0 – 100%

APP-40 [Aux Mot Run] shows how many auxiliary motors are run by MMC control.

APP-41 [Starting Aux motor] defines the starting auxiliary motor for MMC control.

APP-42 [Auto Op Time] displays the operation time after Auto Change is accomplished.

APP-43 [Number of Aux] sets the number of auxiliary motors connected to the inverter.

APP-44 [F-in L-out] defines the stop order of auxiliary motor.

If it is set to 'Yes', first started motor will be stop later (FILO: First Input Last Ouput). If it is set to 'No', first started motor will be stop first (First Input First Output).

For example, auxiliary motor is started in the order of No.1 motor → No.2 motor → No.3 motor → No.4 motor,

If APP-44 is set to 'Yes', auxiliary motor will be stop in the order of No.4 motor → No.3 motor → No.2 motor → No.1 motor. If it is set to 'No', the order is opposite No.1 motor → No.2 motor → No.3 motor → No.4 motor.

APP-45 [ALL Stop] defines the stop method of aux. motor when motor is stop.

If it is set to 'Yes', auxiliary motor will be stop simultaneously. If not, auxiliary motor will be stop respectively with the APP-44 set order.

APP-47~50 [No.1~4 Aux motor starting frequency] sets the starting frequency of each auxiliary motor.

Inverter output frequency will be increased continuously when the flow pressure or quantity is lower than the set level.

- 1) The operation speed of main motor become higher than the set value in APP-44~50,
- 2) The delay time set in APP-58 is elapsed,
- 3) The difference of pressure between command value and feedback is higher than APP-71,

That is, Auxiliary contact AUX1~4 will be turned On in this order with above 3 conditions.

APP-51~54 [No.1~4 Aux motor stop frequency] sets the stop frequency of each auxiliary motor. The speed of main motor will be decreased by built-in PID controller when flow pressure or quantity exceeds.

- 1) The operation frequency of main motor become lower than the set value in APP-51~54,
- 2) The delay time set in APP-59 is elapsed,
- 3) The difference of pressure is lower than APP-72,

That is auxiliary contact AUX4~AUX1 will be turned Off in this order with 3 conditions.

APP-58 [Aux.starting delay time], APP-59 [Aux. stop delay time] sets the time by 0.1 unit the inverter waits before starting (stop) the auxiliary motors.

APP-41: Starting Auxiliary Motor Selection

APP▶ Starting Aux	
41	1

41

1

Factory Default:	1	1
------------------	---	----------

1

This code defines the starting auxiliary motor for MMC control.

APP-42: Operation Time Display on Auto Change

APP▶ Auto Op Time	42	00:00
42 00:00		

Factory Default: 00:00	00:00
------------------------	--------------

This code displays the operation time after Auto Change is accomplished.

APP-43: The Number of Aux. Motors

APP▶ Nbr Aux' s	43	4
43 4		

Factory Default: 4	4
--------------------	----------

Sets the number of auxiliary motors connected to the inverter.

APP-47~50: Start Frequency of Aux. Motor 1~4

APP▶ Start Freq 1	47	49.99
47 49.99 Hz		

Factory Default: 49.99 Hz	49.99
---------------------------	--------------

APP▶ Start freq4	50	49.99
50 49.99 Hz		

Factory Default: 49.99 Hz	49.99
---------------------------	--------------

The inverter turns on AUX1, AUX2, AUX3, and AUX4 if the output frequency is over the frequencies set in APP-47 to APP-50, respectively, the time is over APP-58 and pressure difference between reference and feedback value exceeds the value set in APP-71 [Actual Pr Diff].

APP-51~54: Stop Frequency of Aux. Motor 1~4

APP▶ Stop freq1	51	20.00
51 20.00 Hz		

Factory Default: 20.00 Hz	20.00
---------------------------	--------------

APP▶ Stop freq4	54	20.00
54 20.00 Hz		

Factory Default: 20.00 Hz	20.00
---------------------------	--------------

The inverter turns off AUX4, AUX3, AUX2 and AUX1 in this order if the output frequency is below the frequencies set in APP-51 to APP-54, respectively, the time is over APP-59 and the pressure difference between reference and feedback value decreases below the set value set in APP-71 [Actual Pr Diff].

**APP-58: Delay Time before Starting Aux. Motor
APP-59: Delay Time before Stopping Aux. Motor
APP-60, 61: Accel/Decel time when the number of pumps is increasing/decreasing**

APP▶ Aux Start DT	58	5.0
58 5.0 sec		

Factory Default: 5.0 sec	5.0
--------------------------	------------

Sets the time the inverter waits before starting the auxiliary motors.

APP▶ Aux Stop DT	59	5.0
59 5.0 sec		

Factory Default: 5.0 sec	5.0
--------------------------	------------

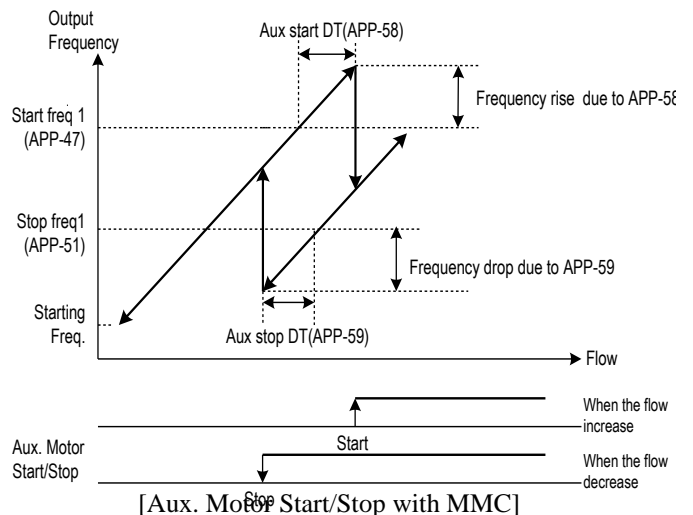
APP▶ Pid AccTime	60	2.0
60 2.0 sec		

Factory Default: 2.0 sec	2.0
--------------------------	------------

APP▶ Pid DecTime	61	2.0
61 2.0 sec		

Factory Default: 2.0 sec	2.0
--------------------------	------------

Sets the time the inverter waits for the input before stopping the auxiliary motors.

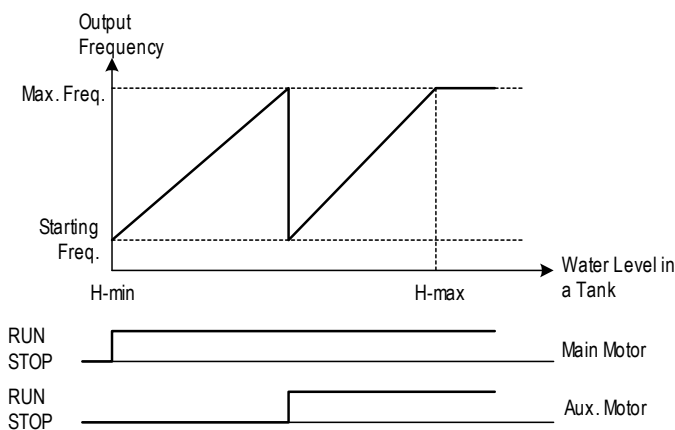


APP-58 and APP-59 sets the acceleration/ deceleration time of the Main motor by 0.1 sec when more/less aux motors are connected.

APP-62: PID Bypass Selection	
APP▶ Regul Bypass 62 No	62 0
Factory Default: No	0

This is used to bypass the PID operation selected in APP-02. Select this code to 'Yes' when using MMC function without PID control. The frequency is determined by actual value (feedback) of control amount instead of PID controller output. The actual value is also used as the Start/Stop reference of Aux. motors.

The following figure shows the running pattern with this function applied for controlling the flow rate of a tank. To control the flow rate proportional to the water level of a tank, divide the water level in the tank into the region for the number of Aux. motors plus one, and map each region by starting frequency to maximum frequency. The inverter increases output frequency to lower the water level in the tank when the water level in the tank rises. When reaching maximum frequency, inverter connects aux. motors connected directly to commercial line. After connecting aux. motor, inverter starts again from the starting frequency. By selecting APP-61 [Regul Bypass] to 'Yes', PID operation is disabled and Control Mode is changed to 'V/F'. PID Bypass is available only when DRV-04 [Freq. Mode] is set to 'V1', 'I' or 'Pulse'.



[PID bypass with Main motor and Aux. Motor]

To use MMC operation

- A. Set MMC in APP-01**
- B. Set Process PI to Yes in APP-02**
- C. Set Pre PID operation enable/disable**
 - a. Used for trial operation to check such as pipe damage before operation.
 - b. Used to know the starting set point before PID operation
- D. Set PID target value input method in APP-04**
 - a. Keypad, V1, I ...
 - b. Set target value
- E. Set PID Feedback input method in APP-06**
 - a. Set according to sensor used.
 - b. Analog input (4~20mA, 0~10V ...)
 - c. Check whether the setting performs well.
 - i. Pre-operation is needed.
 - ii. Checks whether output to feedback value is generated.
- F. Set Multi-motor driving sequence in APP-66**
 - a. Mode 0,1: Main motor and Aux motor used
 - i. Available motor: Main motor 1 + Aux motor 4 (+3 when Option is used)
 - b. Mode 2: Aux motor used
 - ii. Available motor: Aux motor 4 (+3 when Option is used)
- G. Set the number of Aux motor in APP-43**
- H. Set the starting Aux motor in APP-41**
- I. Set the start freq of Aux motor in APP-44~50**
- J. Set the stop freq of Aux motor in APP-51~57**
- K. Start operation.**

Detailed MMC function setting

- A. Energy-saving under light load**
 - Sleep, Wake up
- B. To easily and effectively use Process PID operation**
 - Pre PID
- C. To divide the load to the motor equally**
 - Auto Change
- D. To associate other conditions with Aux motor operation**
 - INTERLOCK
- E. Adjusting Aux motor ON/OFF condition and output (pressure, air/wind volume) variation**
- F. To change response characteristics**
 - It is related to PID control. Refer to Process PID description.

APP-66: Auto Change Mode Selection

APP▶ AutoCh_Mode	66	0
66		0

Factory Default:	0	0
------------------	---	----------

This function is used to change the running order of the motors to regulate their run-time when multiple motors are connected for MMC.

EXCH_NONE mode: Not using Auto Change Function

The inverter is driving the main motor, and tuning the relays ON to connect Aux motors. For example, starting from the Aux motor 3, inverter turns the relays ON from **RLY3** ⇒ **RLY4** ⇒ **RLY1** ⇒ **RLY2** and inverter will start the switching operation if inverter is run operation. If the number of pump is decreased, it turns off the aux motors oppositely from **RLY2** ⇒ **RLY1** ⇒ **RLY4** ⇒ **RLY3**.

AUX_EXCH mode: Auto Change Function is applied only to aux. motors.

On/Off sequence is the same as **EXCH_NONE mode**. However, the difference is that starting Aux motor is fixed in **EXCH_NONE mode** but it is automatically changed by inverter in **AUX_EXCH mode** to prevent a specific motor from overusing. For example, when Aux motors running order is **RLY1** ⇒ **RLY2** ⇒ **RLY3** ⇒ **RLY4** and then the Auto change condition is met, inverter turns the relay On from **RLY 2** ⇒ **RLY3** ⇒ **RLY4** ⇒ **RLY1**.

⚠Caution: EXCH_NONE, AUX_EXCH mode are available when a Main motor is directly connected to the Inverter.

MAIN_EXCH mode: Auto Change of Main/Aux motors.

All motors are connected to relays and operated via relays. The operation procedure is the same as **AUX_EXCH mode**, except that there is no main motor directly connected to Inverter.

**APP-67: Auto Change Time
APP-68: Auto Change Level**

APP▶ AutoEx-intv	67	72:00
67		72:00

Factory Default:	72:00	72:00
------------------	-------	--------------

APP▶ AutoEx-Freq	68	20.00
68		20.00 Hz

Factory Default:	20.00 Hz	20.00
------------------	----------	--------------

This function is used to protect motor from running alone for a long time by changing operation to other motor.

Auto Change is accomplished when the following conditions are satisfied:

- 1) The time set in APP-67 is over and it is **AUX_EXCH** mode.
- 2) The actual value of controlling amount is less than the value set in APP-68 and all Aux motors Off. (in **AUX_EXCH mode**)
- 3) One motor is running (in **MAIN_EXCH mode**).

When above three conditions are met, the inverter stops the running motor, and changes motor to run by the order set in APP-66 and then continues operation according to new order. Inverter starts counting only when auxiliary motor is running.

In **MAIN_EXCH** mode, when inverter output frequency is below Auto Change Level, inverter automatically stops the motor and perform Auto change function and operates next motor.

APP-69: Interlock Selection

APP▶ Inter-lock	69	0
69 No		

Factory Default: No	0
---------------------	----------

When APP-69 [Interlock selection] is set to “Yes”, M1~M4 can be used as the same activating condition for AX1~AX4. Programmable digital input terminals are activated when turned ON. If one of them are turned Off, all motors will start running except the motor connected to the off terminal. If the input signal is turned off in the midst of running, inverter stops all the motors and restarts the operation with normal active motors.

Interlock during Stop

When Run signal is input during Stop, MMC operation is started with the Aux motors(Relays) turned ON.

Ex) When Interlock is not selected:

RLY1→RLY2→RLY3→RLY4

When Interlock is active (the terminal defined as Interlock/RLY2 is turned Off):

RLY1→RLY3→RLY4

Interlock during RUN

When Interlock is active during RUN (the terminal defined as interlock/RLY is turned Off during RUN), inverter stops all motors and restart MMC operation with aux motors except the interlocked one(terminal turned Off).

Ex)Normal operation:

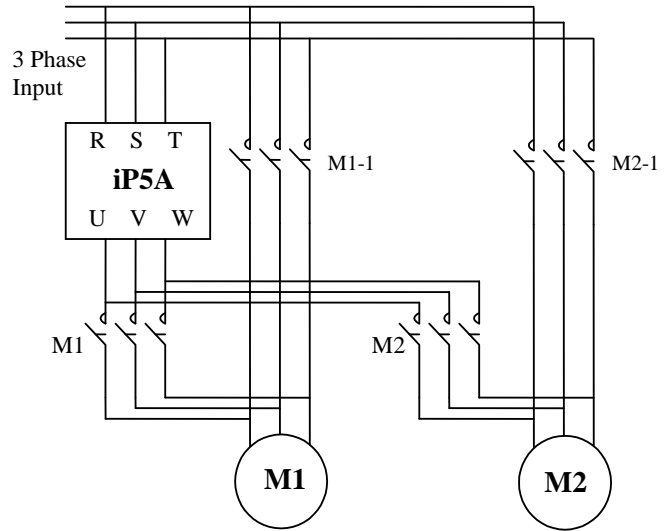
RLY1→RLY2→RLY3→RLY4

When Interlock is active (the terminal defined as Interlock/RLY3 is turned OFF), all Aux motors are turned Off and stopped. MMC operation is restarted except Aux motor 3 (RLY 3 Off).

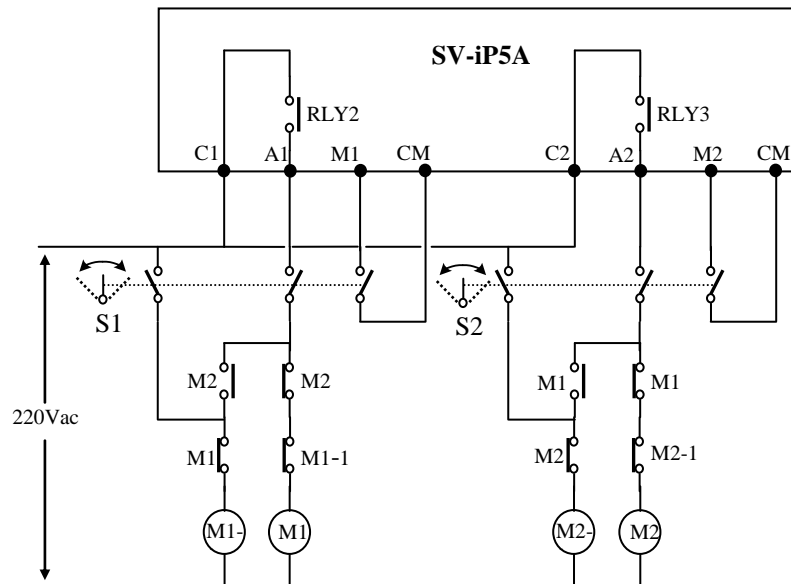
Aux motors start rotating in the order of

RLY1→RLY2→RLY4.

Please refer to the wiring example below when Interlock is used during Auto change MAIN_EXCH mode.



[Wiring Diagram for Inter-Lock Configuration]

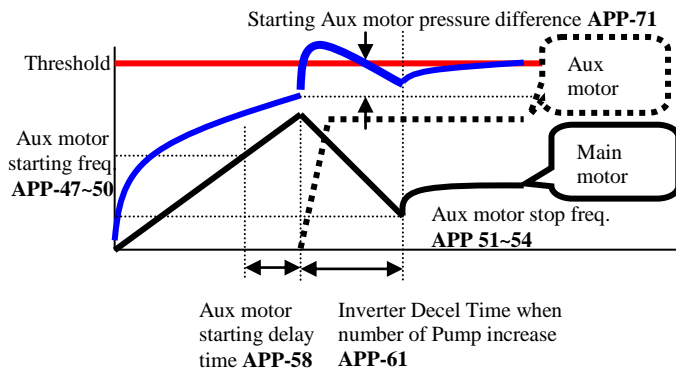


[Sequence Circuit for Inter-Lock Configuration]

Aux motor starting condition and output (Pressure, air volume..) adjustment

Inverter turns Aux motors ON automatically when it is impossible for a main motor to control increased load, causing shortage in flow rate or flow pressure. Maximum 4 Aux motors can be used. To turn on the 4 Aux motors automatically, starting frequency for each motor should be set.

Code	LCD Display	Description	Factory Default	Setting Range
APP-47 ~50	Start freq 1~4	Starting freq. of No.1~4 Aux. motor	49.99 Hz	0 - Max Freq.
APP-58	Aux start DT	Stop delay time of Aux. motor	5.0 sec	0 - 999.9 sec
APP-61	Pid Dec Time	Dec time when number of pump is increased.	2.0 sec	0 - 600.0 sec
APP-71	Aux Stt Diff	Difference of starting pressure of Aux motor	2%	0 - 100%



Aux motor active condition: Main motor speed exceeds Aux motor starting frequency (APP-47~50), for the time over APP-58[Aux motor starting delay time], Difference between PID reference and Feedback value exceeds APP-71 [Starting Aux motor pressure difference].

APP-47~50: Frequency to turn Aux motor ON. It is set the same as main motor frequency outputting equally when aux motor is turned ON.

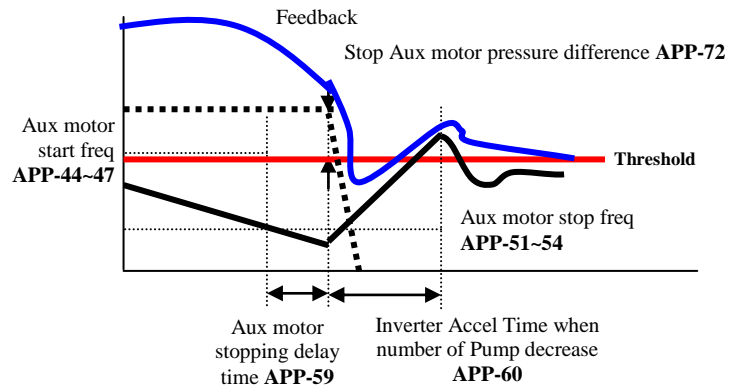
APP-58: It should be set greater than system delay time.

APP-71: It is set by comparing the pressure difference when Aux motor is turned ON and that of Aux motor starting frequency.

APP-61: This is the time inverter frequency is decreased after Aux motor is turned ON. It should be set higher than System delay time but it causes Aux motor ON state to become too long.

Aux motor stopping condition and output (Pressure, air volume..) adjustment

Inverter turns off the Aux motors when flow rate or flow pressure is too large due to decreased load. For Inverter to turn off Max 4 Aux motors automatically, 4 stopping frequency should be set separately.



Aux motors are opened when main motor rotates below APP-51~54 [Aux motor stopping frequency] for the time over APP-59 [Aux motor stopping delay time] and pressure difference between PID reference and Feedback value exceeds the set value in APP-71[Aux motor starting /stopping pressure difference].

APP-51~57: The Aux motors are turned off at this frequency. It is set as dF, whose output matches when Aux motor is off. (dF = Aux motor On Freq – Aux motor Off Freq)

APP-59: It should be set higher than System Delay Time.

APP-60: This is the time inverter frequency is increased after Aux motor is turned OFF. It should be set higher than System delay time but it causes Aux motor OFF state to become too long.

**APP-71: Pressure Difference for Aux Motor Start
APP-72: Pressure Difference for Aux Motor Stop**

APP▶Aux Stt Diff 71 2%	71	2
--------------------------------	-----------	----------

Factory Default: 2%	2
---------------------	----------

APP▶Aux Stp Diff 72 2%	72	2
--------------------------------	-----------	----------

Factory Default: 2%	2
---------------------	----------

It sets the pressure difference between when Aux motors are ON and Aux motor starting frequency.

APP-80~97: External PID operation

APP▶ Ext Ref Sel 81 KeyPad	81	3
------------------------------------	-----------	----------

Factory Default: KeyPad	3
-------------------------	----------

APP▶Ext Ref Perc 82 50.00%	82	50.00
------------------------------------	-----------	--------------

Factory Default: 50.00%	50.00
-------------------------	--------------

Code	LCD Display	Default	Range
APP-80	Ext PI mode	0 (No) 1 (Yes)	0 (No) 1 (Yes)
APP-81	Ext Ref Sel	3 (Key-Pad)	0 (I) 1 (V1) 2 (Pulse) 3 (Key-Pad)
APP-82	Ext Ref Perc	50.00 [%]	0 – 100.00 [%]
APP-83	Ext Fbk Sel	0 (I) 1 (V1) 2 (Pulse)	0 (I) 1 (V1) 2 (Pulse)
APP-85	ExtPID Pgain	1.0 [%]	0 – 999.9 [%]
APP-86	ExtPID Itime	10.0 [sec]	0 – 32.0 [sec]
APP-87	ExtPID Dtime	0 [msec]	0 – 2000 [msec]

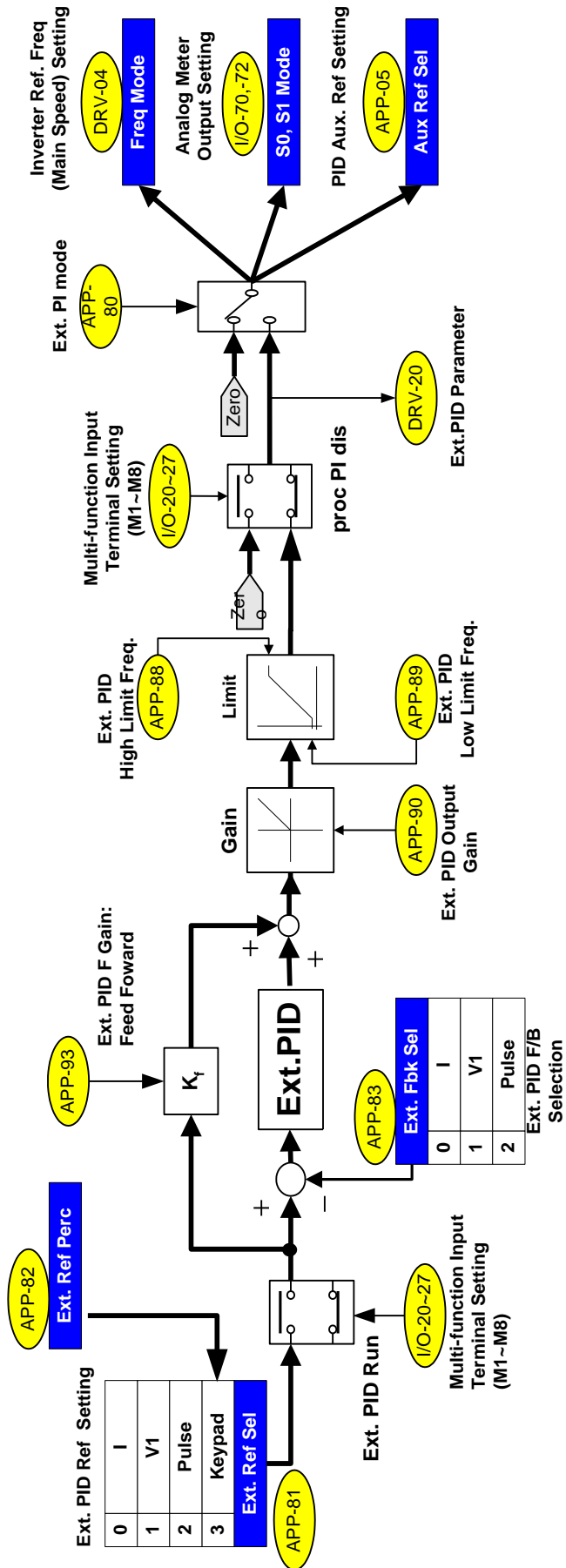
Code	LCD Display	Default	Range
APP-88	ExtPID lmt-H	100.00 [%]	0 – 100.00 [%]
APP-89	ExtPID lmt-L	0.00 [%]	0 – 30.00 [%]
APP-90	ExtPID Scale	100.0 [%]	0 – 999.9
APP-91	Ext P2-gain	100.0 [%]	0 – 999.9
APP-92	Ext P Scale	100.0 [%]	0 – 100.0
APP-93	ExtPID F-gain	0.0 [%]	0 – 999.9 [%]
APP-95	ExtPIDOut Inv	0 (No) 1 (Yes)	0 (No) 1 (Yes)
APP-97	Ext Loop Time	100 [msec]	50 – 200 [msec]

APP-80~96 setting value is the same as APP-02~17.

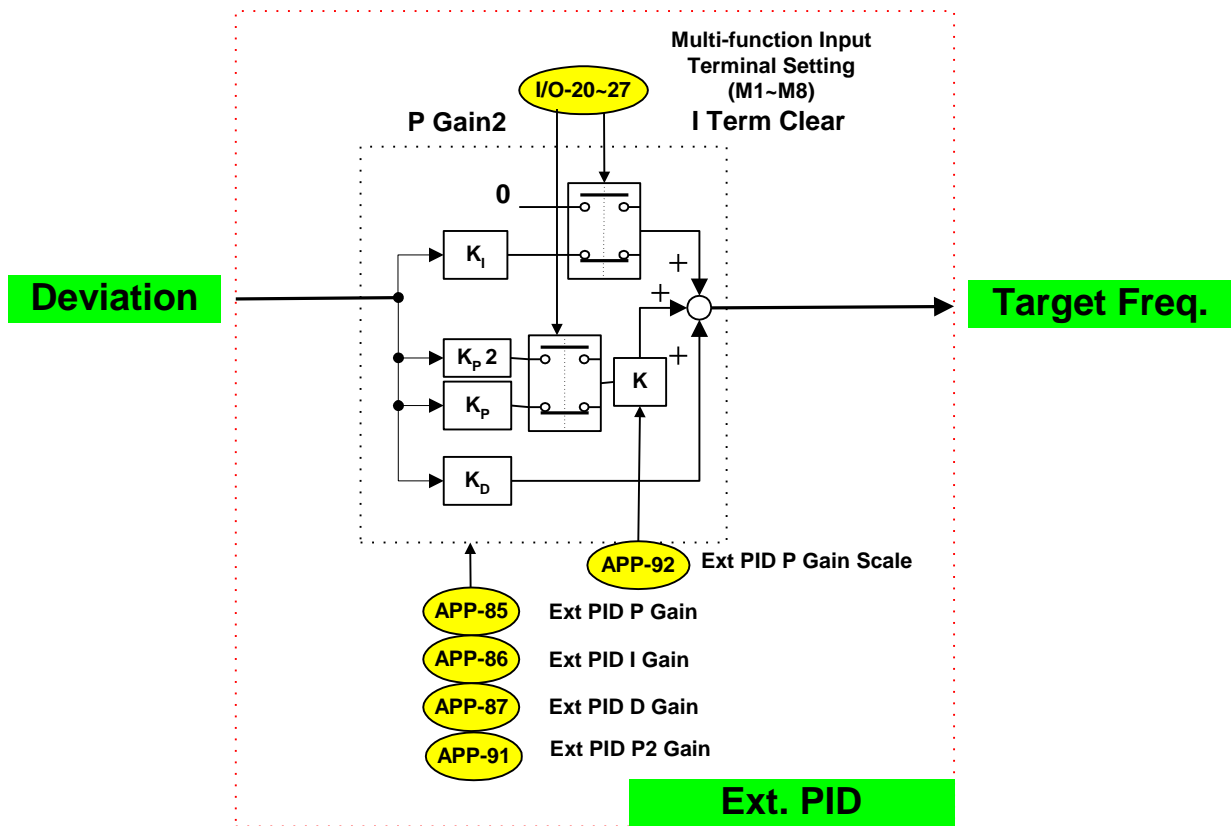
APP –82 [Ext PID Ref value] is settable when APP-81 [Ext PID Ref selection] is set to “Keypad”.

APP–97 [Ext PID Loop Time] sets the time to activate Ext PID controller. Set the desired value according to system.

Ext PID can be used for ①controlling other system independently as an external PID controller ② using both PID controller in APP-02 and External PID controller ③ using Ext PID output as an Inverter target frequency. See 10) APP-02, APP-80 (to use Dual PID operation) for more details.



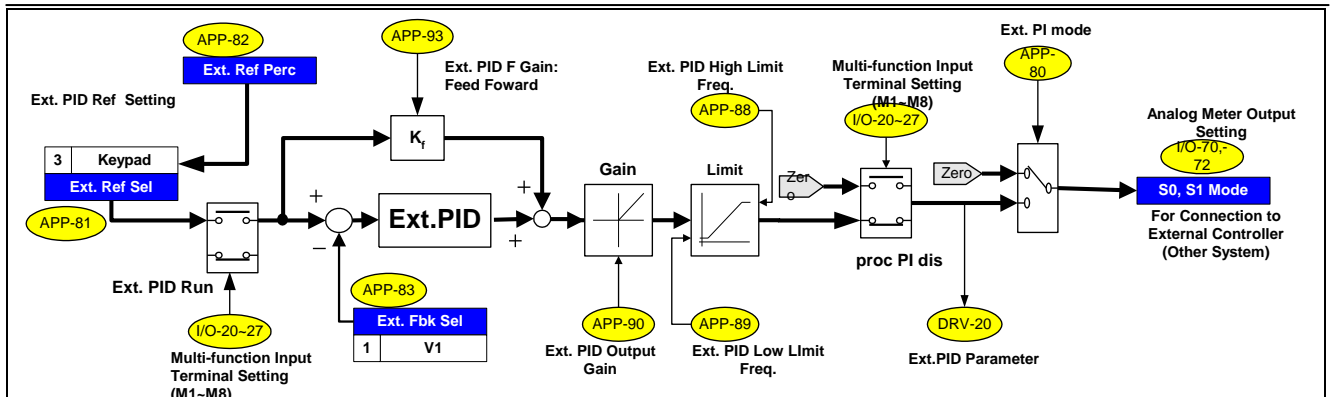
[Ext. PID internal block diagram]



APP-02 , APP-80 (to use Dual PID operation)

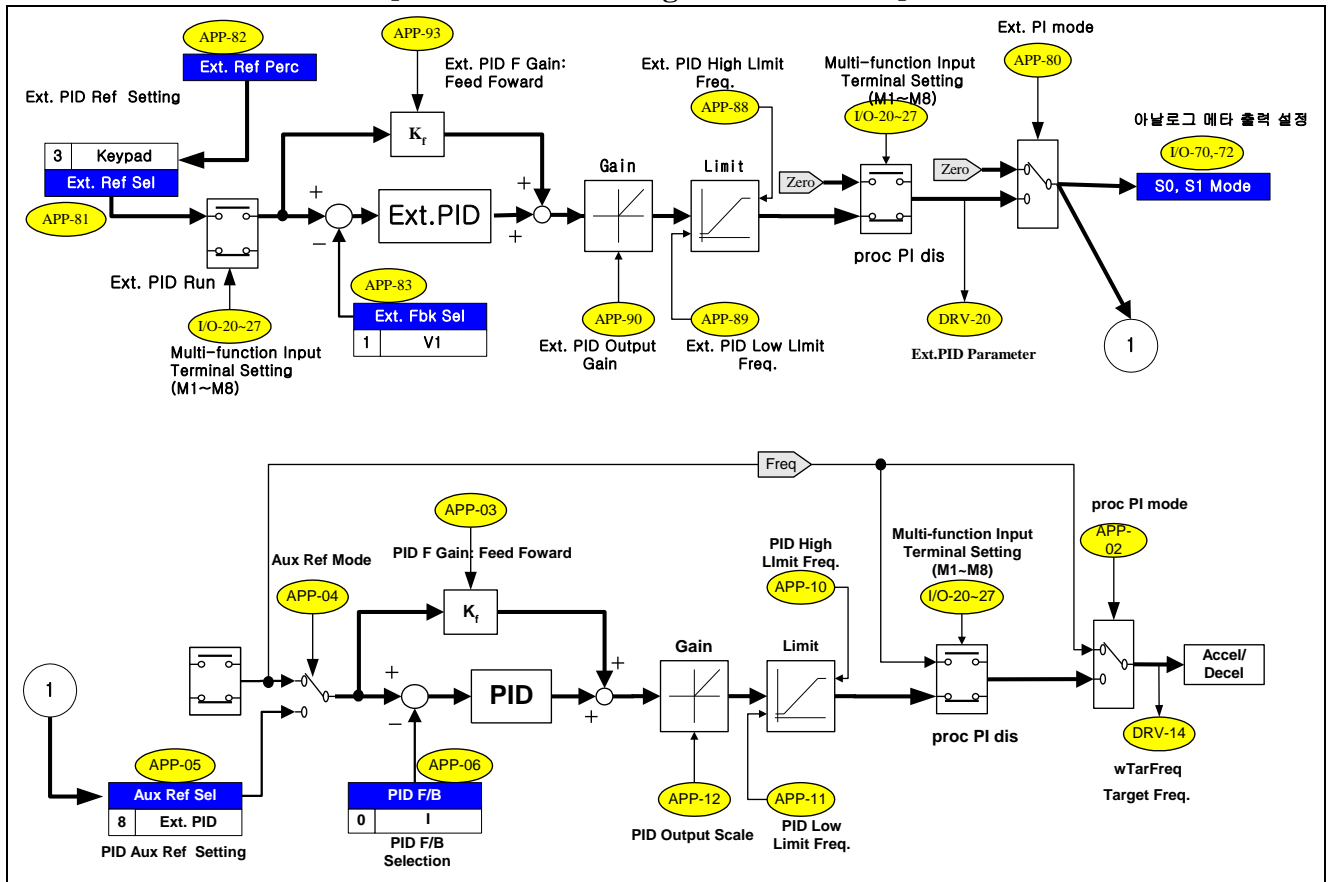
ExtPID can be used in the following three cases; ①controlling other system independently like an external PID controller ②using both PID controller in APP-02 and External PID controller ③using ExtPID output as an Inverter target frequency.

[Dual PID block diagram for case ①]



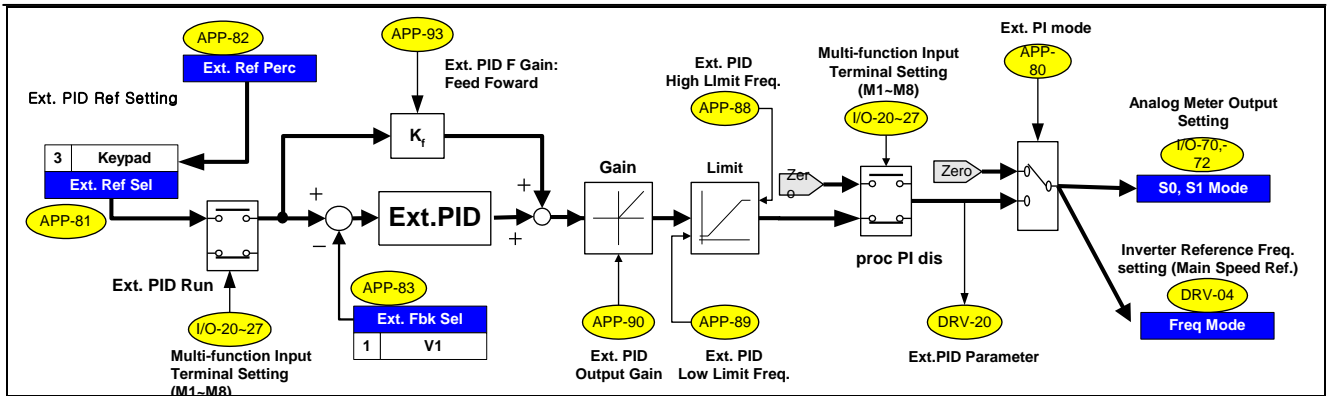
This illustrates controlling other system independently. Set I/O-70 or 72 [S0/S1 mode] to “Ext PID Out” and connect external system to S0 or S1 terminal. When Ext.PID Run signal is ON at the defined terminal in I/O-20~27, it starts output.

[Dual PID block diagram for case ②]



This illustrates dual use of PID controller (APP-02) and External PID controller. Set APP-81 [Ext. Ref Sel] to Analog Input (V1, I, or Pulse) and perform terminal wiring for analog input. To give the digital reference, set APP-81 [Ext. Ref Sel] to “Keypad” and set proper value in APP-82 [Ext. Ref Perc]. Set the Ext. PID Feedback among V1, I, Pulse in APP-83 and perform terminal wiring for analog input. External PID Ref. and feedback are connected to PID controller. When Ext.PID Run signal is ON to the defined terminal in I/O-20~27, it starts its output. S0/S1 terminal can be used to connect to other system.

[Dual PID block diagram for case ③]



ExtPID output can be used for inverter target frequency. To activate this function, set analog input (V1, I, Pulse) as a reference value to other system or set APP-81 [Ext. Ref Sel] to “Keypad” and set proper value in APP-82 [Ext. Ref Perc]. Set APP-83 [Ext. Fbk Sel] to Analog input (I, V1, Pulse) and conduct wiring. And set DRV-04 [Freq Mode] to “Ext. PID”, then ExtPID output functions as Inverter main speed reference (target frequency). When Ext.PID Run signal is ON in the defined terminal in I/O-20~27, it starts its output and inverter performs Accel/Decel with output frequency. Other system can be connected via S0/S1 terminal.

■ Notes :

CHAPTER 7 - TROUBLESHOOTING & MAINTENANCE

7.1 Fault Display

When a fault occurs, the inverter turns off its output and displays the fault status in DRV-12. The last 5 faults are saved in FU2-01 through FU2-05 with the operation status at the instance of fault. Reset the inverter when a fault occurs.

Keypad Display	Protective Function	Description
Over Current Over Current 1	Over Current Protection	The inverter turns off its output when the output current of the inverter flows more than 200% of the inverter rated current. This may cause danger or damage the drive so it requires double protection.
Ground Fault	Ground Fault Protection	The inverter turns off its output when a ground fault occurs and the ground fault current is more than the internal setting value of the inverter. Over current trip function may protect the inverter when a ground fault occurs due to a low ground fault resistance.
Over Voltage	Over voltage protection	The inverter turns off its output if the DC voltage of the main circuit increases higher than the rated value when the motor decelerates or when regenerative energy flows back to the inverter due to a regenerative load. This fault can also occur due to a surge voltage generated at the power supply system.
Over Load	Current Limit Protection (Overload Protection)	The inverter turns off its output if the output current of the inverter flows at 120% of the inverter rated current.
Over Heat	Inverter Over Heat	The inverter turns off its output if the heat sink is over heated due to a damaged cooling fan or an alien substance in the cooling fan.
E-Thermal	Electronic Thermal	The internal electronic thermal of the inverter determines the over heating of the motor. If the motor is overloaded the inverter turns off the output. The inverter cannot protect the motor when driving a multi-pole motor or when driving multiple motors, so consider thermal relays or other thermal protective devices for each motor. Overload capacity: 130% for 1 min
Ext. Trip	External Trip	Use this function if the user needs to turn off the output by an external trip signal. (Normal Open Contact) Inverter blocks the output to protect motor overload by detecting through this terminal.
Low Voltage	Low Voltage Protection	The inverter turns off its output if the DC voltage is below the detection level because insufficient torque or over heating of the motor can occurs when the input voltage of the inverter drops.
Over Current 2	IGBT Short	The inverter turns off the output if an IGBT short through or an output short occurs.
Output Phase Open	Output Phase open	The inverter turns off its output when the one or more of the output (U, V, W) phase is open. The inverter detects the output current to check the phase open of the output.
Input Phase Open	InputPhaseOpen	The inverter turns off its output if the one or more of the input (R, S, T) phase is open. The inverter detects the input current to check the phase open of the input. If smaller load is used, it can not be detected.
BX	BX Protection (Instant Cut Off)	Used for the emergency stop of the inverter. The inverter instantly turns off the output when the BX terminal is turned ON, and returns to regular operation when the BX terminal is turned OFF. Take caution when using this function.
HW-Diag	Inverter H/W Fault	A fault signal is output when an error occurs to the control circuitry of the inverter. There are the Wdog error, the EEP error, Input phase open, NTC open and the ADC Offset for this fault
COM Error CPU Error	Communication Error	This fault is displayed when the inverter cannot communicate with the keypad.
Inv. OLT	Inverter Overload	The inverter turns off its output when the output current of the inverter flows more than the rated level (110% for 1 minute, 130% for 4 seconds).
NTC open	NTC Open	This fault is displayed when inverter internal NTC is opened.

Keypad Display	Protective Function	Description
LOP LOR LOV LOI LOX	Operating Method when the Frequency Reference is Lost	According to the I/O-48 [Operating Method when the Frequency Reference is Lost] setting, there are three modes: continuous operation, decelerate to stop, and free run to stop, LOP: Displayed when option frequency reference is lost (DPRAM time out) LOR: Displayed when option frequency reference is lost (Communication network fault) LOV: Displayed when 'V1' analog frequency reference is lost. LOI: Displayed when 'I' analog frequency reference is lost. LOX: Displayed when sub-board (V2, ENC) analog frequency reference is lost.
Lost cmd		This fault is displayed when I/O 18 sets to Protection.
Fuse Open	Fuse Open	This fault is displayed when inverter internal fuse is opened by over current. (applied above 37 kW products)
Output Fault Trip	No Motor Trip	Trip has occurred according to setting of FU1 57~59.
Keypad Open	Keypad FLT	Indicates wire is separated from keypad. It is displayed only DRV-23 set to Fault.

To reset fault, Press **RESET** key, close RST-CM terminals or cycle the input power.
If a problem persists, please contact the factory or your local distributor.

Operation methods and fault display in case of frequency loss

- I/O-18 <Lost Command> is as below description

I/O-18 set data	Description
None	Keep the operation because frequency command is lost. (Factory default)
FreeRun	Free Run to stop because frequency command is lost.
Stop	Deceleration to stop because frequency command is lost.
Protection	Lost Cmd Trip because frequency command is lost.

- Load display when command is lost

LCD display	Description
LOP	Displayed when option command is lost (DPRAM Time out)
LOR	Displayed when option command is lost (Abnormal communication network)
LOV	Displayed when V1 analog frequency command is lost.
LOI	Displayed when I analog frequency command is lost.
LOX	Displayed when sub board (V2, ENC) frequency is lost.

If you want to check the previous state of inverter trip occurred and inverter trip description,

- Current faulty description

Code	Display	Description
DRV-7	Over Current	Displayed the current trip message. (Over current)

Use the **PROG**, **▲** and **▼** key before pressing the **RESET** key to check the fault content(s) such as output frequency, output current, and whether the inverter was accelerating, decelerating, or in constant speed at the time of the fault occurred. Press the **ENT** key to escape.
Press the **RESET** key to save the trip history in FU2-01~05.

- Last fault history
- This code displays up to five previous fault (trip) status of the inverter. The lowest numbered fault such as “Last trip 1” is the most recent. Previous state of inverter trip occurred and inverter trip description can be checked.

- FU2-06 [Erase trips] initializes the FU2-01~05 [Last trip-x]. It becomes the value of factory default.

Code	LCD display	Description
FU2-01	Last trip-1	Trip history 1
FU2-02	Last trip-2	Trip history 2
FU2-03	Last trip-3	Trip history 3
FU2-04	Last trip-4	Trip history 4
FU2-05	Last trip-5	Trip history 5

Reset the trip (Abnormal inverter state)

There are 3 kinds of reset methods. Auto restart number is initialized after reset the inverter.

1. Reset by [RESET] key in loader.
2. Cut off the RST-CM of terminal block of inverter control circuit.
3. Turn off the inverter power and turn on the inverter.

Protection function	LCD display	Description
Over Current 1 Protection	Over Current Over Current1	Inverter output cuts off when the inverter output exceeds 200% of th rated current..
Ground Fault Current Protection	Ground Fault	Inverter output cuts off when current above the prescribed amount flows due to earth in the inverter outputu part. Ground fault due to low ground resistor can be protective by over current trip.
Over Voltage Protection	Over Voltage	Inverter output cutss off when the DC current above the prescribed amount flows due to deceleration or regenerative energy. It can be occurred due to surge voltage from power system.

Chapter 7 - Troubleshooting & Maintenance

Fault Remedy

Protective Function	Cause	Remedy
Over Current Protection 1	<ol style="list-style-type: none"> 1) Acceleration/Deceleration time is too short compared to the GD^2 of the load. 2) Load is larger than the inverter rating. 3) Inverter turns output on when the motor is free running. 4) Output short or ground fault has occurred. 5) Mechanical brake of the motor is operating too fast. 6) Components of the main circuit have overheated due to a faulty cooling fan. 	<ol style="list-style-type: none"> 1) Increase Accel/Decel time. 2) Increase inverter capacity. 3) Operate after motor has stopped. 4) Check output wiring. 5) Check mechanical brake operation. 6) Check cooling fan. <p>(Caution) Operating inverter prior to correcting fault may damage the IGBT.</p>
Ground Fault Current Protection	<ol style="list-style-type: none"> 1) Ground fault has occurred at the output wiring of inverter. 2) The insulation of the motor is damaged due to heat. 	<ol style="list-style-type: none"> 1) Investigate the output wiring of inverter. 2) Exchange motor.
Over Voltage Protection	<ol style="list-style-type: none"> 1) Acceleration time is too short compared to the GD^2 of load. 2) Regenerative load at the output 3) Line voltage is high. 	<ol style="list-style-type: none"> 1) Increase deceleration time. 2) Use regenerative resistor option. 3) Check line voltage.
Current Limit Protection (Overload Protection)	<ol style="list-style-type: none"> 1) Load is larger than the inverter rating. 2) Incorrect inverter capacity selected. 3) Set incorrect V/F pattern. 	<ol style="list-style-type: none"> 1) Increase capacity of motor and inverter. 2) Select correct inverter capacity. 3) Select correct V/F pattern.
Inverter Overheat	<ol style="list-style-type: none"> 1) Cooling fan damaged or an alien substance inserted. 2) Cooling system has faults. 3) Ambient temperature high. 	<ol style="list-style-type: none"> 1) Exchange cooling fans and/or eliminate alien substance. 2) Check for alien substances in the heat sink. 3) Keep ambient temperature under 40 °C.
Electronic Thermal	<ol style="list-style-type: none"> 1) Motor has overheated. 2) Load is larger than inverter rating. 3) ETH level too low. 4) Incorrect inverter capacity selected. 5) Set incorrect V/F pattern. 6) Operated too long at low speeds. 	<ol style="list-style-type: none"> 1) Reduce load and/or running duty. 2) Increase inverter capacity. 3) Adjust ETH level to an appropriate level. 4) Select correct inverter capacity. 5) Select correct V/F pattern. 6) Install a cooling fan with a separate power supply.
External Trip	External Trip has occurred.	Eliminate Trip at circuit connected to external trip terminal or remove external trip input.
Low Voltage Protection	<ol style="list-style-type: none"> 1) Line voltage low. 2) Load larger than line capacity is connected to line. (welding machine, motor with high starting current connected to the commercial line) 3) Faulty magnetic switch at the input side of the inverter 	<ol style="list-style-type: none"> 1) Check line voltage. 2) Increase line capacity. 3) Exchange magnetic switch.
Over Current 2	<ol style="list-style-type: none"> 1) Short has occurred between the upper and lower IGBT. 2) Short has occurred at the output of the inverter. 3) Acceleration/Deceleration time is too short compared to the GD^2 of load. 	<ol style="list-style-type: none"> 1) Check IGBT. 2) Check output wiring of inverter. 3) Increase acceleration time.
Output Phase Open	<ol style="list-style-type: none"> 1) Faulty contact of magnetic switch at output 2) Faulty output wiring 	<ol style="list-style-type: none"> 1) Check magnetic switch at output of inverter. 2) Check output wiring.
H/W Fault	<ol style="list-style-type: none"> 1) Wdog error (CPU fault) 2) EEP error (memory fault) 3) ADC Offset (current feedback circuit fault) 	<ol style="list-style-type: none"> 1) Exchange inverter. 2) Check the input power wiring.
Communication Fault	<ol style="list-style-type: none"> 1) Faulty connection between inverter and keypad 2) Inverter CPU malfunction 	<ol style="list-style-type: none"> 1) Check connector. 2) Exchange inverter.
Operating Method when the Speed	<ol style="list-style-type: none"> LOP (Loss of reference from the Option), LOR (Remote) LOV (V1), 	Eliminate cause of fault.

Protective Function	Cause	Remedy
Reference is Lost	LOI (I), LOX (Sub-V2, ENC)	
Inverter Overload	1) Load is larger than inverter rating. 2) Incorrect inverter capacity selected.	1) Increase motor and/or inverter capacity. 2) Select correct inverter capacity.

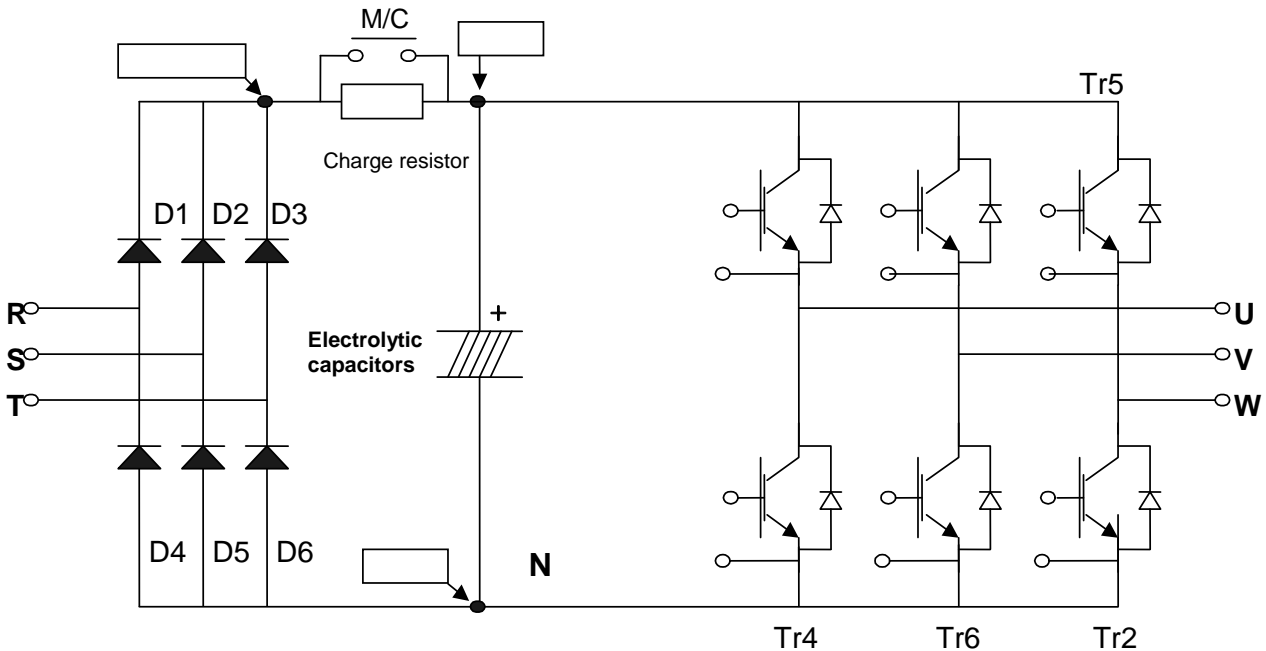
7.2 Troubleshooting

Condition	Checking Point
The Motor Does Not Rotate.	1) Main circuit inspection: - Is the input (line) voltage normal? (Is the LED in the inverter is lit?) - Is the motor connected correctly? 2) Input signal inspection: - Check the operating signal input to the inverter. - Check the forward and the reverse signal input simultaneously to the inverter? - Check the command frequency signal input to the inverter. 3) Parameter setting inspection: - Is the reverse prevention (FU1-01) function set? - Is the Drive mode (DRV-03) set correctly? - Is the command frequency set to 0? 4) Load inspection: - Is the load too large or is the motor jammed? (Mechanical brake) 5) Other: - Is the alarm displayed on the keypad or is the alarm LED lit? (STOP LED blinks)
The Motor Rotates in Opposite Directions.	- Is the phase sequence of the output terminal U, V, W correct? - Is the starting signal (forward/reverse) connected correctly?
The Difference Between the Rotating Speed and the Reference is Too Large.	- Is the frequency reference signal correct? (Check the level of the input signal) - Is the following parameter setting is correct? - Lower Limit Frequency (FU1-34), Upper Limit Frequency (FU1-35), Analog Frequency Gain (I/O-1~10) - Is the input signal line influenced by external noise? (Use a shielded wire)
The Inverter Does Not Accelerate or Decelerate Smoothly.	- Is the acceleration/deceleration time is set too short a period of time? - Is the load too large? - Is the Torque Boost (FU2-68, 69) value is too high that the current limit function and the stall prevention function do not operate?
The Motor Current is Too High.	- Is the load too large? - Is the Torque Boost Value (manual) too high?
The Rotating Speed Does Not Increase.	- Is the Upper Limit Frequency (FU1-35) value correct? - Is the load too large? - Is the Torque Boost (FU1-68, 69) value too high that the stall prevention function (FU1-71) does not operate?
The Rotating Speed Oscillates When the Inverter is Operating.	1) Load inspection: - Is the load oscillating? 2) Input signal inspection: - Is the frequency reference signal oscillating? 3) Other: - Is the wiring too long when the inverter is using V/F control? (over 500m)

7.3 How to Check Power Components

1) Diode module and IGBT module check (5.5~ 30kW)

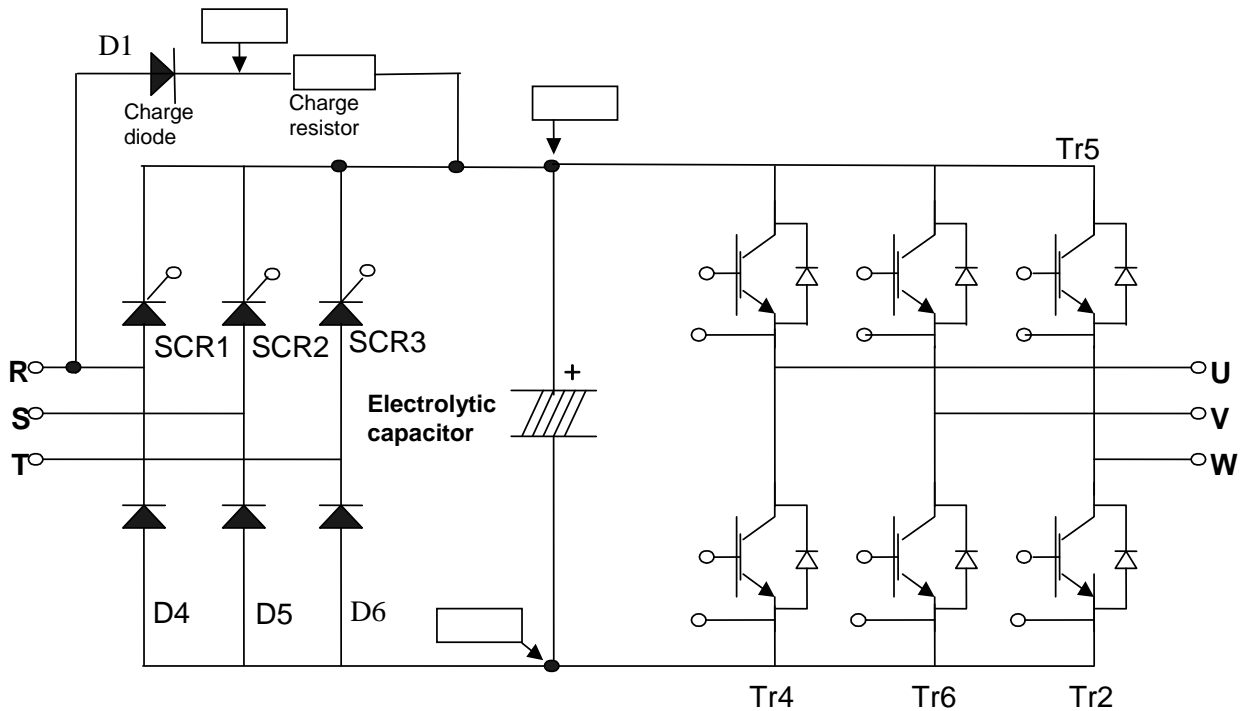
Before checking the power components, be sure to disconnect AC Input supply and wait until the Main Electrolytic Capacitors (DCP-DCN) is discharged.



- Turn the power off and disconnect RST/UVW wiring.
- Determine whether inverter terminals (R,S,T, U, V, W, P1(or P2),N) are energized or not using a tester.
- Wait until the Main Electrolytic Capacitors (DCP-DCN) is discharged to a safe level.
- Enormous amount of value such as Mega will be displayed when Open. When closed, the resistance value ranges from a few ohms to tens of Ω. Sometimes, it seems to be closed due to electrolytic capacitors but soon to be displayed mega value resistance.
- The displayed value is not always the same according to modules and tester types but should be similar.
- Modules number and checking point

Module		Test polarity		Check value	Number	Test polarity		Check value
		+	-			+	-	
Diode	D1	R	DCP+	Closed	D4	R	N	Open
		DCP+	R	Open		N	R	Closed
	D2	S	DCP+	Closed	D5	S	N	Open
		DCP+	S	Open		N	S	Closed
	D3	T	DCP+	Closed	D6	T	N	Open
		DCP+	T	Open		N	T	Closed
IGBT	Tr1	U	DCP	Closed	Tr4	U	N	Open
		DCP	U	Open		N	U	Closed
	Tr3	V	DCP	Closed	Tr6	V	N	Open
		DCP	V	Open		N	V	Closed
	Tr5	W	DCP	Closed	Tr2	W	N	Open
		DCP	W	Open		N	W	Closed

2) Diode module and IGBT module check (37~ 90kW)



- Turn the power off and disconnect RST/UVW wiring.
- Determine whether inverter terminals (R,S,T, U, V, W, P1(or P2),N) are energized or not using a tester.
- Wait until the Main Electrolytic Capacitors (DCP-DCN) is discharged to a safe level.
- Enormous amount of value such as Mega will be displayed when Open. When closed, the resistance value ranges from a few ohms to tens of Ω . Sometimes, it seems to be closed due to electrolytic capacitors but soon to be displayed mega value resistance.
- The displayed value is not always the same according to modules and tester types but should be similar.
- Modules number and checking point

Module		Test polarity		Check value	Number	Test polarity		Check value
		+	-			+	-	
Diode	D1	R	DCP+	Closed	D4	R	N	Open
		DCP+	R	Open		N	R	Closed
	D5	S	N	Open	D6	T	N	Open
		N	S	Closed		N	T	Closed
IGBT	Tr1	U	DCP	Closed	Tr4	U	N	Open
		DCP	U	Open		N	U	Closed
	Tr3	V	DCP	Closed	Tr6	V	N	Open
		DCP	V	Open		N	V	Closed
	Tr5	W	DCP	Closed	Tr2	W	N	Open
		DCP	W	Open		N	W	Closed

7.4 Maintenance

The iP5A series is an industrial electronic product with advanced semiconductor elements. However, temperature, humidity, vibration and aging parts may still affect it. To avoid this, it is recommended to perform routine inspections.

7.4.1 Precautions

- ☞ Be sure to remove the drive power input while performing maintenance.
- ☞ Be sure to perform maintenance only after checking that the bus has discharged (The voltage between terminal P1-N (or P2-N) should be less than DC 30V). The bus capacitors in the electronic circuit can still be charged even after the power is turned off.
- ☞ The correct output voltage can only be measured by using a rectifier voltage meter. Other voltage meters, including digital voltage meters, are likely to display incorrect values caused by the high frequency PWM output voltage of the drive.

7.4.2 Routine Inspection

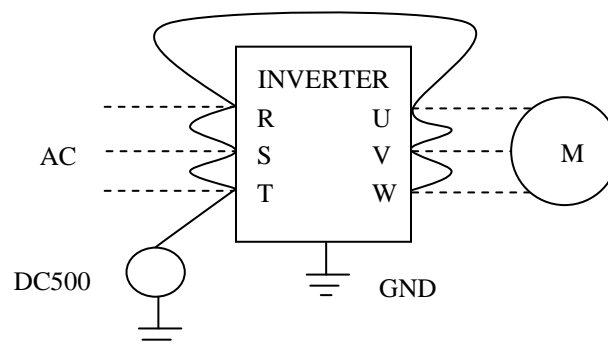
- ☞ Be sure to check the following before operation:
- ☞ The conditions of the installation location
- ☞ The conditions of the drive cooling
- ☞ Abnormal vibration or loud noise
- ☞ Abnormal heating or discoloration

7.4.3 Periodic Inspection

- ☞ Are there any loose bolt, nut or rust caused by surrounding conditions? If so, tighten them up or replace them.
- ☞ Are there any deposits inside the drive-cooling fan? If so, remove using air gun.
- ☞ Are there any deposits on the drive's PCB (Printed Circuit Boards)? If so, remove using air.
- ☞ Are there any abnormalities in the various connectors of the drive's PCB? If so, check the condition of the connector in question.
- ☞ Check the rotating condition of the cooling fan, the size and condition of the capacitors and the connections with the magnetic contactor. Replace them if there are any abnormalities.

7.4.4 Megger/Withstanding Voltage Test

Perform megger test after inverter wiring is disconnected. Test voltage should not be applied to the inverter. Megger test should be conducted only for the main circuit, not the control circuit. Use DC 500V megger. Dielectric test should not be conducted to the inverter. Otherwise, IGBT may be damaged.



7.4.5 Daily and Periodic Inspection Items

Inspection Location	Inspection Item	Inspection	Period			Inspection Method	Criterion	Measuring Instrument
			Daily	1 year	2 year			
All	Ambient Environment	Is there any dust? Is the ambient temperature and humidity adequate?	O			Refer to the precautions.	Temperature: -10~+40 no freezing. Humidity: Under 50% no dew	Thermometer, Hygrometer, Recorder
	Equipment	Is there any abnormal oscillation or noise?	O			Use sight and hearing.	No abnormality	
	Input Voltage	Is the input voltage of the main circuit normal?	O			Measure the voltage between the terminals R, S, T.		Digital Multi-Meter/Tester
Main Circuit	All	1) Megger check (between the main circuit and the ground) 2) Are any fixed parts removed? 3) Are there any traces of overheating at each component's cleaning?		O	O	1) Undo the inverter connections short the terminals R, S, T, U, V, W and measure between these parts and the ground. 2) Tighten the screws. 3) Visual check.	1) Over 5MΩ 2), 3) No fault	DC 500V class Megger
	Conductor/Wire	1) Is the conductor rusty? 2) Is the wire coating damaged?		O		Visual check	No fault	
	Terminal	Is there any damage?		O		Visual check	No fault	
	IGBT Module /Diode Module	Check the resistance between each of the terminals.			O	Undo the inverter connection and measure the resistance between R, S, T ⇔ P, N and U, V, W ⇔ P, N with a tester.	(Refer 'How to Check Power Components')	Digital Multi-Meter/Analog Tester
	Smoothing Capacitor	1) Is there any liquid coming out? 2) Is the safety pin out, and is there any swelling? 3) Measure the capacitance.	O	O		1), 2) Visual check 3) Measure with a capacitance-measuring device.	1), 2) No fault 3) Over 85% of the rated capacity	Capacitance Measuring Device
	Relay	1) Is there any chattering noise during operation? 2) Is there any damage to the contact		O		1) Auditory check 2) Visual check	No fault	
	Resistor	1) Is there any damage to the resistor insulation? 2) Is the wiring in the resistor damaged (open)?		O		1) Visual check 2) Disconnect one of the connections and measure with a tester.	1) No fault 2) Error must be within ±10% the displayed resistance.	Digital Multi-Meter/Analog Tester
Control Circuit Protective Circuit	Operation Check	1) Is there any unbalance between each phases of the output voltage? 2) Nothing must be wrong with display circuit after executing the sequence protective operation.		O	O	1) Measure the voltage between the output terminals U, V and W. 2) Short and open the inverter protective circuit output.	1) The voltage balance between the phases for 200V (400V) class is under 4V (8V). 2) The fault circuit operates according to the sequence.	Digital Multi-Meter/Rectifying Voltmeter
ng Syste	Cooling Fan	1) Is there any abnormal oscillation or noise? 2) Is the connection area loose?	O		O	1) Turn OFF the power and turn the fan by hand. 2) Tighten the connections.	1) Must rotate smoothly. 2) No fault	
Display	Meter	Is the displayed value correct?	O	O		Check the meter reading at the exterior of the panel.	Check the specified and management values.	Voltmeter/ Ammeter etc.
Motor	All	1) Are there any abnormal vibrations or noise? 2) Is there any unusual odor?	O			1) Auditory, sensory, visual check. 2) Check for overheat and damage.	No fault	
	Insulation Resistor	Megger check (between the output terminals and the ground terminal)			O	Undo the U, V and W connections and tie the motor wiring.	Over 5MΩ	500V class Megger

Note: Values in () is for the 400V class inverters.

Note: Life cycle of the Main components indicated above is based on continuous operation with rated load. It may vary with surrounded environment.

7.4.6 Parts replacement

Part name	Period	Comments
Cooling fan	2-3 years	Exchange for a new part after consulting LS A/S center.
Electrolytic capacitor	5 years	Check for the periodic inspection for 1 year. Exchange for a new part after consulting LS A/S center. The Recommended level to exchange a capacitor in main/control circuit is 85% or less of the initial value.
Relays	-	Exchange for a new part after consulting LS A/S center.

The life expectancy of a part depends on the type of part, the environment, and operating conditions.

CHAPTER 8 - OPTIONS

8.1 Option List

iP5A series is available to connect below option device.

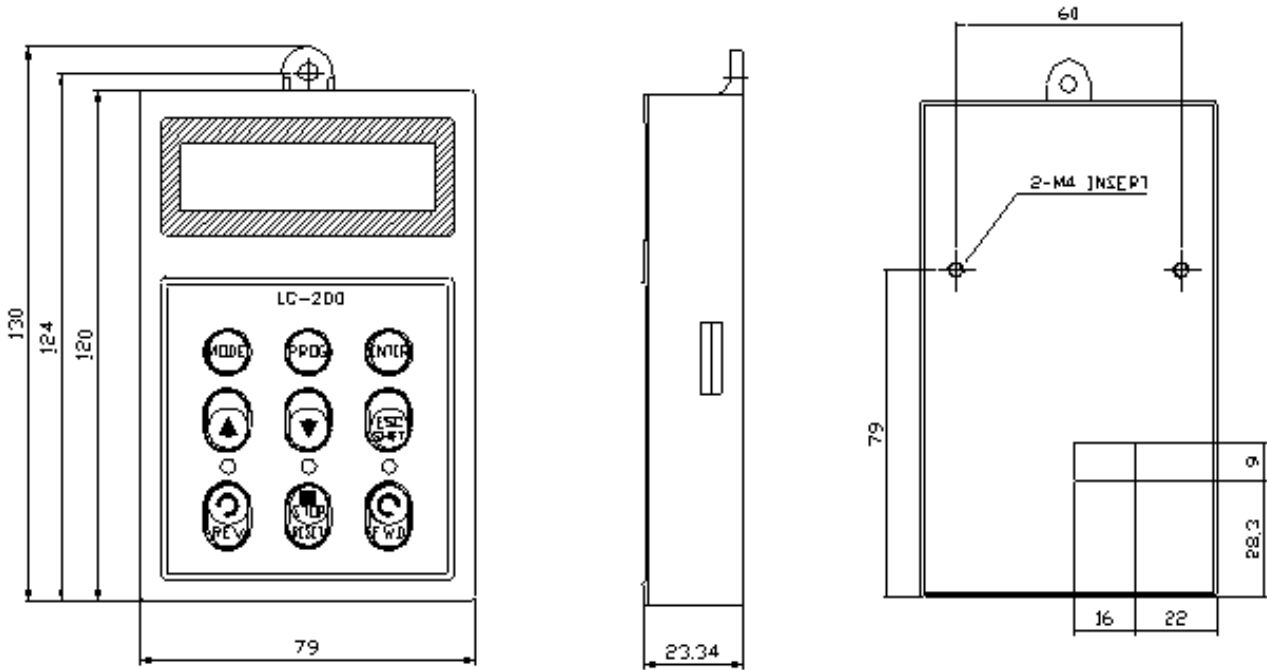
External	Keypad	LCD	32 character display keypad Download and Upload available	All units
	Remote	Remote cable	2m, 3m and 5m long keypad cable enables users to control the inverter from a distant area.	Optional
	Dynamic braking	DB resistor	To enhance the regenerative braking performance, it makes the inverter to accelerate/decelerate rapidly.	According to inverter capacity
		DB unit	If it need a regenerative braking, it is used with DB resistor.	
	Conduit option	Conduit for NEMA TYPE 1	Install it to fit for NEMA TYPE 1 Enclosure or IP20.	15~90kW (20~125HP)

Note) Refer to Option manuals for details.

8.2 External options

8.2.1 Keypad dimensions

1) LCD Keypad (Weight: 140 g)



8.2.2 Remote cable

Ordering No.	Description
051050025	Remote cable – 2m
051050026	Remote cable – 3m
051050027	Remote cable – 5m

8.2.3 Dynamic braking unit (DBU) and Resistors

Refer to DB Unit option manual for details.

1) Dynamic Braking Unit type

UL	Type	Inverter	motor rating	DB Unit	Dimension		
Non UL type	TYPE B	200V class	11 ~ 15 kW	SV150DBU-2	Group 7.		
			18.5 ~ 22 Kw	SV220DBU-2			
			30 ~ 37 kW	SV037DBH-2	Group 2.		
		400V class	11 ~ 15 kW	SV150DBU-4	Group 7		
			18.5 ~ 22 kW	SV220DBU-4	Group 2.		
			30 ~ 37 kW	SV037DBH-4	Group 2.		
			45 ~ 55 kW	SV075DBH-4	Group 3		
			75 kW				
			220kW	SV2200DB-4	Group 4		
			280~450 kW	SV2200DB-4, 2Set			
		TYPE C	200V class	11 ~ 15 kW	LSLV0150DBU-2LN	Group 7	
				18.5 ~ 22 Kw	LSLV0220DBU-2LN	Group 7	
	30 ~ 37 kW			LSLV0370DBU-2LN	Group 5		
	400V class		11 ~ 15 kW	LSLV0150DBU-4LN	Group 7		
				LSLV0220DBU-4LN	Group 7		
			30 ~ 37 kW	LSLV0370DBU-4LN	Group 5		
				LSLV0370DBU-4HN	Group 6		
			45 ~ 75 kW	LSLV0750DBU-4LN	Group 5		
			90 kW	LSLV0900DBU-4HN	Group 6		
			110~132 kW	LSLV1320DBU-4HN			
			160 kW	LSLV1600DBU-4HN			
			220 kW	LSLV2200DBU-4HN			
			280~450 kW	LSLV2200DBU-4HN, 2Set			
UL Type			TYPE A	200V class	11 ~ 15 kW	SV150DBU-2U	-
					18.5 ~ 22 kW	SV220DBU-2 U	-
					30 ~ 37 kW	SV370DBU-2 U	Group 1
				400V class	11 ~ 15 kW	SV150DBU-4 U	-
	18.5 ~ 22 kW	SV220DBU-4 U			-		
	30 ~ 37 kW	SV370DBU-4 U			Group 1		
	45 ~ 55 kW	SV550DBU-4 U					
	75 kW	SV750DBU-4 U					
	90~110 kW	SV550DBU-4U, 2Set					
	132~160 kW	SV750DBU-4U, 2Set					
	220 kW	-				-	
	280~315 kW	-			-		
	375~450 kW	-			-		

Chapter 8 - Options

2) Terminal Configuration

Group 1:

P	N	G	B1	B2
---	---	---	----	----

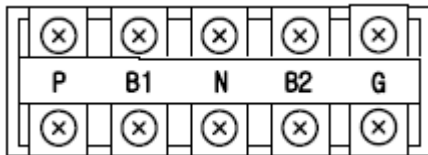
Group 2:

G	N	B2	P/B1
---	---	----	------

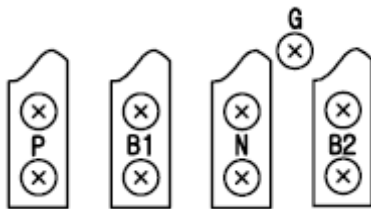
Terminals	Functions
G	Ground Terminal
B2	Terminal for connection with B2 of DBU
B1	Terminal for connection with B1 of DBU
N	Terminal for connection with N of Inverter
P	Terminal for connection with P1 of Inverter

Note: READ DBU User manual certainly when selecting DB resistors.

Group 3:



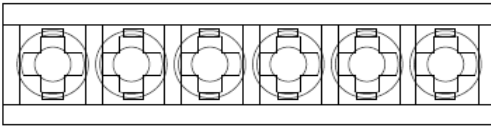
Group 4:



Terminals	Functions
G	Ground Terminal
B2	Terminal for connection with B2 of DBU
B1	Terminal for connection with B1 of DBU
N	Terminal for connection with N of Inverter
P	Terminal for connection with P of Inverter

Group 5:

P(+) N(-) B1 B2 N.C

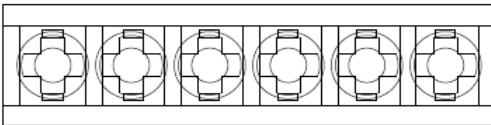


Terminals	Functions
P(+)	Terminal for connection with P of Inverter
N(-)	Terminal for connection with N of Inverter
B1	Terminal for connection with B1 of DBU
B2	Terminal for connection with B2 of DBU
N.C	Unused
E	Ground Terminal

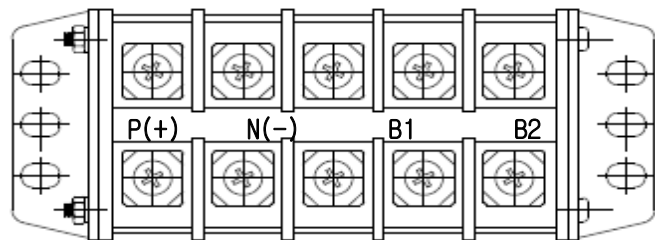
Group 6:

A Frame

P(+) N(-) B1 B2 N.C



B Frame / C Frame



Terminals	Functions
P(+)	Terminal for connection with P of Inverter
N(-)	Terminal for connection with N of Inverter
B1	Terminal for connection with B1 of DBU
B2	Terminal for connection with B2 of DBU
N.C	Unused
E	Ground Terminal

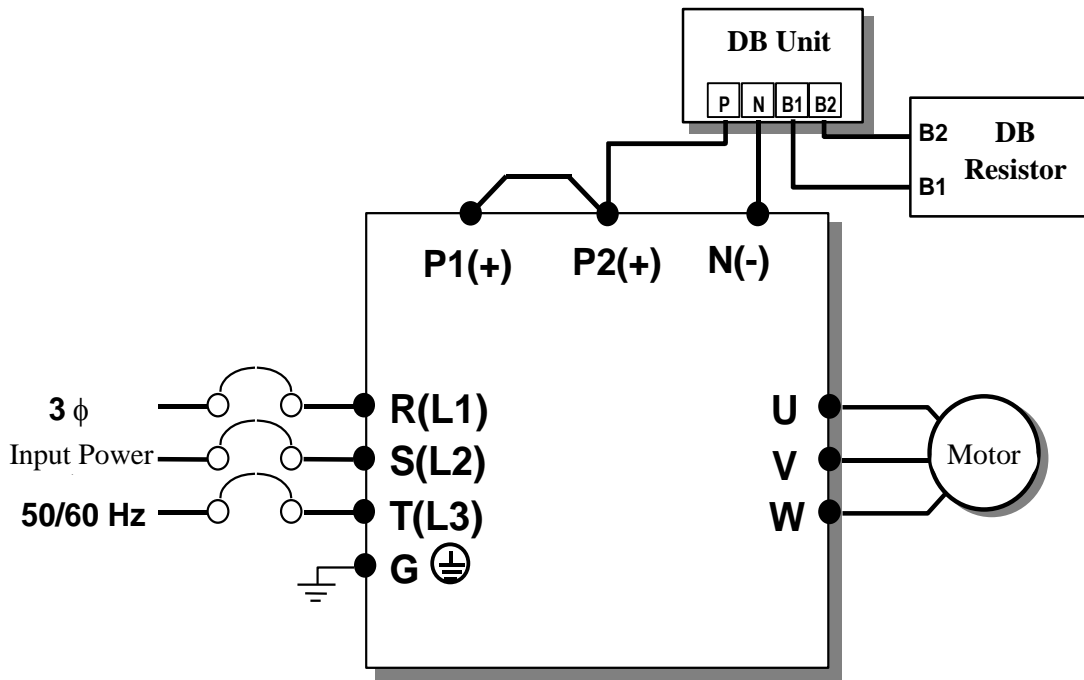
- Group 7:



⚠ Note

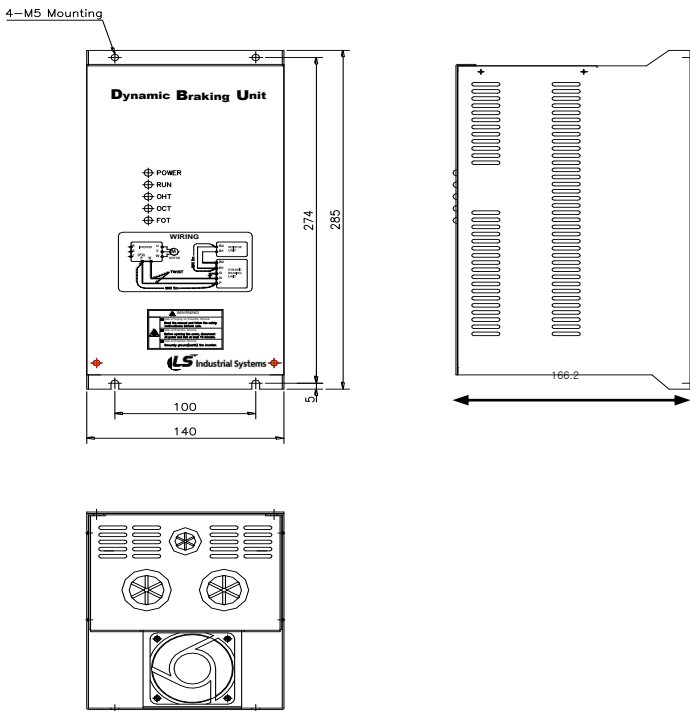
You must refer to dynamic braking unit manual for choice the braking resistor to use the dynamic braking unit.

3) Wiring for DB unit and DB resistor

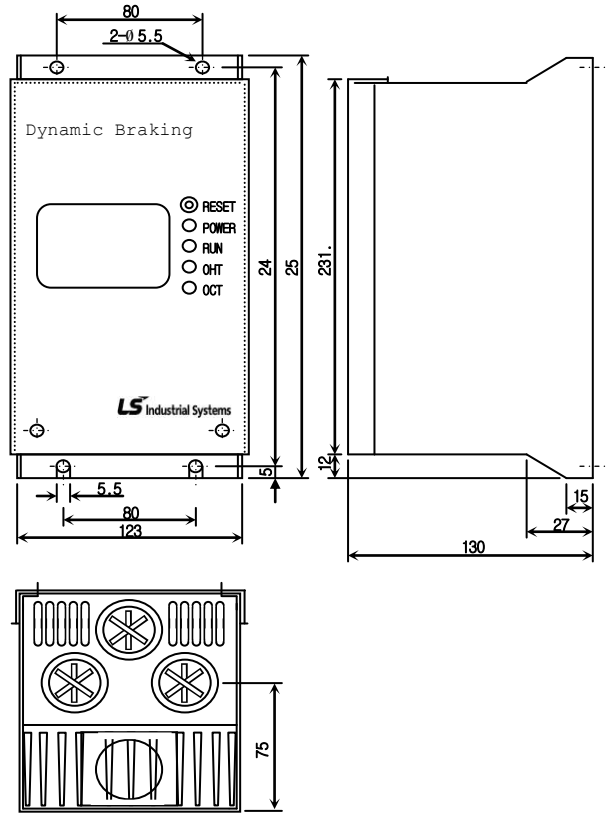


DB resistor terminal	Description
B1, B2	Wire the terminal properly based on wiring block diagram. Connect a DB resistor to the DB Unit's B1, B2 terminals.

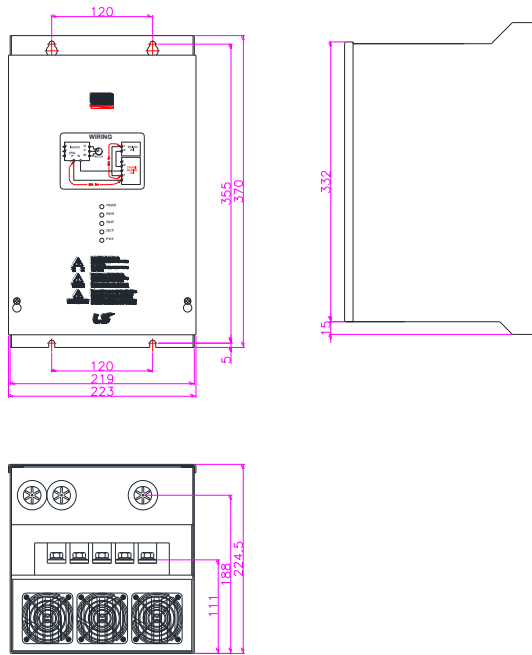
4) Dimensions
- Group 1



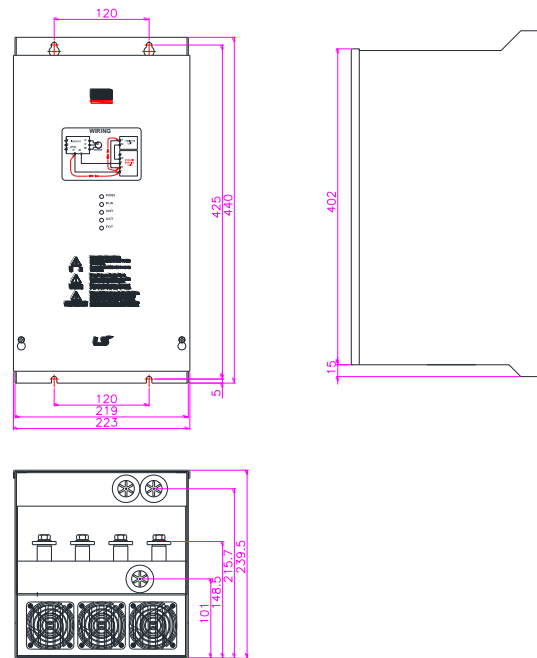
- Group 2



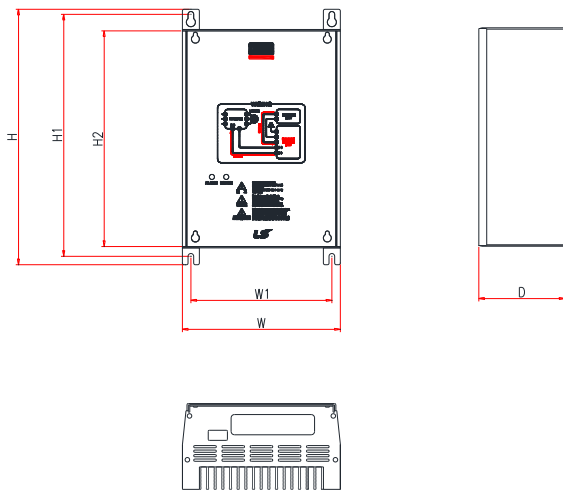
- Group 3



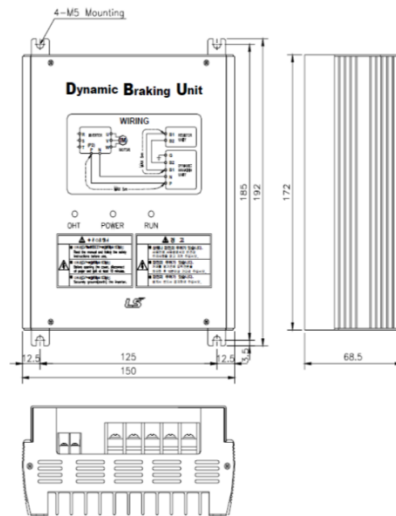
- Group 4



- Group 5

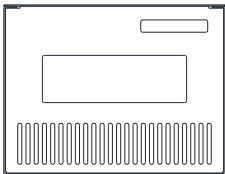
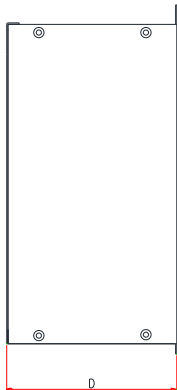
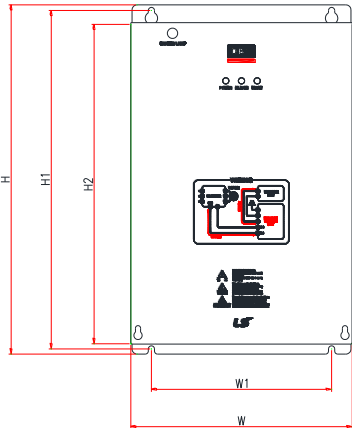


-Group 7



Voltage	Capacity of applied motor	Dimension (mm)				Hole position for installation		Weight	Hole size for installation
		W	H	H2	D	W1	H1		
[V]	[kW]							[kg]	(φ)
220	15	140	227.4	192	76.4	125	215.4	1.50	M4
	22							1.55	
	37							1.57	
	75							1.84	
440	15							1.53	
	22							1.55	
	37							1.56	
	75							1.85	

- Group 6



Frame	Voltage	Capacity of applied motor	%ED	Dimension (mm)				Hole position for installation		Cooling System	Weight	Hole size for installation
	[V]	[kW]		W	H	H2	D	W1	H1			
Frame A	220	37	50	200	219	190	165	160	208.5	Passive cooling	3.77	M6
	440	37	50							Forced cooling	3.84	
		75	50							Forced cooling	3.98	
Frame B	220	75	50	215	340	311		Passive cooling	8.26			
		90	50					Forced cooling	8.48			
	440	90	50					Passive cooling	8.30			
		132	50					Forced cooling	8.40			
Frame C	440	160	50	240	380	351		Passive cooling	9.40			
		220	50					Forced cooling	9.70			

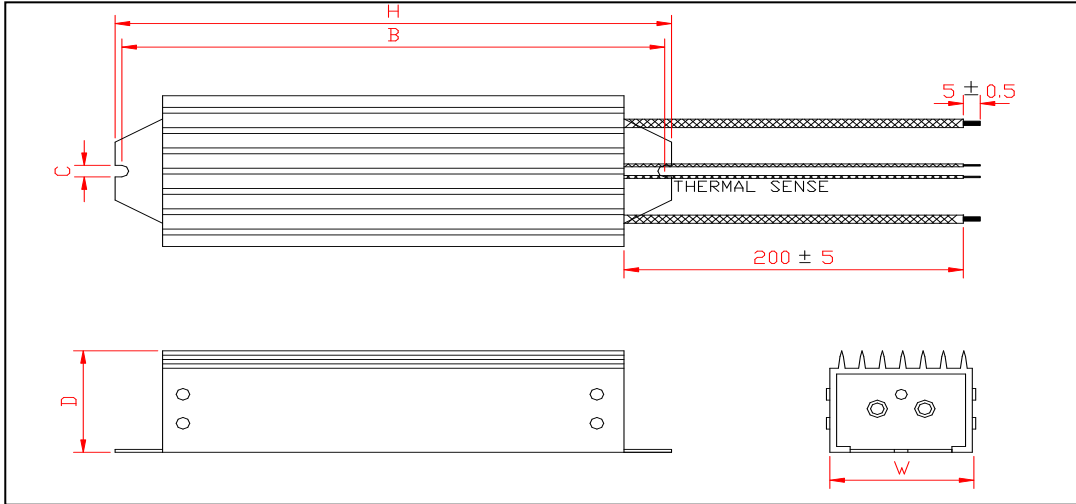
4 0 0 V C l a s s	22	SV220DBU-4U	BR3600W020J	20	3600	TYPE 3	13.3
	30	SV370DBU-4U	-	16.9	6,400	-	-
	37	SV370DBU-4U	-	16.9	6,400	-	-
	45	SV550DBU-4U	-	11.4	9,600	-	-
	55		-	11.4	9,600	-	-
	75	SV750DBU-4U	-	8.4	12,800	-	-
	90		-	4.5	15,000	-	-
	110		-	3.5	17,000	-	-
	132		-	3.0	20,000	-	-
	160		-	2.5	25,000	-	-
	185		-	2	30,000	-	-
	220		-	2	30,000	-	-
	280		-	1.5	40,000	-	-

3) Appearance and size of braking resistor

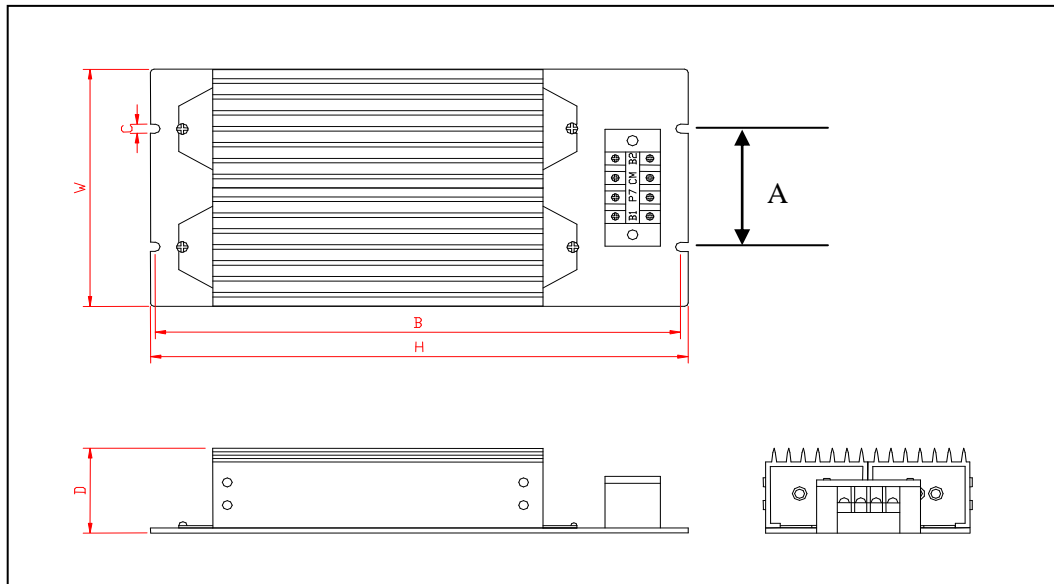
TYPE	Size [mm]					
	W	H	D	A	B	C
1	64	410	30	-	392	6
2	128	390	43	65	373	6
3	220	345	93	140	330	7.8
4	220	445	93	140	428	7.8
5	220	445	165	140	430	7.8

Chapter 8 - Options

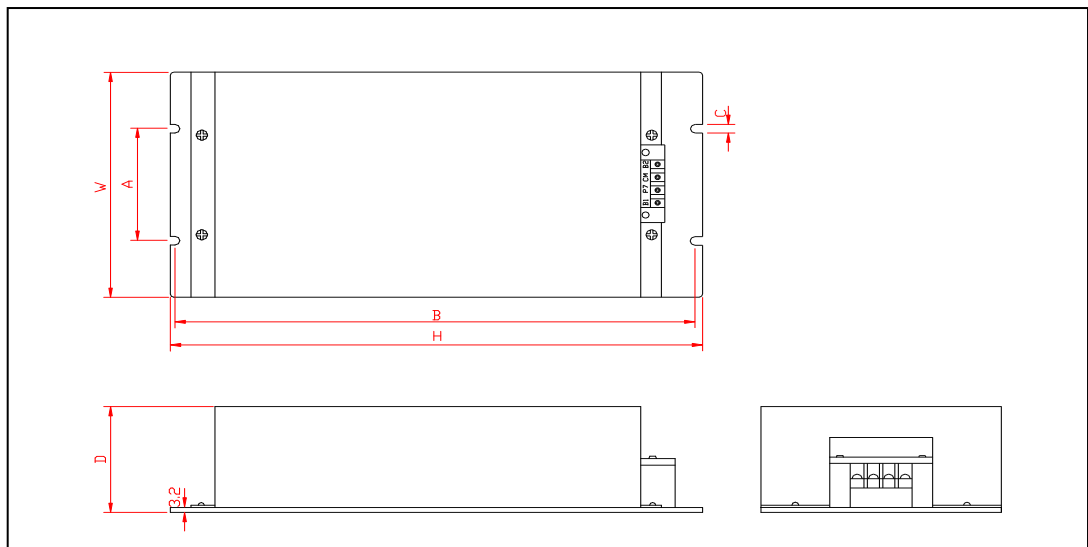
* Type 1 (Max 400 Watt)



* Type 2 (Max 600 Watt)



* Type 3



8.2.5 Micro surge filter (Designed for Inverter-driven 400V Class motor)

In the PWM type inverter, a surge voltage attributable to wiring constants is generated at the motor terminals. Especially for a 400V class motor, the surge voltage may deteriorate the insulation. When the 400V class motor is driven by the inverter, consider the following measures:

■ Rectifying the motor insulation

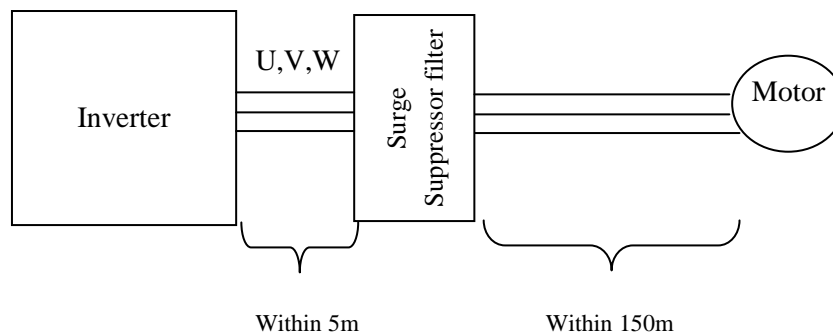
For the 400V class motor, use an insulation-rectified motor. Specifically, the “400V class inverter-driven, insulation-rectified motor”.

For the dedicated motor such as the constant-torque motor and low-vibration motor, use the “inverter-driven, dedicated motor”.

■ Suppressing the surge voltage on the inverter output side

On the secondary side of the inverter, connect the optional surge voltage suppression filter to reduce the motor terminal voltage less than 850 V.

■ Wiring



■ Caution

Check the Input/Output when wiring the filter.

Wiring distance from inverter output to filter input should not exceed 5 meter.

Wiring distance from filter to motor should not exceed 150 meter.

8.2.6 NEMA TYPE 1 Optional Conduit Box

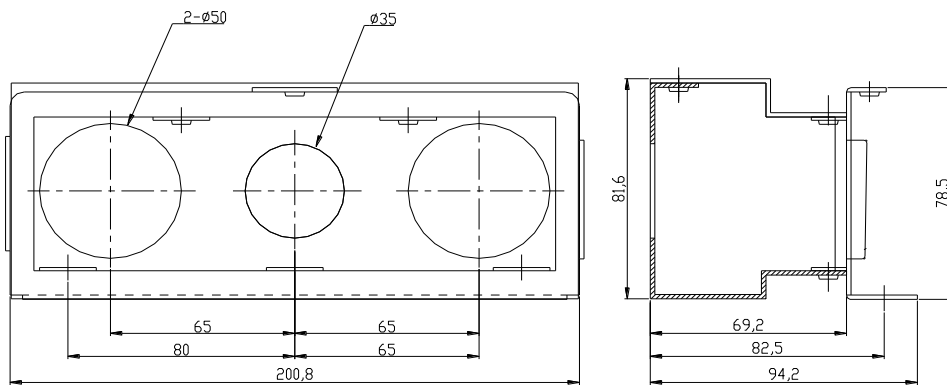
1) NEMA TYPE 1 Enclosure for conduit connection

■ General

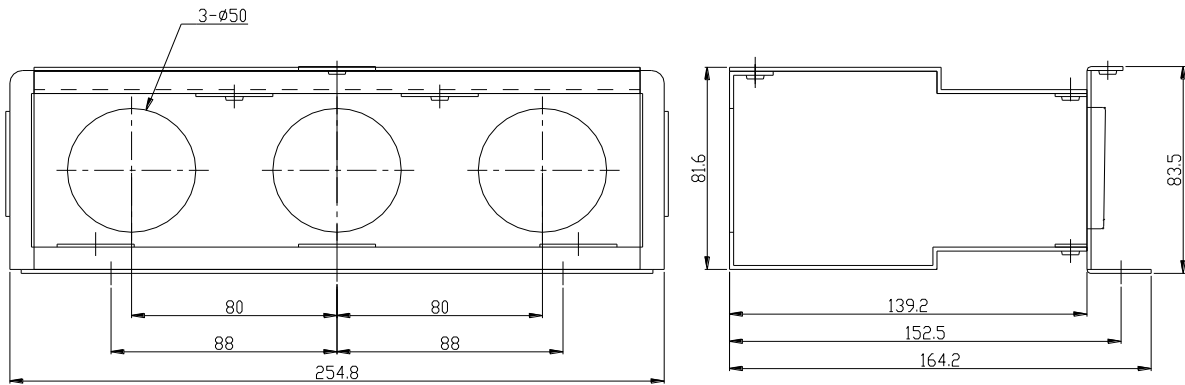
NEMA TYPE 1 Conduit Box: This kit enables an inverter to be installed on the wall without the inverter panel and meets NEMA Type 1. It should be installed to meet NEMA 1 for 15~90kW UL Open Type inverters. However, installing this option does not mean UL Type 1. Please purchase Standard UL Type 1 models if needed.

■ Installation:

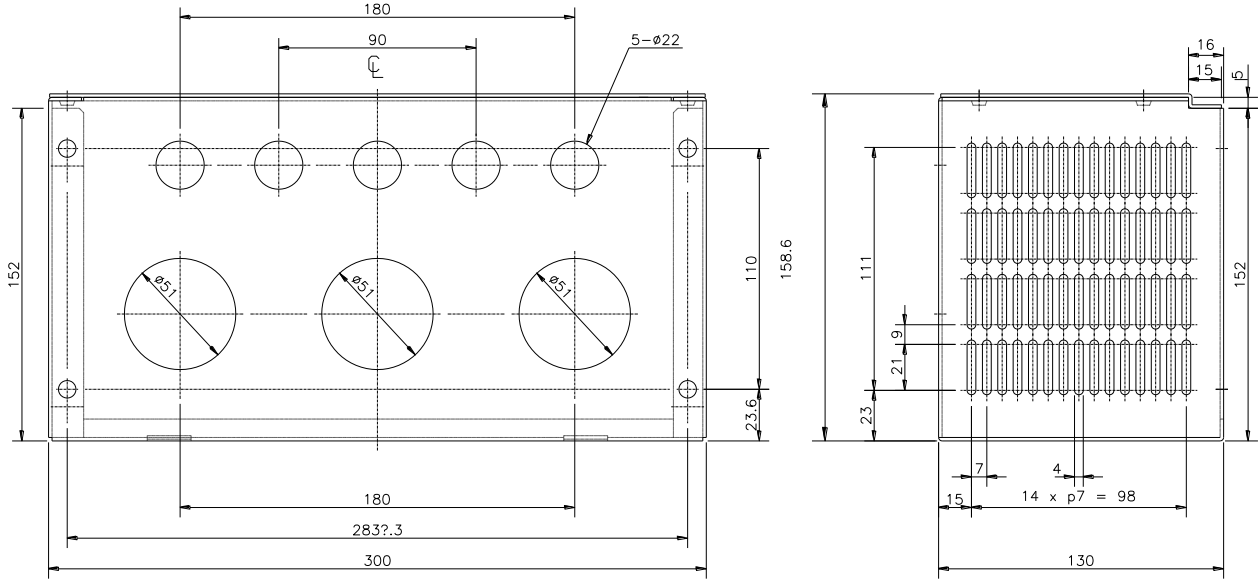
Remove the metal plate on the bottom with the driver and install this kit on to the same place by the screws from the metal plate.



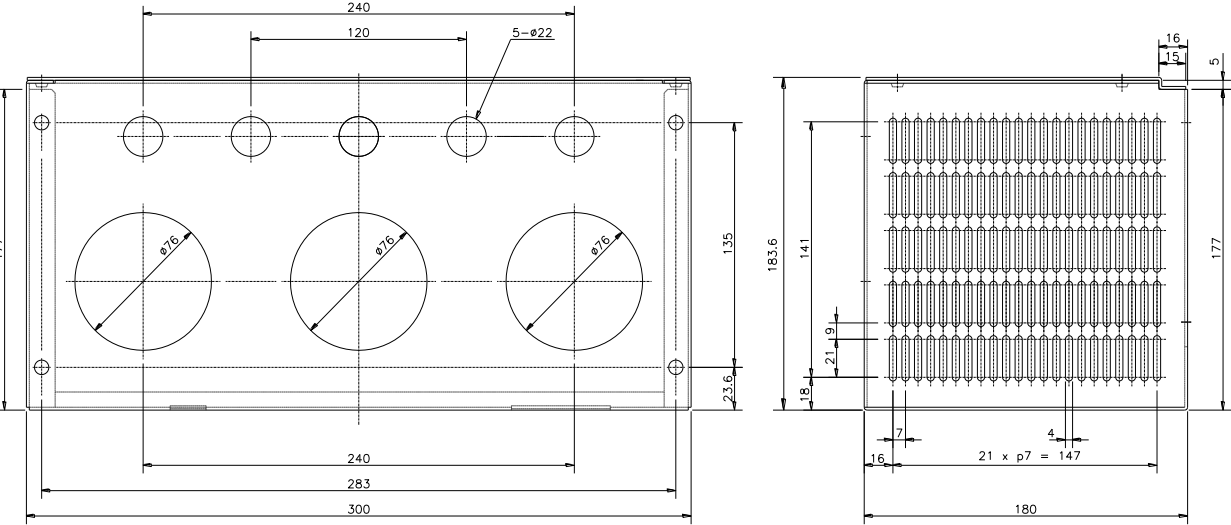
[Conduit box for 20~25 HP (15~18.5kW) iP5A]



[Conduit box for 30~40 HP (22~30 kW) iP5A]



[Conduit box for 50~75 HP (37~55kW) iP5A]



[Conduit box for 50~75 HP (75~90kW) iP5A]

■ Conduit Hole Size

mm(inches)

Inverter	Conduit hole for control terminal	Trade Size of the Conduit
	Conduit hole for power terminal	
SV008~055iP5A -2/4	24 (0.98)	16 (1/2)
	24 (0.98)	16 (1/2)
SV075iP5A-2/4	24 (0.98)	16 (1/2)
	35 (1.37)	27 (1)
SV110iP5A-2/4	24 (0.98)	16 (1/2)
	35 (1.37)	27 (1)
SV150iP5A-2/4	35 (1.37)	27 (1)
	50 (1.96)	41 (3/2)
SV185iP5A-2/4	35 (1.37)	27 (1)
	50 (1.96)	41 (3/2)
SV220iP5A-2/4	50 (1.96)	41 (3/2)
	50 (1.96)	41 (3/2)
SV300iP5A-2/4	50 (1.96)	41 (3/2)
	50 (1.96)	41 (3/2)
SV370iP5A-2/4	22(0.86)	16(1/2)
	51(2.00)	41(3/2)
SV450iP5A-2/4	22(0.86)	16(1/2)
	51(2.00)	41(3/2)
SV550iP5A-2/4	22(0.86)	16(1/2)
	51(2.00)	41(3/2)
SV750iP5A-2/4	22(0.86)	16(1/2)
	76(2.99)	63(5/2)
SV900iP5A-2/4	22(0.86)	16(1/2)
	76(2.99)	63(5/2)

☞ **Note: Choose the proper size of the Locknut, Bushing corresponding to trade size of the Conduit in use.**

CHAPTER 9 - RS485 COMMUNICATION

9.1 Introduction

Inverter can be controlled and monitored by the sequence program of the PLC or other master module.

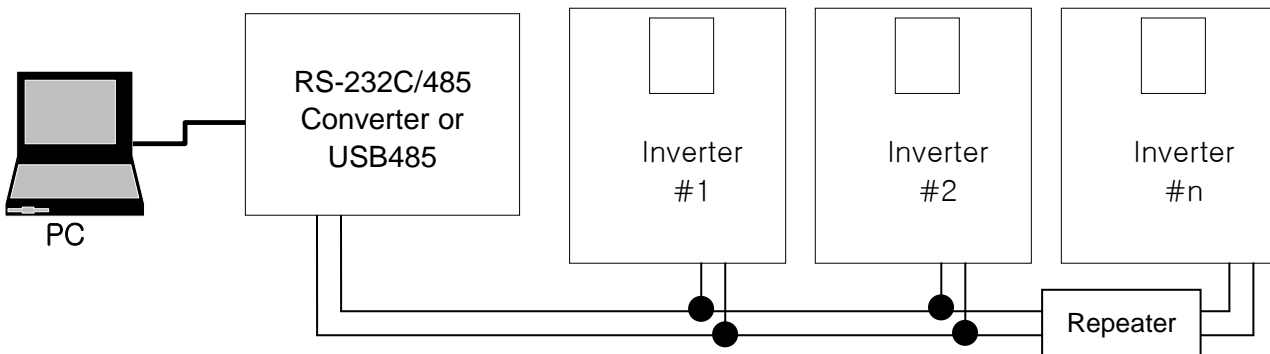
Drives or other slave devices may be connected in a multi-drop fashion on the RS-485 network and may be monitored or controlled by a single PLC or PC. Parameter setting and change are available through PC.

9.1.1 Features

Inverter can be easily applied for Factory automation because Operation and monitoring is available by User-program.

- * Parameter change and monitoring is available via computer.
(Ex: Accel/Decel time, Freq. Command etc.)
- * Interface type of RS485 reference:
 - 1) Allows the drive to communicate with any other computers.
 - 2) Allows connection of up to 31 drives with multi-drop link system.
 - 3) Noise-resistant interface.

9.1.2 Connection guide for RS485 communication with PC , PLC and RS232/485



* REPEATER is not a required item but helps communication in long-distance communication or high noise environment.

9.1.3 Before installation

Before installation and operation, this should be read thoroughly. If not, it can cause personal injury or damage to other equipment.

9.2 Specification

9.2.1 Performance specification

Item	Specification
Transmission form	Bus method, Multi-drop Link System
Applicable inverter	SV-iP5A series
Connectable drives	Max 31
Transmission distance	Max. 1,200m (Within 700m Recommended)
Recommended wire	0.75mm ² (12AWG), Shield Type Twisted-Pair Wire

9.2.2 Hardware specification

Item	Specification
Installation	Use C+, C-,CM terminals on control terminal block
Power supply	Use Insulated power from the inverter power supply

9.2.3 Communication specification

Item	Specification
Communication speed	19,200/9,600/4,800/2,400/1,200 bps selectable
Communication system	Half duplex system
Character system	ASCII (8 bit)
Stop bit length	1 bit
Sum check (CRC16)	2 byte
Parity bit	None
Protocol supported	Parameter Read/Write, Monitoring parameter register/execution Broadcasting

9.2.4 Installation

■ Connecting the communication line

- 1) Connect the RS485 communication line to the inverter's (C+), (C-) and CM terminals of the control terminals.
- 2) Connect the CM terminal among inverters for stable communication.
- 3) Check the connection and turn ON the inverter.
- 4) If the communication line is connected correctly set the communication-related parameters as the following.
- 5) Install a repeater to upgrade the communication speed or longer than 1200mm communication line is used. Repeater is required for upgrading communication quality in the noise-high environment.

■ Communication parameters

Code	Display	Name	Set value	Unit	Default
DRV_03	Drive mode	Drive mode	Int. 485		Fx/Rx-1
DRV_04	Freq mode	Freq mode	Int. 485		KeyPad-1
DRV_91	Drive mode2	Drive mode 2	KeyPad Fx/Rx-1 Fx/Rx-2		Fx/Rx-1
DRV_92	Freq mode2	Freq mode 2	KeyPad-1 KeyPad-2 V1 V1S I V1+I Pulse		KeyPad-1
I/O_20~27	M1 ~ M8	Programmable Digital Inputs	Main-drive		
I/O_90	Inv No	Inverter number	1~250		1
I/O_91	Baud rate	Communication speed	1200 bps 2400 bps 4800 bps 9600 bps 19200 bps		9600 bps
I/O_92	COM Lost Cmd	Operating mode when communication signal is lost	None FreeRun Stop		None
I/O_93	COM Time Out	Time to determine whether Communication signal is lost.	0.1~120.0	sec	1.0
I/O_94	Delay Time	Delay time of communication response	1 ~ 1200	msec	5

9.3 Operation

9.3.1 Operating steps

- 1) Check whether the computer and the inverter are connected correctly.
- 2) Turn ON the inverter. But, do not connect the load until stable communication between the computer and the inverter is verified. Start the operating program for the inverter from the computer.
- 3) If computer is a master, computer does not have RS485 port. RS232-485 converter is needed to communicate. The communication is delayed at transmitting/receiving when the RS232-485 converter is used. If delay is happened, retry the communication by increasing the I/O-94 [Delay Time].
- 4) Operate the inverter using the operating program for the inverter.
- 5) Refer to “13.8 Troubleshooting” if the communication is not operating normally.
- 6) User program or the “DriveView” program supplied from LSIS can be used as the operating program for the inverter.
- 7) Turn the inverter J3 switch ON to connect the terminating resistor for the end of network.

* Connect to C+,C-,CM terminal on the control terminal. Be careful for the polarity(+, -).

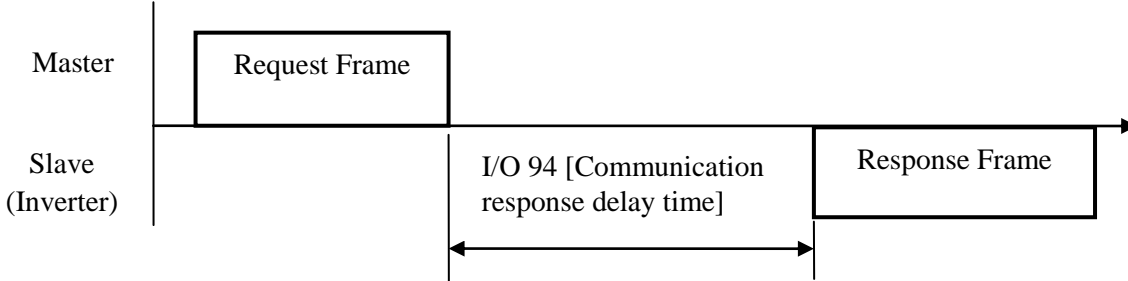
* Max connectable inverter is 31.

9.4 Communication protocol (RS485)

The configuration of RS485 is that PC or PLC is the Master and Inverter Slave.

Inverter responds the Master’s Read/Write Requests.

When master sends Write Request to Inverter address # 255, all inverters perform Write action but do not return a Acknowledge response. This is used to drive multiple inverters at the same time via RS485.



9.4.1 Basic format

1) Command message (Request):

ENQ	Inverter No.	CMD	Data	SUM	EOT
1 byte	2 bytes	1 byte	n bytes	2 bytes	1 byte

* Normal response (Acknowledge Response):

ENQ	Inverter No.	CMD	Data	SUM	EOT
1 byte	2 bytes	1 byte	n * 4 bytes	2 bytes	1 byte

* Negative response (Negative Acknowledge Response):

ENQ	Inverter No.	CMD	Data	SUM	EOT
1 byte	2 bytes	1 byte	2 bytes	2 bytes	1 byte

2) Description:

- * Request starts with “ENQ” and ends with “EOT”.
- * Acknowledge Response starts with “ACK” and ends with “EOT”.
- * Negative Acknowledge Response starts with ”NAK” and ends with “EOT”.
- * “Inverter Number” is the number of Inverters used and indicated in 2 byte ASCII-HEX. (ASCII-HEX: Hexadecimal consists of ‘0’ ~ ‘9’, ‘A’ ~ ‘F’)

* CMD: Capital letter (“IF Error” when small letter is used.)

Character	ASCII-HEX	Command
‘R’	52h	Read
‘W’	57h	Write
‘X’	58h	Request for monitoring registration
‘Y’	59h	Execution for monitoring registration

Data: ASCII-HEX

Ex) when data value is 3000: 3000 (dec) → ‘0’ ’B’ ’B’ ’8’h → 30h 42h 42h 38h

Error code: ASCII (20h ~ 7Fh)

Receive/Send buffer size: Receive= 39 byte, Send=44 byte

Monitor register buffer: 8 Word

SUM: to check the communication error

SUM= ASCII-HEX format of lower 8 bit of (Inverter No. + CMD + DATA)

Ex) Command Message (Request) for reading one address from address “9000”

ENQ	Inverter No.	CMD	Address	Number of address to read	SUM	EOT
05h	“01”	“R”	“9000”	“1”	“AD”	04h
1 byte	2 bytes	1 byte	4 bytes	1 byte	2 bytes	1 byte

$$\begin{aligned} \text{SUM} &= '0' + '1' + 'R' + '9' + '0' + '0' + '0' + '1' \\ &= 30h + 31h + 52h + 39h + 30h + 30h + 30h + 31h \\ &= 1ADh \text{ (except for ENA/ACK/EOT value)} \end{aligned}$$

9.4.2 Detail communication protocol

1) Request for Read: Request for read successive ‘N’ numbers of WORD from address “XXXX”

ENQ	Inv No	CMD	Address	Number of Address	SUM	EOT
05h	“01” ~ “FA”	“R”	“XXXX”	“1” ~ “8” = n	“XX”	04h
1 byte	2 byte	1 byte	4 byte	1 byte	2 byte	1 byte

Total byte = 12

The quotation marks (“ ”) mean character.

1.1) Acknowledge Response:

ACK	Inv No	CMD	Data	SUM	EOT
06h	“01” ~ “FA”	“R”	“XXXX”	“XX”	04h
1 byte	2 byte	1 byte	N * 4 byte	2 byte	1 byte

Total byte = 7 * n * 4 = Max. 39

1.2) Negative Acknowledge Response:

NAK	Inv No	CMD	Error code	SUM	EOT
15h	“01” ~ “FA”	“R”	“**”	“XX”	04h
1 byte	2 byte	1 byte	2 byte	2 byte	1 byte

Total byte = 9

2) Request for Write:

ENQ	Inverter No	CMD	Address	Number of Address	SUM	EOT	EOT
05h	“01” ~ “FA”	“W”	“XXXX”	“1” ~ “8” = n	“XXXX...”	“XX”	04h
1 byte	2 byte	1 byte	4 byte	1 byte	n * 4 byte	2 byte	1 byte

Total byte = 12 + n * 4 = Max. 44

2.1) Acknowledge response:

ACK	Inverter No.	CMD	Data	SUM	EOT
06h	“01” ~ “FA”	“W”	“XXXX...”	“XX”	04h
1 byte	2 byte	1 byte	n * 4 byte	2 byte	1 byte

Total byte = 7 + n * 4 = Max. 39

Note) When Request for Write and Acknowledge Response is exchanged between PC and Inverter for the first time, previous data is returned. From the second time of transmission, the current data will be received.

2.2) Negative response:

NAK	Inverter No.	CMD	Error code	SUM	EOT
15h	“01” ~ “FA”	“W”	“**”	“XX”	04h
1 byte	2 byte	1 byte	2 byte	2 byte	1 byte

Total byte = 9

3) Request for Monitor Register: This is useful when constant parameter monitoring and data updates are required.
Request for Register of ‘n’ numbers of Address (non-successive)

ENQ	Inverter No.	CMD	Number of Address	Address	SUM	EOT
05h	“01” ~ “FA”	“X”	“1” ~ “8”=n	“XXXX...”	“XX”	04h
1 byte	2 byte	1 byte	1 byte	n * 4 byte	2 byte	1 byte

Total byte = 8 + n * 4 = Max 40

3.1) Acknowledge Response:

ACK	Inverter No.	CMD	SUM	EOT
06h	“01” ~ “FA”	“X”	“XX”	04h
1 byte	2 byte	1 byte	2 byte	1 byte

Total byte = 7

3.2) Negative Acknowledge Response:

NAK	Inverter No.	CMD	Error code	SUM	EOT
15h	“01” ~ “FA”	“X”	“**”	“XX”	04h
1 byte	2 byte	1 byte	2 byte	2 byte	1 byte

Total byte = 9

4) Execution Request for monitor register: Request for read of address registered by monitor register.

ENQ	Inverter No.	CMD	SUM	EOT
05h	“01” ~ “FA”	“Y”	“XX”	04h
1 byte	2 byte	1 byte	2 byte	1 byte

Total byte = 7

4.1) Acknowledge response:

ACK	Inverter No.	CMD	Data	SUM	EOT
06h	“01” ~ “FA”	“Y”	“XXXX...”	“XX”	04h
1 byte	2 byte	1 byte	n * 4 byte	2 byte	1 byte

Total byte = 7 + n * 4 = Max 39

4.2) Negative response:

NAK	Inverter No.	CMD	Error code	SUM	EOT
15h	“01” ~ “FA”	“Y”	“**”	“XX”	04h
1 byte	2 byte	1 byte	2 byte	2 byte	1 byte

Total byte = 9

* Request for Monitor Register should be made before Execution Request for monitor register. If inverter power is turned off, monitor register is cleared so redo the request for monitor register when Power ON.

5) Error code

Error code	Description
IF	ILLEGAL FUNCTION When master is sending codes other than Function code (R, W, X, Y).
IA	ILLEGAL ADDRESS - When parameter address does not exist
ID	ILLEGAL VALUE - When Data contains an out of range value for an inverter parameter during ‘W’ (Write).
WM	WRITE MODE ERROR - When the requested data cannot be changed (written) during ‘W’ (Write) such as Read Only, Not adjustable during Run parameters.

9.5 Parameter code list

<Common area>: Area accessible regardless of inverter models (Note 3)

Address	Parameter	Unit	Unit	R/W	Data value
0x0000	Inverter model			R	9 : SV-iP5A
0x0001	Inverter capacity			R	0: 0.75kW(1HP) 1: 1.5kW(2HP) 2: 2.2kW(3HP) 3: 3.7kW(5HP) 4: 5.5kW(7.5HP), 5: 7.5kW(10HP), 6: 11kW(15HP), 7: 15kW(20HP), 8: 18.5kW(25HP), 9: 22kW(30HP), A: 30kW(40HP), B: 37kW(50HP), C: 45kW(60HP), D: 55kW(75HP), E: 75kW(100HP) F: 90kW(125HP) 10: 110kW(150HP) 11: 132kW(200HP) 12: 160kW(250HP) 13: 220kW(300HP) 14: 280kW(350HP) 15: 315kW(400HP) 16: 375kW(500HP) 17: 450kW(600HP)
0x0002	Inverter Input Voltage			R	0 : 220V Class 1 : 400V Class
0x0003	S/W Version			R	(Ex) 0x0100 : Version 1.00 0x0101 : Version 1.10
0x0005	Frequency Reference	0.01	Hz	R/W	
0x0006	Run Command (Option) (Note 1)			R/W	BIT 0: Stop (S) BIT 1: Forward run (F) BIT 2: Reverse run (R) BIT 3: Fault reset (0->1) BIT 4: Emergency stop BIT 5: Not used
				R	BIT 6, BIT 7: Run/Stop command source 0(Terminal), 1(Keypad), 2(Option) 3(Int. 485) BIT 8 ~14: Freq. reference 0 ~ 16: Multi-step speed freq. (0, 2~16) 17 ~ 19: UpDown (Up, Down, UD Zero) 20 ~ 21: RESERVED 22 ~ 25: Analog (V1, V1S, I, V1I) 26: Pulse 27: Sub 28: Int. 485 29: Option, 30: Jog, 31 : PID BIT 15: set when Network error
0x0007	Acceleration Time	0.1	sec	R/W	
0x0008	Deceleration Time	0.1	sec	R/W	
0x0009	Output Current	0.1	A	R	
0x000A	Output Frequency	0.01	Hz	R	
0x000B	Output Voltage	0.1	V	R	
0x000C	DC Link voltage	0.1	V	R	
0x000D	Output power	0.1	kW	R	
0x000E	Operating status of Inverter			R	BIT 0: Stop BIT 1: Forward running BIT 2: Reverse running BIT 3: Fault (Trip) BIT 4: Accelerating BIT 5: Decelerating

CHAPTER 9 – RS485 COMMUNICATION

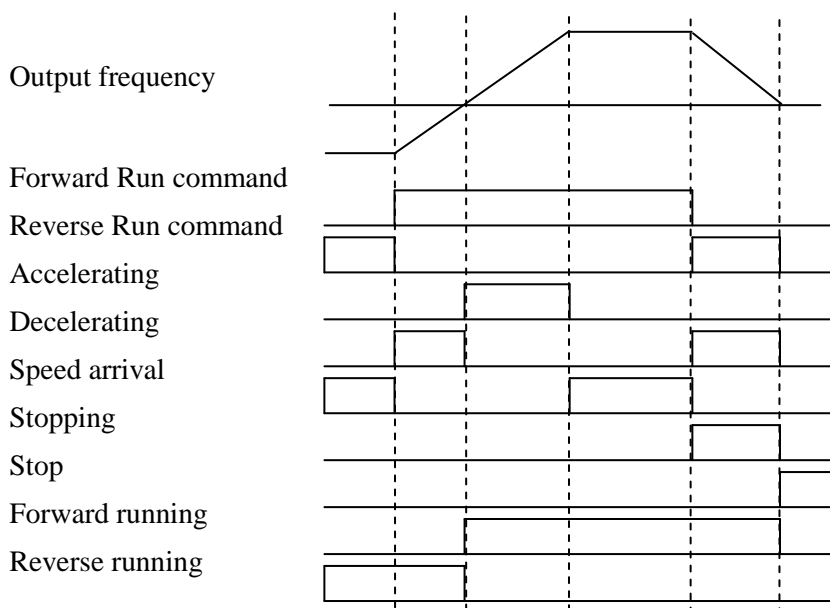
Address	Parameter	Unit	Unit	R/W	Data value
					BIT 6: speed arrival
0x000E	Operating status of Inverter			R	BIT 7: DC Braking BIT 8: Stopping Bit 9: not Used BIT10: Brake Open BIT11: Forward run command BIT12: Reverse run command BIT13: REM. R/S (Int. 485, OPT) BIT14: REM. Freq. (Int. 485, OPT)
0x000F	Trip information			R	BIT 0 : OCT1 BIT 1 : OV BIT 2 : EXT-A BIT 3 : BX BIT 4 : LV BIT 5 : RESERVE BIT 6 : GF(Ground Fault) BIT 6: OHT (Inverter overheat) BIT 7: ETH (Motor overheat) BIT 8: OLT (Overload trip) BIT10: HW-Diag BIT11: RESERVE BIT12: OCT2 BIT13: OPT (Option error) BIT14 : PO (Phase Open) BIT15: IOLT
0x0010	Input terminal status			R	BIT 0 : M1 BIT 1 : M2 BIT 2 : M3 BIT 3 : M4 BIT 4 : M5 BIT 5 : M6 BIT 6 : M7 BIT 7 : M8 BIT 8 : - BIT 9 : - BIT 10 : -
0x0011	Output terminal status			R	BIT 0 : AUX1 BIT 1 : AUX2 BIT 2 : AUX3 BIT 3 : AUX4 BIT 4 : - BIT 5 : - BIT 6 : - BIT 7 : 30AC
0x0012	V1	0~10V		R	
0x0013	V2	0~10V		R	
0x0014	I	0~20mA		R	

Address	Parameter	Unit	Unit	R/W	Data value
0x0015	RPM			R	
0x001A	Unit display			R	0 : Hz, 1 : Rpm
0x001B	Pole number			R	
0x001C	Custom Version			R	

Note 1) Detail description on Common area address 0x0006

Bit	Value	R/W	Name	Description
0	0x01	R/W	Stop	Issue a Stop command via communication (0->1)
1	0x02	R/W	Forward run	Issue a Forward run command via communication (0->1)
2	0x04	R/W	Reverse run	Issue a Reverse run command via communication (0->1)
3	0x08	R/W	Fault reset	Issue a Fault reset command via communication (0->1)
4	0x10	R/W	Emergency stop	Issue a Emergency stop command via communication (0->1)
5			Not used	Not Used
6~7		R	Operating command	0(Terminal),1(keypad),2(option),3(Int. 485)
8~14		R	Frequency command	A. When operating command is issued via Terminal, Keypad or Option 0: DRV-00, 1: Not used, 2 : Multi-step speed 1, 3 : Multi-step speed 2, 4 : Multi-step speed 3 5 : Multi-step speed 4, 6 : Multi-step speed 5, 7 : Multi-step speed 6 8 : Multi-step speed 7, 9 : Multi-step speed 8, 10 : Multi-step speed 9 11: Multi-step speed 10, 12: Multi-step speed 11, 13: Multi-step speed 12 14: Multi-step speed 13, 15 : Multi-step speed 14 , 16 : Multi-step speed 15, 17 :Up, 18 : Down, 19: Up/Down Zero 20~21 : RESERVE 22 : V1, 23 : V1S, 24 : I, 25 : V1+I 26 : Pulse 27 : Sub 28 : Int. 485 29 : Option 30 : Jog 31 : PID
15	0x8000	R	Network error	Network malfunction

9.5.1 iP5A operating status in Address E, Common area



< iP5A Address usage area by groups >

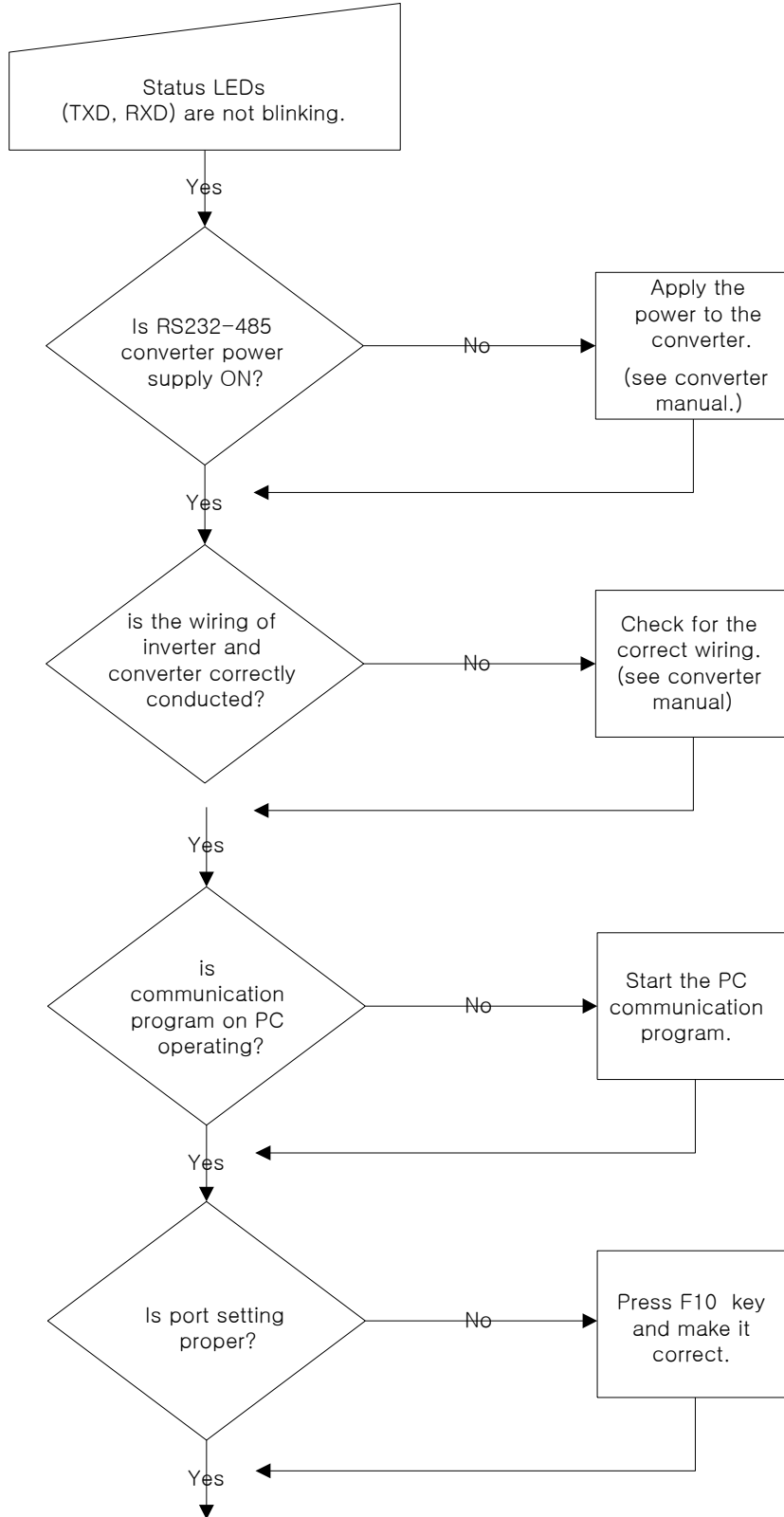
DRV	9100 - 91FF
FU1	9200 - 92FF
FU2	9300 - 93FF
I/O	9400 - 94FF
EXT	9500 - 95FF
COM	9600 - 96FF
APP	9700 - 97FF

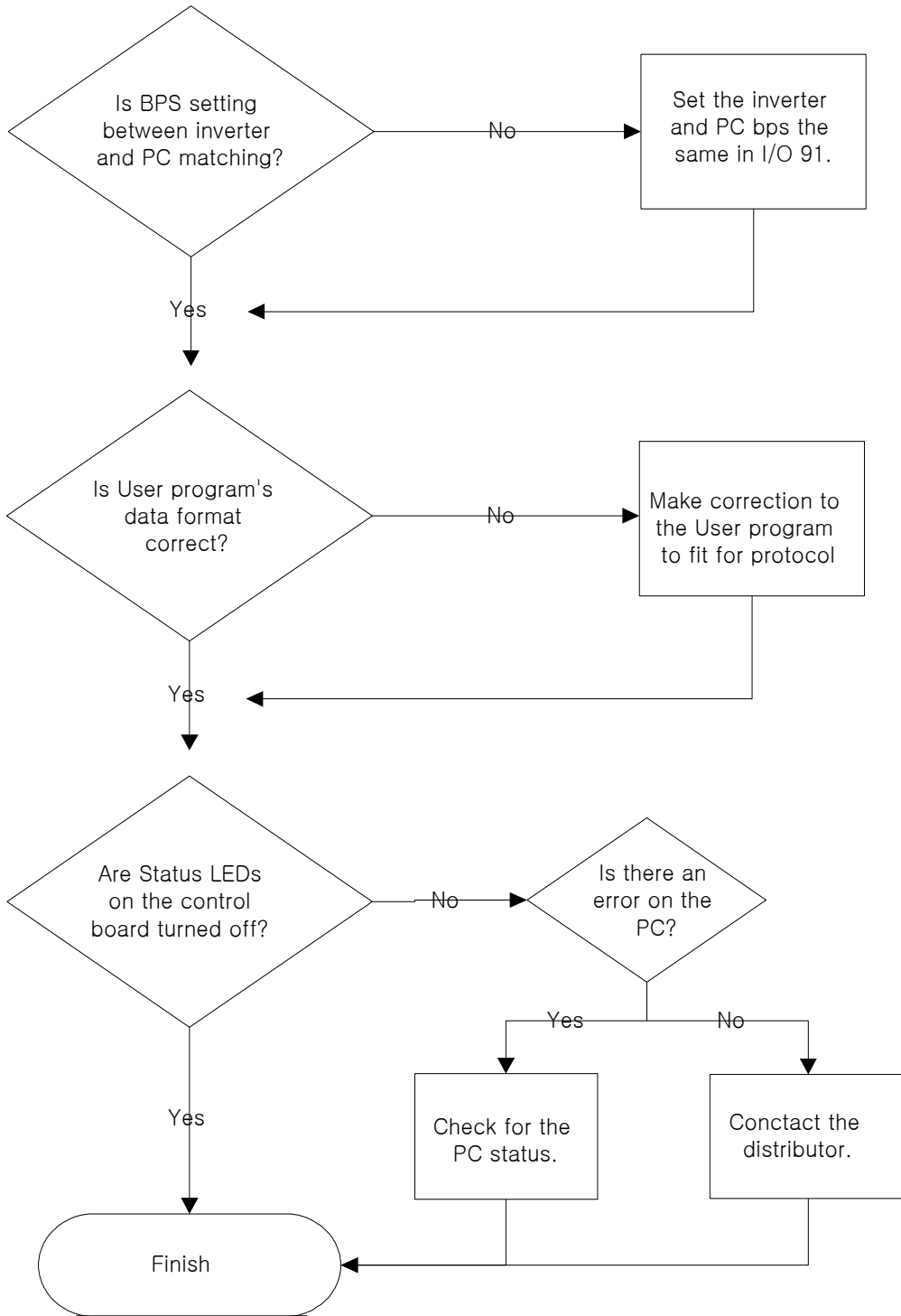
Address setting method to access the parameter using RS485: area assigned by inverter+ Address usage area by groups + Code no. (Hex).

Ex) To check the content of I/O-93 [COM Time Out], perform Read or Write the address 0x945D.

9.6 Troubleshooting

Refer to the below chart when RS485 communication error occurs.





9.7 ASCII Code List

Character	Hex	Character	Hex	Character	Hex
A	41	q	71	@	40
B	42	r	72	[5B
C	43	s	73	\	5C
D	44	t	74]	5D
E	45	u	75		5E
F	46	v	76		5F
G	47	w	77		60
H	48	x	78	{	7B
I	49	y	79		7C
J	4A	z	7A	}	7D
K	4B	0	30	~	7E
L	4C	1	31	BEL	07
M	4D	2	32	BS	08
N	4E	3	33	CAN	18
O	4F	4	34	CR	0D
P	50	5	35	DC1	11
Q	51	6	36	DC2	12
R	52	7	37	DC3	13
S	53	8	38	DC4	14
T	54	9	39	DEL	7F
U	55	space	20	DLE	10
V	56	!	21	EM	19
W	57	"	22	ACK	06
X	58	#	23	ENQ	05
Y	59	\$	24	EOT	04
Z	5A	%	25	ESC	1B
A	61	&	26	ETB	17
B	62	'	27	ETX	03
C	63	(28	FF	0C
D	64)	29	FS	1C
E	65	*	2A	GS	1D
F	66	+	2B	HT	09
G	67	,	2C	LF	0A
H	68	-	2D	NAK	15
I	69	.	2E	NUL	00
J	6A	/	2F	RS	1E
K	6B	:	3A	S1	0F
L	6C	;	3B	SO	0E
M	6D	<	3C	SOH	01
N	6E	=	3D	STX	02
O	6F	>	3E	SUB	1A
P	70	?	3F	SYN	16
				US	1F
				VT	0B

CHAPTER 10 - APPLYING DRIVES TO SINGLE-PHASE INPUT APPLICATION

10.1 Introduction

SV-IP5A is a three-phase standard variable frequency drive(VFD). When applying single-phase power to a three-phase VFD, there are several constraints that need to be considered. Standard Pulse-Width-Modulated (PWM) VFDs use a 6-pulse diode rectifier. The 6-pulse rectification results in 360 Hz DC bus ripple when used with a three-phase 60 Hz supply. However, under single-phase use, the DC bus ripple becomes 120 Hz and the VFDs DC bus circuit is subject to higher stress in order to deliver equivalent power. Additionally, input currents and harmonics increase beyond those encountered with three-phase input. Input current distortion of 90% THD and greater can be expected under single-phase input, compared to approximately 40% with three-phase input as indicated in Figure 2. Therefore, single-phase use requires the three-phase VFD power rating be reduced (derated) to avoid over stressing the rectifier and DC link components.

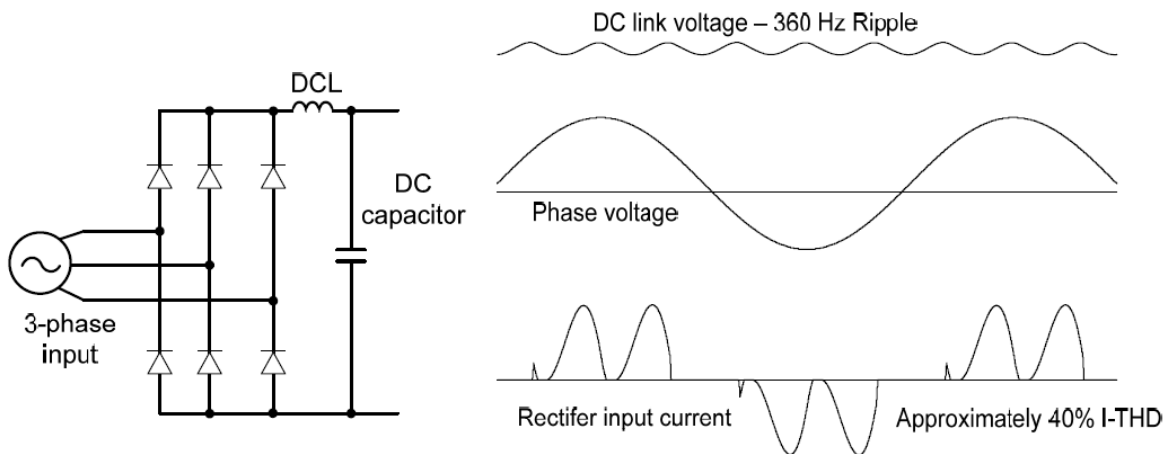


Figure-1 Typical Three-Phase Configuration

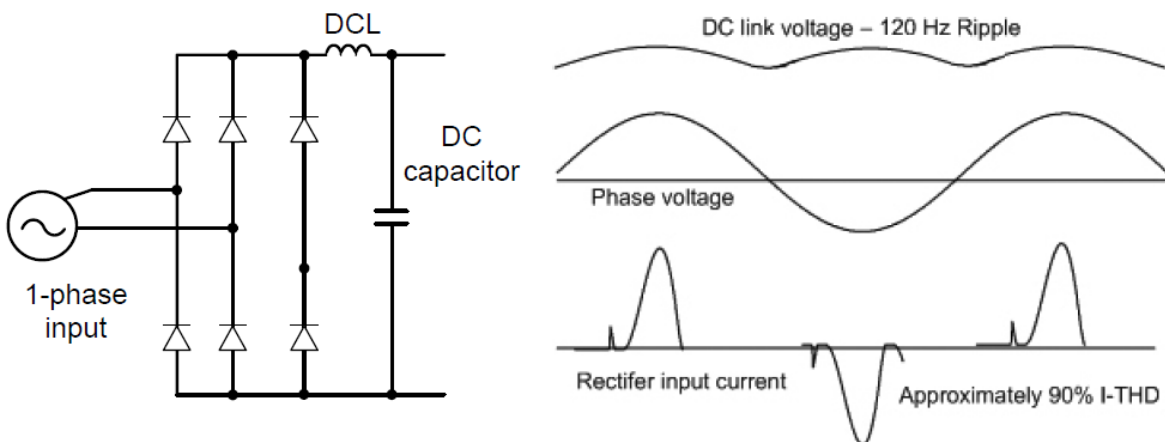


Figure-2 Typical Single-Phase Configuration

10.2 Power(HP), Input Current and Output Current

When using a three-phase VFD with single-phase input, derating the drive's output current and horsepower will be necessary because of the increase in DC bus ripple voltage and current. In addition, the input current through the remaining two phases on the diode bridge converter will approximately double, creating another derating consideration for the VFD. Input current harmonic distortion will increase beyond that with a three-phase supply making the overall input power factor low. Input current distortion over 100% is likely under single-phase conditions without a Reactor. Therefore, the Reactor is always required. When using a motor that is selected by the three-phase drive rating criteria when using single-phase input, it may result in poor performance, premature drive failure.

The selected drive of single-phase current ratings must meet or exceed the motor current ratings as indicated in Table 1.

10.3 Input Frequency and Voltage Tolerance

The drive ratings in Table 1 are valid for 60Hz input only. Operation at input frequencies other than 60Hz will require further review by LSIS.

The AC supply voltage must be within the required voltage range of 240/480Vac +10% to -5% to maximize motor power production. Standard product with three-phase voltage input as an allowable range of +10% to -15%. Therefore, a stricter input voltage tolerance of +10 to -5% applies when using the drive with a single-phase supply.

The average bus voltage with single-phase input is lower than the equivalent of a three-phase input. Therefore, the maximum output voltage (motor voltage) will be lower with a single-phase input. The minimum input voltage must be no less than 228Vac for 240 volt models and 456Vac for 480 volt models, to ensure motor voltage production of 207Vac and 415Vac, respectively. Thus, if full motor torque must be developed near base speed (full power) it will be necessary to maintain a rigid incoming line voltage so that adequate motor voltage can be produced. Operating a motor at reduced speed (reduced power), or using a motor with a base voltage that is lower than the incoming AC supply rating (ex. 208Vac motor with a 240Vac supply), will also minimize the effect of voltage deprivation.

(240VAC Input → 208V motor, 480VAC Input → 400V motor)

10.4 Wiring and Peripheral Device

It is important that input wiring and branch circuit protection be selected based on the drive's single-phase input current rating indicated in Table 1-2.

The single-phase input current after derating differs from the three-phase input indicated on the VFD nameplate. Connect single-phase AC input wiring below Figure-3 (R(L1)-T(L3)).

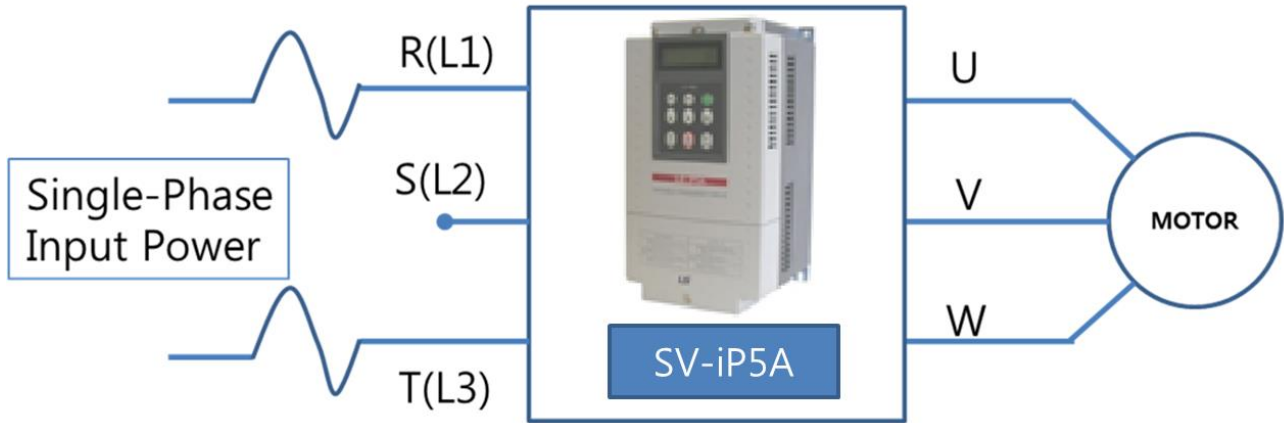


Figure-3 Terminal Wiring Diagram

Single-Phase Rating (240V/60Hz)											
[kW]	[HP]	Single-Phase Current Rating				Wire Selection		FUSE		MCCB	Electronic Contactor
		Output Amp		Input Amp		AWG		[A]	[V]		
		HD [A]	ND [A]	HD [A]	ND [A]	R,S,T	U,V,W	LSIS(UL Type)			
5.5kW	7.5	17	24	8.5	12	10	10	40	500V	UTS150/50A	MC-32a
7.5kW	10	23	32	12	16	8	8	60		UTS150/60A	MC-40a
11kW	15	33	46	17	24	6	6	80		UTS150/100A	MC-50a
15kW	20	44	60	23	31	4	4	100		UTS150/125A	MC-65a
18.5kW	25	54	74	28	38	2	2	125		UTS150/150A	MC-100a
22kW	30	68	88	35	46	2	2	150		UTS250/175A	MC-130a
30kW	40	84	115	43	59	1/0	1/0	200		UTS250/225A	MC-150a

Table 1. Single_Phase Rating(240V/60Hz)

Single-Phase Rating (480V/60Hz)											
[kW]	[HP]	Single-Phase Current Rating				Wire Selection		FUSE		MCCB	Electronic Contactor
		Output Amp		Input Amp		AWG		[A]	[V]		
		HD [A]	ND [A]	HD [A]	ND [A]	R,S,T	U,V,W			LSIS(UL Type)	
5.5kW	7.5	8.8	12	4.8	6.6	12	12	20	500V	UTE100/30A	MC-22b
7.5kW	10	12	16	6.7	8.9	12	12	30		UTE100/30A	MC-22b
11kW	15	16	24	9.1	14	10	10	40		UTS150/50A	MC-40a
15kW	20	24	30	12	16	8	8	60		UTS150/60A	MC-50a
18.5kW	25	30	39	15	20	6	6	70		UTS150/60A	MC-50a
22kW	30	39	45	20	23	4	4	80		UTS150/100A	MC-65a
30kW	40	45	61	23	32	4	4	100		UTS150/125A	MC-75a
37kW	50	61	75	31	39	2	2	125		UTS150/150A	MC-105a
45kW	60	75	91	39	47	2	2	150		UTS250/200A	MC-130a
55kW	75	91	110	47	57	2	2	175		UTS250/250A	MC-150a
75kW	100	110	152	57	78	1/0	1/0	250		UTS400/300A	MC-185a
90kW	120	152	183	79	95	1/0	1/0	300		UTS400/350A	MC-225a
110kW	150	183	223	95	116	4/0	4/0	350		UTS400/400A	MC-330a
132kW	180	223	264	113	134	4/0	4/0	400		UTS600/500A	MC-400a
160kW	225	264	325	135	166	300	300	450	UTS600/600A	MC-400a	

Table 2. Single-Phase Rating(480V/60Hz)

10.5 Considerations When Using a Three-Phase Drive with Single-Phase Input

Depending on the increased DC ripple, sensorless mode may result in poor performance, If phase open trip occurs, cancel the input phase open protection bit setting (FU1-69)

When applying single-phase power to a three-phase VFD, you can not limit the current to exceed the single-phase rating. Therefore, motor capacity, motor overload trip and E-thermal function must be set to protect motor.

The Reactor is always required. Therefore, Please purchase a built-in DC reactor product. IP5A 200V 5.5 ~ 30kW, 400V 5.5 ~ 11kW capacity products does not have a built-in DC reactor. The product does not have a built-in DC reactor, install an external AC reactor because it can not be equipped with a DC reactor.

APPENDIX A- UL MARKING

1. SHORT CIRCUIT RATING

“Suitable For Use On A Circuit Capable Of Delivering Not More Than Table1 RMS Symmetrical Amperes, 240V for 240V rated inverters, 480V for 480V rated inverters, 600V for 600V rated inverters Volts Maximum,”

Table 1. RMS Symmetrical Amperes for iP5A series.

Model	Rating
SV055iP5A-2, SV055iP5A-4,SV0055iP5A-6, SV075iP5A-2,SV075iP5A-4 SV0075iP5A-6, SV110iP5A-2,SV110iP5A-4,SV0110iP5A-6, SV0150iP5A-2, SV150iP5A-4, SV0150iP5A-6, SV185iP5A-2, SV185iP5A-4, SV0185iP5A-6, SV220iP5A-2, SV220iP5A-4, SV0220iP5A-6, SV300iP5A-2, SV300iP5A-4, , SV0300iP5A-6, SV370iP5A-4,SV0370iP5A-6, SV450iP5A-4, SV0450iP5A-6, SV550iP5A-4, SV0550iP5A-6, SV750iP5A-4, SV0750iP5A-6, SV900iP5A-4, SV0900iP5A-6, SV1100iP5A-4, SV1100iP5A-6, SV1320iP5A-4, SV1600iP5A-4, SV2200iP5A-4, SV2800iP5A-4, SV3150iP5A-4, SV3750iP5A-4, SV4500iP5A-4	100,000A

2. SHORT CIRCUIT FUSE/BREAKER

Use Class H or K5 UL Listed Input Fuse and UL Listed Breaker Only. See the table below for the Voltage and Current rating of the fuses and the breakers.

Input Voltage	Motor [kW]	Inverter	External Fuse		Breaker		Internal Fuse			
			Current [A]	Voltage [V]	Current [A]	Voltage [V]	Current [A]	Voltage [V]	Manufacturer	Model Number
200V Class	5.5	SV055iP5A-2	40	500	50	230				
	7.5	SV075iP5A-2	60	500	60	230				
	11	SV110iP5A-2	80	500	100	230				
	15	SV150iP5A-2	100	500	100	230				
	18.5	SV185iP5A-2	125	500	225	230				
	22	SV220iP5A-2	150	500	225	230				
400V Class	30	SV300iP5A-2	200	500	225	230				
	5.5	SV055iPS5-4	20	500	30	460				
	7.5	SV075iP5A-4	30	500	30	460				
	11	SV110iPS5-4	40	500	50	460				
	15	SV150iP5A-4	60	500	60	460				
	18.5	SV185iP5A-4	70	500	75	460				
	22	SV0220iP5A-4	80	500	100	460				
	30	SV0300iP5A-4	100	500	125	460				
	37	SV0370iP5A-4	125	500	125	460	160	660	Hinode	660GH-160SUL
	45	SV0450iP5A-4	150	500	150	460	160	660	Hinode	660GH-160SUL
	55	SV0550iP5A-4	175	500	175	460	200	660	Hinode	660GH-200SUL
	75	SV0750iP5A-4	250	500	225	460	250	660	Hinode	660GH-250SUL
	90	SV0900iP5A-4	300	500	300	460	315	660	Hinode	660GH-315SUL
	110	SV01100iP5A-4	350	700	400	460	200×2P	660	Hinode	660GH-200SUL×2P
	132	SV01320iP5A-4	400	700	500	460	250×2P	660	Hinode	660GH-250SUL×2P
	160	SV01600iP5A-4	450	700	600	460	315×2P	660	Hinode	660GH-315SUL×2P
220	SV02200iP5A-4	700	700	800	460	250×3P	660	Hinode	660GH-250SUL×3P	
280	SV02800iP5A-4	800	700	1000	460	315×3P	660	Hinode	660GH-315SUL×3P	
315	SV03150iP5A-4	900	700	1000	460	800	690	Ferraz	6.9URD32TTF0800	
375	SV03750iP5A-4	1000	700	1200	460	900	690	Ferraz	6.9URD32TTF0900	
450	SV04500iP5A-4	1200	700	1200	460	1000	690	Ferraz	6.9URD32TTF1000	
600V Class	5.5	SV055iPS5-4	20	600	30	600				
	7.5	SV075iP5A-4	30	600	30	600				

APPENDIX A- UL MARKING

Input Voltage	Motor [kW]	Inverter	External Fuse		Breaker		Internal Fuse			
			Current [A]	Voltage [V]	Current [A]	Voltage [V]	Current [A]	Voltage [V]	Manufacturer	Model Number
	11	SV110iPS5-4	40	600	50	600				
	15	SV150iP5A-4	60	600	60	600				
	18.5	SV185iP5A-4	70	600	75	600				
	22	SV0220iP5A-4	80	600	100	600				
	30	SV0300iP5A-4	100	600	125	600				
	37	SV0370iP5A-4	125	600	125	600	160	660	Hinode	660GH-160SUL
	45	SV0450iP5A-4	150	600	150	600	160	660	Hinode	660GH-160SUL
	55	SV0550iP5A-4	175	600	175	600	200	660	Hinode	660GH-200SUL
	75	SV0750iP5A-4	250	600	225	600	250	660	Hinode	660GH-250SUL
	90	SV0900iP5A-4	300	600	300	600	315	660	Hinode	660GH-315SUL
	110	SV01100iP5A-4	350	600	400	600	200×2P	660	Hinode	660GH-200SUL×2P

3. OVER LOAD PROTECTION

IOLT: IOLT(Inverter Overload Trip) protection is activated at 110% of the inverter rated current for 1 minute and greater.

Warning!

If the occurrence of IOLT is happened, Trip will be continued during 1 minute for the cooling of the inverter. In case of 600V product, the operation time of IOLT will be reduced at above 600Vac.

OLT : Inverter shuts off its output when inverter output current exceeds its overload trip level for overload trip time. OLT is selected when FU1-66 [Overload Trip Selection] is set to “Yes” and activated at 120% of FU1-67 [Overload Trip Level] for 60 sec set in FU1-68 [Overload Trip Delay Time].

4. OVER SPEED PROTECTION

Not Provided With Overspeed Protection.

5. FIELD WIRING TERMINAL

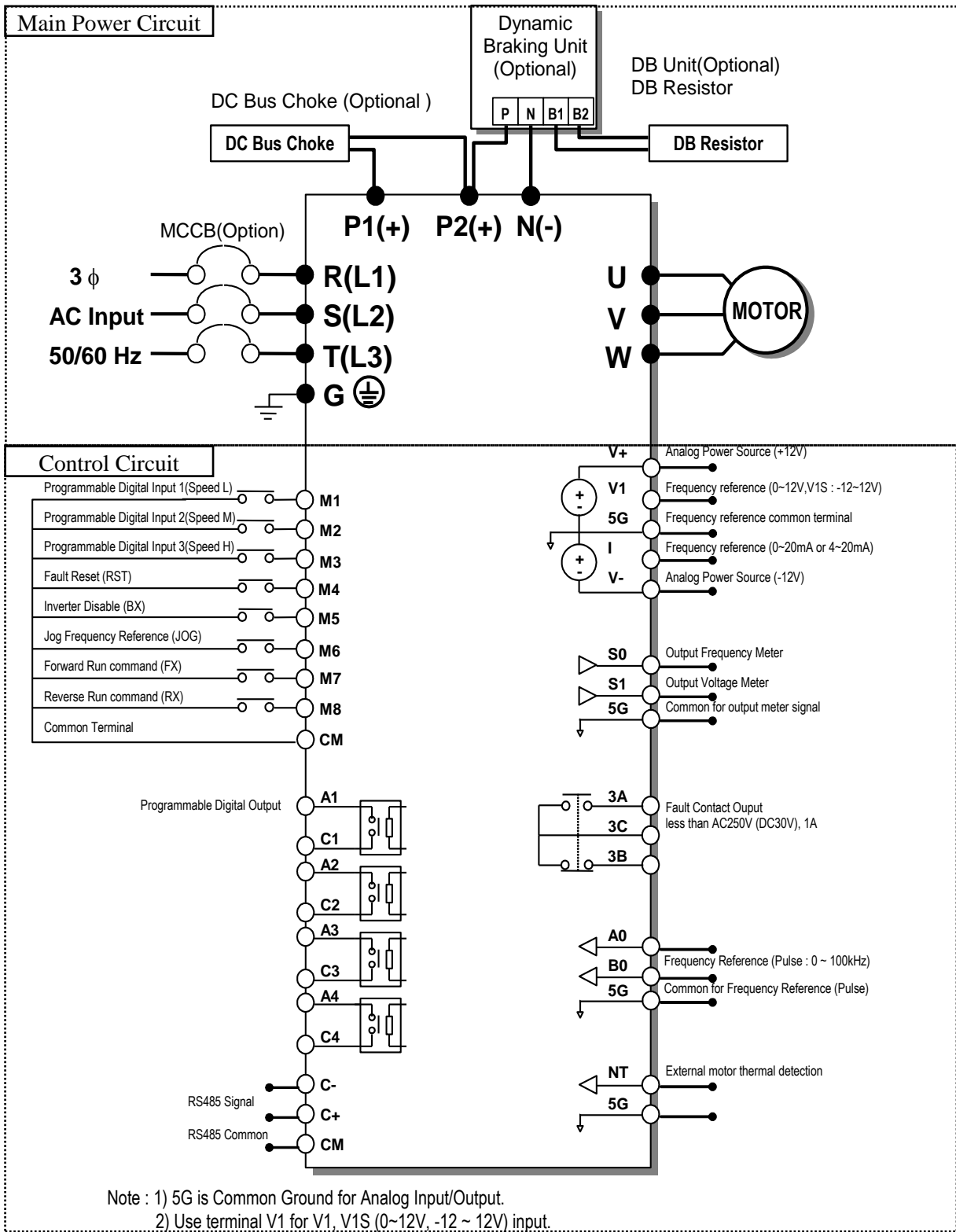
- 1) Use copper wires only with 600V, 75 °C ratings
- 2) Tightening torque of power terminal blocks

Inverter Capacity [kW]		Terminal Screw Size	Screw Torque ¹		Wire ²			
			Kgf-cm	lb-in	mm ²		AWG or kcmil	
					R,S,T	U,V,W	R,S,T	U,V,W
200V Class	5.5	M4	7.1 ~ 12.2	6.2~10.6	5.5	5.5	10	10
	7.5	M5			8	8	8	8
	11	M5	24.5 ~ 31.8	21.2~27.6	14	14	6	6
	15	M6			22	22	4	4
	18.5	M6	30.6 ~ 38.2	26.6~33.2	38	38	2	2
	22	M8			38	38	2	2
30	M8	61.2 ~ 91.8	53.1~79.7	60	60	1/0	1/0	
400V Class	5.5	M4	7.1 ~ 12.2	6.2~10.6	3.5	3.5	12	12
	7.5	M4			3.5	3.5	12	12
	11	M4			5.5	5.5	10	10
	15	M6	30.6~38.2	26.6~33.2	8	8	8	8
	18.5	M6			14	14	6	6
	22	M8	61.2~91.8	53.1~79.7	22	22	4	4
	30	M8			22	22	4	4
	37	M8	67.3~87.5	58.4~75.9	38	38	2	2
	45	M8			38	38	2	2
	55	M8			38	38	2	2
	75	M10	89.7~122.0	77.9~105.9	60	60	1/0	1/0
	90	M10			60	60	1/0	1/0
	110	M12	182.4~215.0	158.3~186.6	100	100	4/0	4/0
	132	M12			100	100	4/0	4/0
	160	M12			150	150	300	300
	220	M12			200	200	400	400
280	M12	182.4~215.0	158.3~186.6	250	250	500	500	
315	M12			325	325	700	700	
375	M12			2×200	2×200	2×400	2×400	
450	M12			2×250	2×250	2×500	2×500	
600V Class	5.5	M4	2.0~6.1	1.8~5.2	3.5	3.5	12	12
	7.5	M4			3.5	3.5	12	12
	11	M4			5.5	5.5	10	10
	15	M6	30.6~38.2	26.6~33.2	8	8	8	8
	18.5	M6			14	14	6	6
	22	M8	61.2~91.8	53.1~79.7	22	22	4	4
	30	M8			22	22	4	4
	37	M8	67.3~87.5	58.4~75.9	38	38	2	2
	45	M8			38	38	2	2
	55	M8			38	38	2	2
	75	M10	89.7~122.0	77.9~105.9	60	60	1/0	1/0
90	M10	60			60	1/0	1/0	
110	M12	182.4~215.0	158.3~186.6	100	100	4/0	4/0	

Apply the rated torque to terminal screws. Loose screws can cause of short circuit or malfunction. Tightening the screws too much can damage the terminals and cause a short circuit or malfunction.

- 3) For 7.5~11kW 240V type inverters, Input and motor output terminal blocks are intended only for use with ring type connectors.

6. BASIC WIRING



CAUTION	
	<p>■ Risk of Electric Shock</p> <p>More than one disconnect switch may be required to de-energize the equipment before servicing.</p>

APPENDIX B- PERIPHERAL DEVICES

1. MCCB(Molded Case Circuit Breaker) ELCB and MC(Magnetic Contector)

Voltage	CAP. [kW]	MCCB				ELCB		MC	
		Model	Rating[A]	Model	Rating[A]	Model	Rating[A]	Model	Rating[A]
200V Class	0.75	UTE100N	15	ABS33c	15	EBS33c	10	MC-9b	11
	1.5		15		15		15	MC-9b	11
	2.2		30		30		30	MC-12b	13
	3.7		30		30		30	MC-18b	18
	5.5	UTS150L	50	ABS53c	50	EBS53c	50	MC-32a	32
	7.5		60	ABS63c	60	EBS63c	60	MC-40a	40
	11		100	ABS103c	100	EBS103c	100	MC-50a	55
	15	125	125		EBS203c	125	MC-65a	65	
	18.5	150	150	150		MC-100a	105		
	22	UTS250L	175	ABS203c		175	175	MC-130a	130
30	225		225			225	MC-150a	150	
400V Class	0.75	UTE100N	15	ABS33c	15	EBS33c	15	MC-9b	9
	1.5		15		15		15		9
	2.2		15		15		15		9
	3.7		15		15		15	MC-12b	12
	5.5		30		30		30	MC-22b	22
	7.5		30		30		30		22
	11	UTS150L	50	ABS53c	50	EBS53c	50	MC-40a	40
	15		60	ABS63c	60	EBS63c	60	MC-50a	50
	18.5		60		60	EBS103c	60		50
	22		100	ABS103c	100	EBS103c	100	MC-65a	65
	30		125	ABS203c	125	EBS203c	125	MC-75a	75
	37	150	150		150		MC-100a	105	
	45	UTS250L	200		200		200	MC-130a	130
	55		250		250		250	MC-150a	150
	75	UTS400L	300	ABS403c	300	EBS403c	300	MC-185a	185
	90		350		350		350	MC-225a	225
	110		400		400		400	MC-330a	330
	132	UTS600L	500	ABS603c	500	EBS603c	500		400
	160		600		630		630	MC-400a	400
	220	UTS800L	800	ABS803c	800	EBS803c	800	MC-630a	630
280	UTS1200L	1000	ABS1003b	1000	EBS1003c	1000	630		
315		1200	ABS1203b	1200	EBS1203c	1200	MC-800a	800	
375	1400A	1400	1400A	1400	1400A	1400	900A	900	
450	1600A	1600	1600A	1600	1600A	1600	1000A	1000	
600V Class	5.5	UTE100N	30	ABS33c	30	-	-	MC-22b	20
	7.5	UTS150L	50	ABS53c	50	-	-	MC-40a	32
	11		60	ABS63c	60	-	-	MC-50a	43
	15		60		60	-	-		43
	18.5		100	ABS103c	100	-	-	MC-65a	60

APPENDIX B- PERIPHERAL DEVICES

Voltage	CAP. [kW]	MCCB				ELCB		MC	
		Model	Rating[A]	Model	Rating[A]	Model	Rating[A]	Model	Rating[A]
	22	UTS250L	100	ABS203c	100	-		MC-75a	64
	30		125		125	-		MC-100a	85
	37		150		150	-		MC-130a	90
	45		175		175	-		MC-150a	100
	55	250	250	-		MC-185a	180		
	75	UTS400L	300	ABS403c	300	-		MC-225a	200
	90		400		400	-		MC-330a	280
	110	UTS150L	50	ABS53c	50	-		MC-40a	32

2. AC Input Fuse and AC / DC Reactor

Voltage	Mortor [kW]	Inverter Model	AC Input Fuse [A]	AC Reactor		DC Reactor	
				[mH]	[A]	[mH]	[A]
200V Class	0.75	SV008iP5A-2	10	2.13	5.7	-	-
	1.5	SV015iP5A-2	15	1.2	10	-	-
	2.2	SV022iP5A-2	20	0.88	14	-	-
	3.7	SV037iP5A-2	30	0.56	20	-	-
	5.5	SV055iP5A-2	40	0.39	30	1.37	29
	7.5	SV075iP5A-2	60	0.28	40	1.05	38
	11	SV110iP5A-2	80	0.20	59	0.74	56
	15	SV150iP5A-2	100	0.15	75	0.57	71
	18.5	SV185iP5A-2	125	0.12	96	0.49	91
	22	SV220iP5A-2	150	0.10	112	0.42	107
400V Class	30	SV300iP5A-2	200	0.07	160	0.34	152
	0.75	SV008iP5A-4	10	8.63	2.8	-	-
	1.5	SV015iP5A-4	10	4.81	4.8	-	-
	2.2	SV022iP5A-4	10	3.23	7.5	-	-
	3.7	SV037iP5A-4	15	2.34	10	-	-
	5.5	SV055iP5A-4	20	1.22	15	5.34	14
	7.5	SV075iP5A-4	30	1.14	20	4.04	19
	11	SV110iP5A-4	40	0.81	30	2.76	29
	15	SV150iP5A-4	60	0.61	38	2.18	36
	18.5	SV185iP5A-4	70	0.45	50	1.79	48
	22	SV220iP5A-4	80	0.39	58	1.54	55
	30	SV300iP5A-4	100	0.287	80	1.191	76
	37	SV370iP5A-4	125	0.232	98	0.975	93
	45	SV450iP5A-4	150	0.195	118	0.886	112
	55	SV550iP5A-4	175	0.157	142	0.753	135
	75	SV750iP5A-4	250	0.122	196	0.436	187
	90	SV900iP5A-4	300	0.096	237	0.352	225
	110	SV1100iP5A-4	350	0.081	289	Built-in	
	132	SV1300iP5A-4	400	0.069	341	Built-in	
	160	SV1600iP5A-4	450	0.057	420	Built-in	
220	SV2200iP5A-4	700	0.042	558	Built-in		
280	SV2800iP5A-4	800	0.029	799	Built-in		
315	SV3150iP5A-4	900	0.029	799	0.090	836	
375	SV3750iP5A-4	1000	0.024	952	0.076	996	
450	SV4500iP5A-4	1200	0.024	952	0.064	1195	

APPENDIX B- PERIPHERAL DEVICES

600V Class	5.5	SV0055iP5A-6	15	2.45	12	9.32	11
	7.5	SV0075iP5A-6	20	1.80	16	6.27	15
	11	SV0110iP5A-6	30	1.23	23	4.60	22
	15	SV0150iP5A-6	40	0.900	32	3.82	30
	18.5	SV0185iP5A-6	50	0.730	39	2.80	37
	22	SV0220iP5A-6	60	0.614	47	2.27	44
	30	SV0300iP5A-6	80	0.450	63	1.91	60
	37	SV0370iP5A-6	100	0.365	78	1.40	75
	45	SV0450iP5A-6	125	0.300	95	1.13	91
	55	SV0550iP5A-6	150	0.245	116	0.933	111
	75	SV0750iP5A-6	175	0.180	159	0.763	151
	90	SV0900iP5A-6	250	0.150	190	0.560	181

APPENDIX C- RELATED PARAMETERS

Use	Related parameter codes
Accel/Decel time, Pattern Adjustment	DRV-01 [Acceleration Time], DRV-02 [Deceleration Time], FU1-02 [Acceleration Pattern], FU1-03 [Deceleration Pattern]
Reverse Rotation Prevention	FU1-01 [Forward/Reverse Prevention]
Accel/Decel at Continuous Rating Range	FU1-02 [Acceleration Pattern], FU1-03 [Deceleration Pattern]
Braking Operation Adjustment	FU1-20 [Starting Mode], FU1-21~22 [DC Injection Braking at Starting] FU1-23 [Stop Mode], FU1-24~27 [DC Injection Braking],
Operations at freq. Over 60 Hz	FU1-30 [Max. Frequency], FU1-35 [Frequency High Limit], I/O-05 [Frequency Corresponding to V1 Max Voltage], I/O-10 [Frequency Corresponding to I Max Current], I/O-16 [Frequency Corresponding to P Pulse Input Max Freq.]
Selecting an Appropriate Output Characteristics for the Load	FU1-30 [Max. Frequency], FU1-31 [Base Frequency]
Motor Output Torque Adjustment	FU1-32 [Starting Frequency], FU1-71[Stall Prevention], FU2-67~69 [Torque Boost], FU2-40 [Motor Select]
Output Frequency Limit	FU1-33~35[Frequency High/Low Limit], I/O-01~16 [Analog Frequency Setting]
Motor Overheat Protection	FU1-60~62 [Electronic Thermal], FU2-40 [Motor Select] I/O-97, 98 [External Thermal Sensor]
Multi-step Operation	I/O-20~27 [Programmable Digital Input Define], DRV-00, 05~07,I/O-31~42 [Multi-step Frequency], FU1-34~35 [Frequency High/Low Limit]
Jog Operation	I/O-30 [Jog Frequency]
Frequency Jump Operation	FU2-10 [Frequency Jump] FU2-11~16 [Frequency High/Low Limit]
Electronic Brake Operation Timing	I/O-74~75 [Frequency Detection], I/O-76~79 [Programmable Digital Output Define]
Rotating Speed Display	DRV-09 [Motor Rpm], FU2-47 [Motor Rpm Display Gain]
Function Change Prevention	FU2-94 [Parameter Lock]
Energy Saving	FU1-51~52 [Energy Saving]
Auto Restart Operation after Alarm Stop	FU2-20~21 [Auto Restart]
2 nd Motor Operation	APP-20~29 [2 nd Function]
PID Feedback Operation	APP-02~25 [PID Operation]
Adjusting Frequency Reference/Output	I/O-01~16 [Analog Frequency Setting]
Commercial Line<-> Inverter Switchover	I/O-20~27 [Programmable Digital Input Terminal], I/O-76~79 [Programmable Digital Output Terminal]
Frequency Meter Calibration	I/O-70~73 [S0/S1 Analog Output]
Operation via Communication with a PC	I/O-90 [Inverter Number], I/O-91 [Communication Speed], I/O-92~93 [Lost Command]

EC DECLARATION OF CONFORMITY

We, the undersigned,

Representative: **LSIS Co., Ltd.**
Address: **LS Tower, 127, LS-ro, Dongan-gu,
Anyang-si, Gyeonggi-do,
Korea**

Manufacturer: **LSIS Co., Ltd.**
Address: **56, Samsung 4-gil, Mokchon-Eup,
Chonan-si, Chungnam,
Korea**

Certify and declare under our sole responsibility that the following apparatus:

Type of Equipment: **Inverter (Power Conversion Equipment)**

Model Name: **SV-IP5A series**

Trade Mark: **LSIS Co., Ltd.**

Conforms with the essential requirements of the directives:

2014/35/EU Directive of the European Parliament and of the Council on the harmonisation of the laws of the Member States relating to the making available on the market of electrical equipment designed for use within certain voltage limits

2014/30/EU Directive of the European Parliament and of the Council on the harmonisation of the laws of the Member States relating to electromagnetic compatibility

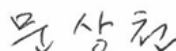
Based on the following specifications applied:

EN 61800-3:2004/A1:2012

EN 61800-5-1:2007

and therefore complies with the essential requirements and provisions of the 2014/35/CE and 2014/30/CE Directives.

Place: **Chonan, Chungnam,
Korea**



2016.1.13

(Signature Date)

Mr. Sang Chun Moon / General Manager
(Full name / Position)

EMI / RFI POWER LINE FILTERS

LS inverters, iP5A series



RFI FILTERS

THE L.S. RANGE OF POWER LINE FILTERS FF (Footprint) - FE (Standard) SERIES, HAVE BEEN SPECIFICALLY DESIGNED WITH HIGH FREQUENCY LS INVERTERS. THE USE OF L.S. FILTERS, WITH THE INSTALLATION ADVICE OVERLEAF HELP TO ENSURE TROUBLE FREE USE ALONG SIDE SENSITIVE DEVICES AND COMPLIANCE TO CONDUCTED EMISSION AND IMMUNITY STANDARDS TO EN 50081 -> EN61000-6-3:02 and EN61000-6-1:02

CAUTION

IN CASE OF A LEAKAGE CURRENT PROTECTIVE DEVICES IS USED ON POWER SUPPLY, IT MAY BE FAULT AT POWER-ON OR OFF. IN AVOID THIS CASE, THE SENSE CURRENT OF PROTECTIVE DEVICE SHOULD BE LARGER THAN VALUE OF LAKAGE CURRENT AT WORST CASE IN THE BELOW TABLE.

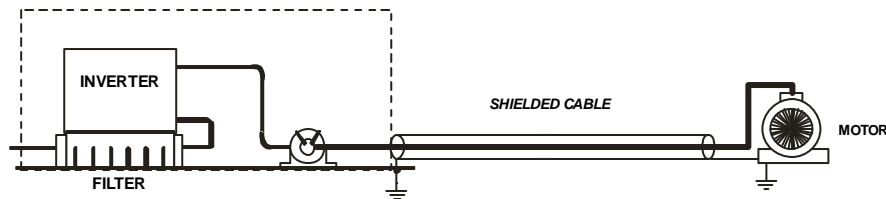
RECOMMENDED INSTALLATION INSTRUCTIONS

To conform to the EMC directive, it is necessary that these instructions be followed as closely as possible. Follow the usual safety procedures when working with electrical equipment. All electrical connections to the filter, inverter and motor must be made by a qualified electrical technician.

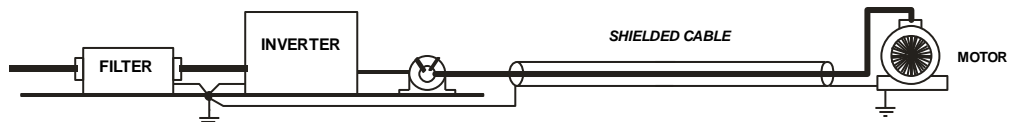
- 1-) Check the filter rating label to ensure that the current, voltage rating and part number are correct.
- 2-) For best results the filter should be fitted as closely as possible to the incoming mains supply of the wiring enclosure, usually directly after the enclosures circuit breaker or supply switch.
- 3-) The back panel of the wiring cabinet of board should be prepared for the mounting dimensions of the filter. Care should be taken to remove any paint etc... from the mounting holes and face area of the panel to ensure the best possible earthing of the filter.
- 4-) Mount the filter securely.
- 5-) Connect the mains supply to the filter terminals marked LINE, connect any earth cables to the earth stud provided. Connect the filter terminals marked LOAD to the mains input of the inverter using short lengths of appropriate gauge cable.
- 6-) Connect the motor and fit the ferrite core (output chokes) as close to the inverter as possible. Armoured or screened cable should be used with the 3 phase conductors only threaded twice through the center of the ferrite core. The earth conductor should be securely earthed at both inverter and motor ends. The screen should be connected to the enclosure body via and earthed cable gland.
- 7-) Connect any control cables as instructed in the inverter instructions manual.

IT IS IMPORTANT THAT ALL LEAD LENGTHS ARE KEPT AS SHORT AS POSSIBLE AND THAT INCOMING MAINS AND OUTGOING MOTOR CABLES ARE KEPT WELL SEPARATED.

FF SERIES (Footprint)

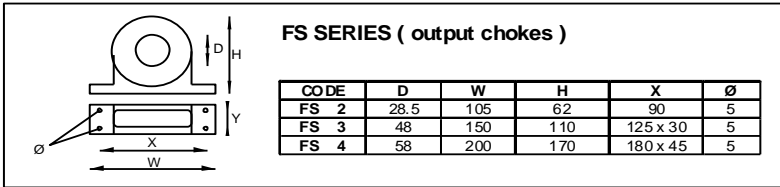


FE SERIES (Standard)



iP5A series / Footprint Filters										
INVERTER	POWER	CODE	CURRENT	VOLTAGE	LEAKAGE CURRENT	DIMENSIONS L W H	MOUNTING Y X	WEIGHT	MOUNT	OUTPUT CHOKES
THREE PHASE					NOM. MAX.					
SV055iP5A-2	5.5kW	FFP5-T030-(x)	30A	250VAC	0.3mA 18mA	329x149.5x50	315x120	2 Kg.	M5	FS – 2
SV075iP5A-2	7.5kW	FFP5-T050-(x)	50A	250VAC	0.3mA 18mA	329x199.5x60	315x160	2.5 Kg.	M5	FS – 2
SV110iP5A-2	11kW		100A	250VAC	0.3mA 18mA					FS – 3
SV150iP5A-2	15kW									
SV185iP5A-2	18kW									
SV220iP5A-2	22kW		120A	250VAC	0.3mA 18mA					FS – 3
SV300iP5A-2	30kW									
SV055iP5A-4	5.5kW	FFP5-T030-(x)	30A	380VAC	0.5mA 27mA	329x149.5x50	315x120	2 Kg.	M5	FS – 2
SV075iP5A-4	7.5kW	FFP5-T031-(x)	31A	380VAC	0.5mA 27mA	329x199.5x60	315x160	2.5 Kg.	M5	FS – 2
SV110iP5A-4	11kW	FFP5-T050-(x)	50A	380VAC	0.5mA 27mA	329x199.5x60	315x160	2.5 Kg.	M5	FS – 2
SV150iP5A-4	15kW	FFP5-T060-(x)	60A	380VAC	0.5mA 27mA	466x258x65	440.5x181	2.8 Kg.	M5	FS – 2
SV185iP5A-4	18kW									
SV220iP5A-4	22kW	FFP5-T070-(x)	70A	380VAC	0.5mA 27mA	541x312x65	515.5x235.3	6.1 Kg.	M8	FS – 2
SV300iP5A-4	30kW									
iP5A series / Standard Filters										
INVERTER	POWER	CODE	CURRENT	VOLTAGE	LEAKAGE CURRENT	DIMENSIONS L W H	MOUNTING Y X	WEIGHT	MOUNT	OUTPUT CHOKES
THREE PHASE					NOM. MAX.					
SV055iP5A-2	5.5kW	FE-T030-(x)	30A	250VAC	0.3mA 18mA	270x140x60	258x106	2.4 Kg.	---	FS – 2
SV075iP5A-2	7.5kW	FE-T050-(x)	50A	250VAC	0.3mA 18mA	270x140x90	258x106	3.2 Kg.	---	FS – 2
SV110iP5A-2	11kW	FE-T100-(x)	100A	250VAC	0.3mA 18mA	420x200x130	408x166	13.8 Kg.	---	FS – 3
SV150iP5A-2	15kW									
SV185iP5A-2	18kW	FE-T120-(x)	120A	250VAC	0.3mA 18mA	420x200x130	408x166	13.8 Kg.	---	FS – 3
SV220iP5A-2	22kW									
SV300iP5A-2	30kW	FE-T150-(x)	150A	250VAC	0.3mA 18mA	490x200x160	468x166	15 Kg.	---	FS – 3
SV055iP5A-4	5.5kW	FE-T030-(x)	30A	380VAC	0.5mA 27mA	270x140x60	258x106	2.4 Kg.	---	FS – 2
SV075iP5A-4	7.5kW									
SV110iP5A-4	11kW	FE-T050-(x)	50A	380VAC	0.5mA 27mA	270x140x90	258x106	3.2 Kg.	---	FS – 2
SV150iP5A-4	15kW									
SV185iP5A-4	18kW	FE-T060-(x)	60A	380VAC	0.5mA 27mA	270x140x90	258x106	3.5 Kg.	---	FS – 2
SV220iP5A-4	22kW	FE-T070-(x)	70A	380VAC	0.5mA 27mA	350x180x90	338x146	7.5 Kg.	---	FS – 3
SV300iP5A-4	30kW									
SV370iP5A-4	37kW	FE-T100-(x)	100A	380VAC	1.3mA 150mA	425x200x130	408x166	13.8 Kg.	---	FS – 3
SV450iP5A-4	45kW	FE-T120-(x)	120A	380VAC	1.3mA 150mA	425x200x130	408x166	13.8 Kg.	---	FS – 3
SV550iP5A-4	55kW									
SV750iP5A-4	75kW	FE-T170-(x)	170A	380VAC	1.3mA 150mA	480x200x160	468x166	16 Kg.	---	FS – 3
SV900iP5A-4	90kW	FE-T230-(x)	230A	380VAC	1.3mA 150mA	580x250x205	560x170	22.6 Kg.	---	FS – 4
SV1100iP5A-4	110kW	FE-T400-(x)	400A	380VAC	1.3mA 150mA	392x260x116	240x235	10.3 Kg.	---	FS – 4
SV1320iP5A-4	132kW									
SV1600iP5A-4	160kW	FE-T600-(x)	600A	380VAC	1.3mA 150mA	392x260x116	240x235	11 Kg.	---	FS – 4
SV2200iP5A-4	220kW									
SV2800iP5A-4	280kW	FE-T1000-(x)	1000A	380VAC	1.3mA 150mA	460x280x166	290x255	18 Kg.	---	FS – 4
SV3150iP5A-4	315kW									
SV3750iP5A-4	375kW									
SV4500iP5A-4	450kW	FE-T1600-(x)	1600A	380VAC	1.3mA 150mA	592x300x166	340x275	27 Kg.	---	FS – 4

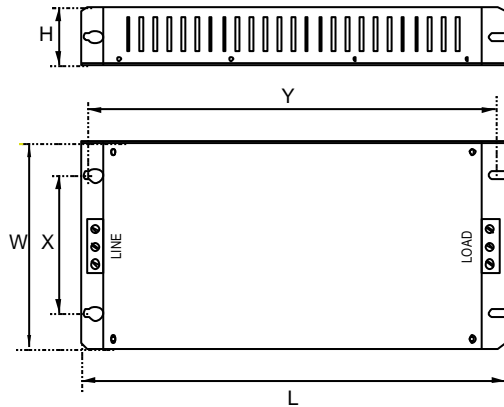
- (x) (1) Industrial environment EN50081-2 (A class) -> EN61000-6-4:02
(3) Domestic and industrial environment EN50081-1 (B class) -> EN61000-6-3:02



DIMENSIONS

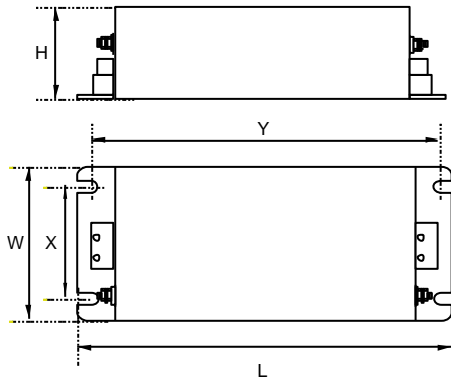
FF SERIES (Footprint)

FFP5-T030-(x) ~ FFP5-T070-(x)

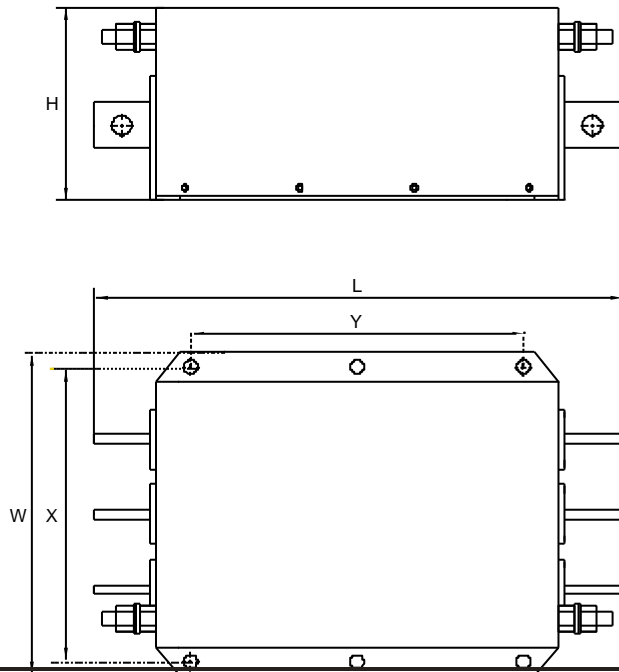


FE SERIES (Standard)

FE-T030-(x) ~ FE-T230-(x)



FE-T400-(x) ~ FE-T1600-(x)



Warranty

Maker	LSIS Co., Ltd.		Installation (Start-up) Date	
Model No.	SV-iP5A		Warranty Period	
Customer Information	Name			
	Address			
	Tel.			
Sales Office (Distributor)	Name			
	Address			
	Tel.			

Warranty period is 12 months after installation or 18 months after manufactured when the installation date is unidentified. However, the guarantee term may vary on the sales term.

■ IN-WARRANTY service information

If the defective part has been identified under normal and proper use within the guarantee term, contact your local authorized LS distributor or LS Service center.

■ OUT-OF WARRANTY service information

The guarantee will not apply in the following cases, even if the guarantee term has not expired.

Damage was caused by misuse, negligence or accident.

Damage was caused by abnormal voltage and peripheral devices' malfunction (failure).

Damage was caused by improper repair or altering by other than LS authorized distributor or service center.

Damage was caused by an earthquake, fire, flooding, lightning, or other natural calamities.

When LS nameplate is not attached.

When the warranty period has expired.

Revision History

No.	Date	Edition	Changes
1	October, 2004	First Release	-
2	June, 2005	2 nd Edition	CI changed
3	June, 2006	3 rd Edition	Revised for new kW(HP) ratings
4	November, 2006	4 th Edition	S/W Version up (V0.4)
5	December, 2006	5 th Edition	Contents added and revised
6	June, 2008	6 th Edition	Contents added and revised
7	April, 2009	7th Edition	New Controller contents added
8	April, 2011	8th Edition	600V Drive added
9	Dec, 2014	9 th Edition	SW version up 2.3 and error revised
10	DEC 2015	10 th Edition	Single-Phase input application added and DB unit revised
11	JAN 2016	11 th Edition	CE Doc revised